

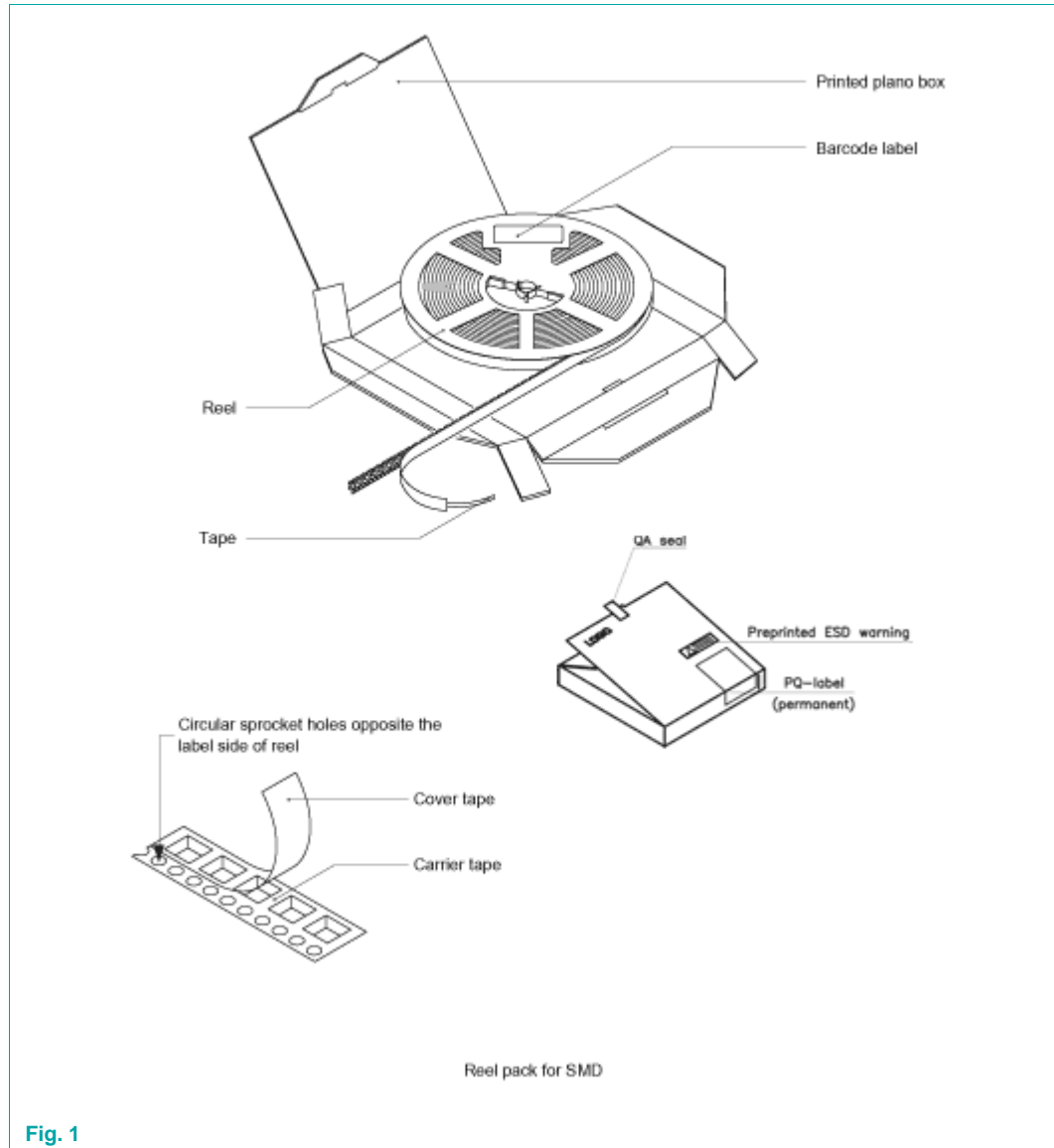
SOT762-1

Standard product orientation 12NC ending 115

Rev. 03 — 28 July 2011

Packing information

1. Packing method



Package version	12NC ending	Reel dimensions d x w (mm)	SPQ/PQ (pcs)	Reels per box	Outer box dimensions l x w x h (mm)
SOT762-1	115	180 x 12	2500	1	187 x 187 x 24

2. Product orientation

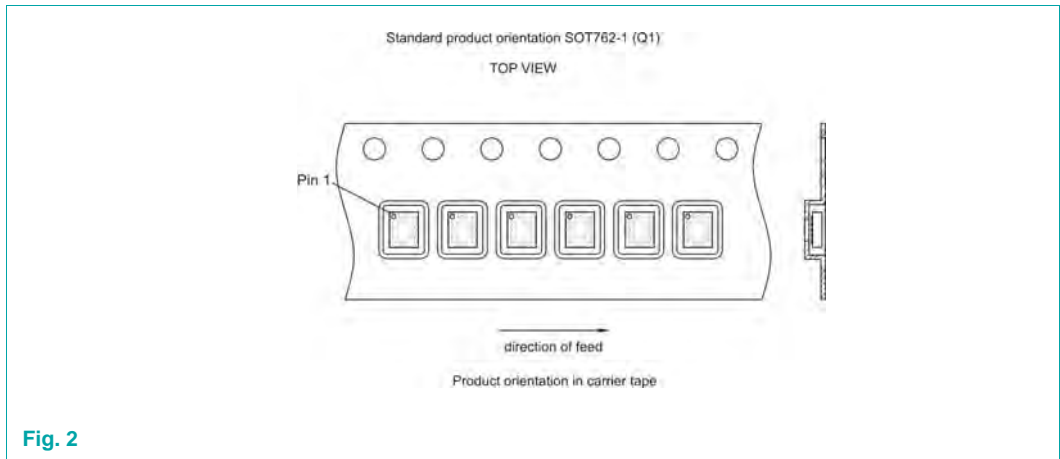


Fig. 2

3. Carrier tape dimensions

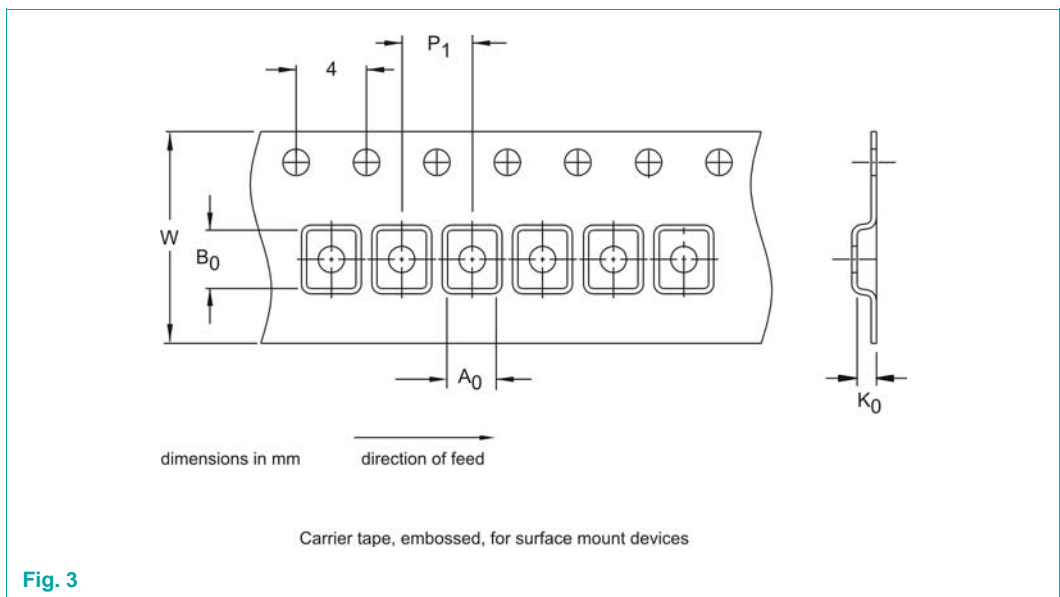


Fig. 3

A ₀ (mm)	B ₀ (mm)	K ₀ (mm)	T (mm)	P ₁ (mm)	W (mm)
2.80	3.30	1.1	-	4.0	12

4. Carrier tape dimensions

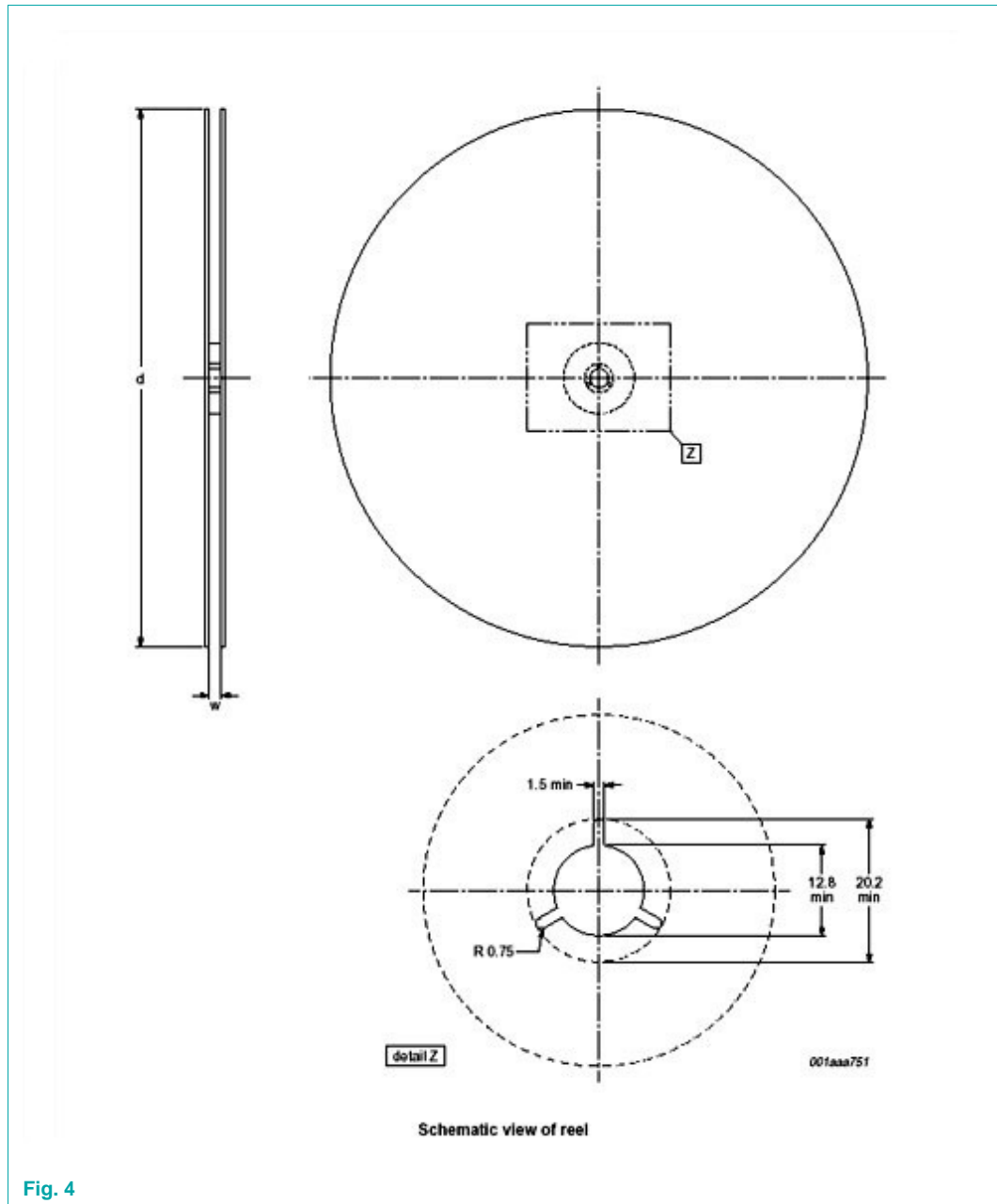


Fig. 4

Package version	12NC ending	Reel dimensions d x w (mm)	SPQ/PQ (pcs)
SOT762-1	115	180 x 12	2500

5. Barcode label box and reel information

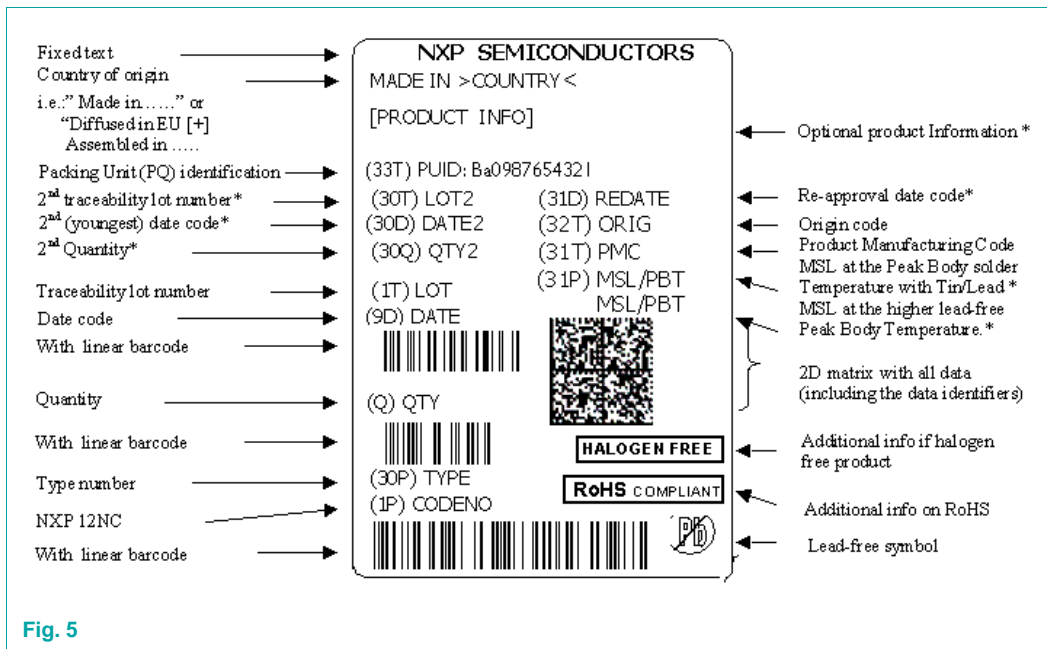


Fig. 5

Label dimensions	
l x w (mm)	
100	75