



# TJA1120, ASIL B Compliant Automotive Ethernet 1000BASE-T1 PHY Transceiver

## TJA1120

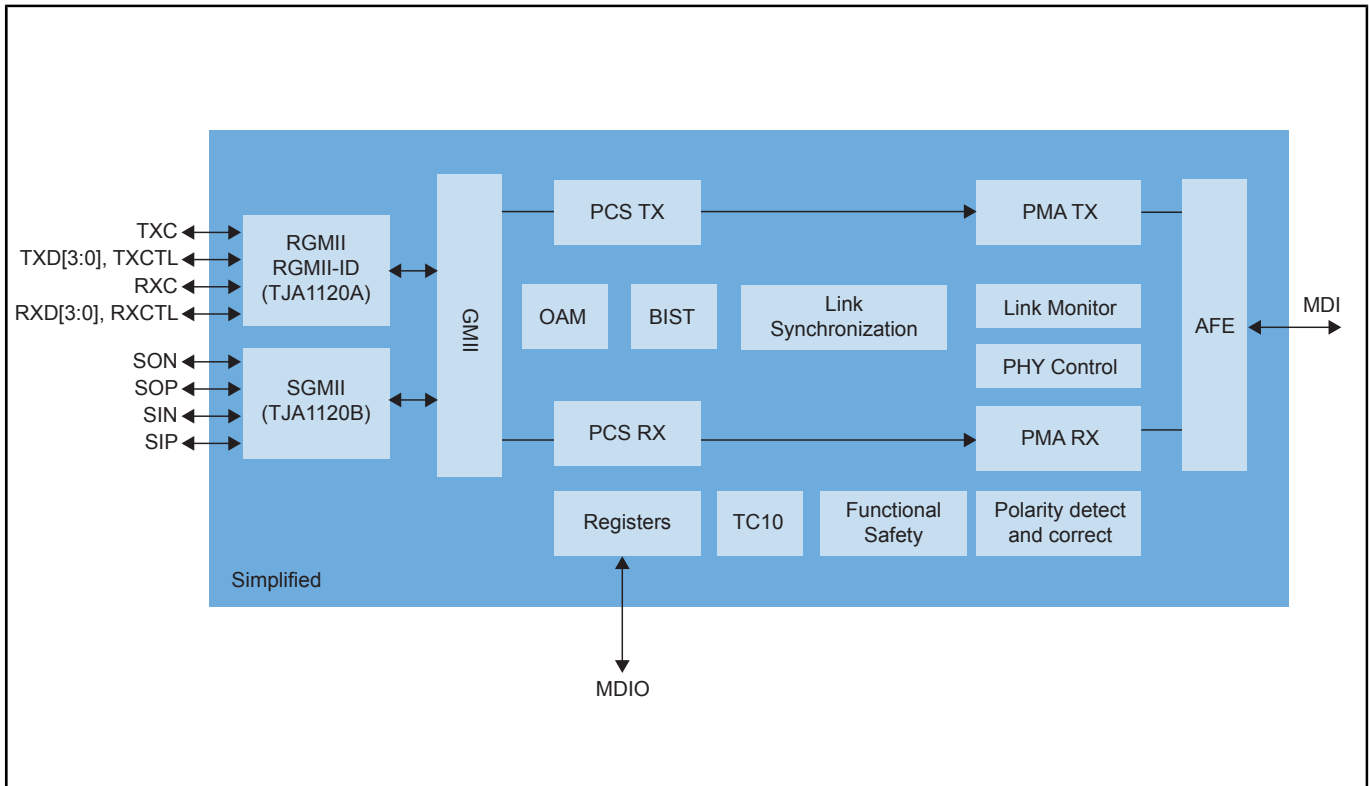
### Preproduction

This page contains information on a preproduction product. Specifications and information herein are subject to change without notice. For additional information [contact support](#) or your sales representative.

Last Updated: May 8, 2024

TJA1120, NXP's 1000BASE-T1 PHY, scales automotive ethernet speed grade up to the 1 Gbps. The device comes in compact package HVQFN36 (6 x 6 mm) for space constraint use cases. The PHY is drop in compatible with TJA1103 to equip assembly options of platform designs with the optimized PHY product for 100 Mbps or 1 Gbps data rate. TJA1120 supports shielded (STP) and unshielded twisted pair (UTP) cable applications. The PHY is developed according to ISO26262 and achieves ASIL B. It integrates OPEN Alliance TC-10 compliant wake-up forwarding over the ethernet data line.

# TJA1120 Automotive Ethernet PHY 1000BASE-T1, ASIL B and TC-10 Block Diagram



View additional information for [TJA1120, ASIL B Compliant Automotive Ethernet 1000BASE-T1 PHY Transceiver](#).

**Note:** The information on this document is subject to change without notice.

**www.nxp.com**

NXP and the NXP logo are trademarks of NXP B.V. All other product or service names are the property of their respective owners. The related technology may be protected by any or all of patents, copyrights, designs and trade secrets. All rights reserved. © 2024 NXP B.V.