



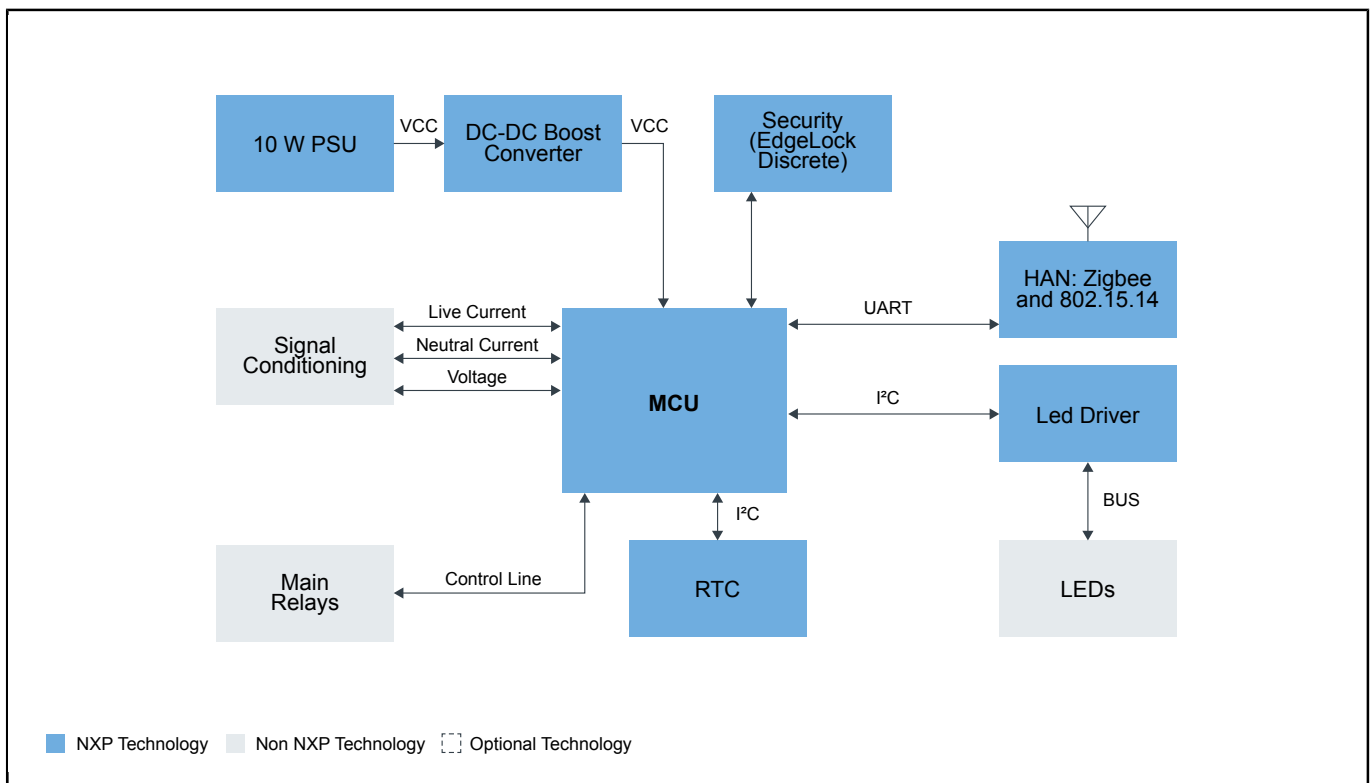
# Smart Power Socket and Light Switch

Last Updated: Apr 18, 2024

Faced with limited resources and booming demand, the energy industry seeks greater efficiencies within complex energy management and distribution processes, all while providing a great consumer experience. To achieve better service and smarter, streamlined processes, energy providers require reliable, real-time access to data.

A smart plug controls the energy supply of devices connected to it. Using a ZigBee™ interface this device connects to a gateway where you can send commands to turn on/off or see the power consumption of the device connected to it.

## Smart Plug Block Diagram



Recommended Products for Smart Plug	
MCU	<ul style="list-style-type: none"> <li>• <a href="#">KM1x</a>: 50 MHz, Mainstream Precision Metrology Microcontrollers based on Arm® Cortex®-M0+</li> </ul>
Power Management	<ul style="list-style-type: none"> <li>• <a href="#">TEA1721DT</a>: HV Start-up Flyback Controller with Integrated MOSFET for 5 W Applications, F~Burst = 1270 Hz</li> <li>• <a href="#">PCA9410_9410A</a>: 3.0 MHz, 500 MA, DC-to-DC Boost Converter</li> </ul>
Power Management	<ul style="list-style-type: none"> <li>• <a href="#">TEA1721DT</a>: HV Start-up Flyback Controller with Integrated MOSFET for 5 W Applications, F~Burst = 1270 Hz</li> <li>• <a href="#">PCA9410_9410A</a>: 3.0 MHz, 500 MA, DC-to-DC Boost Converter</li> </ul>
Wireless	<ul style="list-style-type: none"> <li>• <a href="#">JN5169</a>: ZigBee and IEEE802.15.4 Wireless Microcontroller with 512 KB Flash, 32 KB RAM</li> </ul>
Peripherals	<ul style="list-style-type: none"> <li>• <a href="#">PCA9955BTW</a>: 16-Channel Fm+ I²C-Bus 57 MA/20 V Constant-Current LED Driver</li> <li>• <a href="#">PCA2131</a>: Nano-Power Highly Accurate RTC with Integrated Quartz Crystal for Automotive Applications</li> </ul>
Peripherals	<ul style="list-style-type: none"> <li>• <a href="#">PCA9955BTW</a>: 16-Channel Fm+ I²C-Bus 57 MA/20 V Constant-Current LED Driver</li> <li>• <a href="#">PCA2131</a>: Nano-Power Highly Accurate RTC with Integrated Quartz Crystal for Automotive Applications</li> </ul>
Security (EdgeLock Discrete)	<ul style="list-style-type: none"> <li>• <a href="#">SE050</a>: EdgeLock® SE050: Plug and Trust Secure Element Family – Enhanced IoT security with high flexibility</li> <li>• <a href="#">SE051</a>: EdgeLock® SE051: Proven, Easy-to-Use IoT Security Solution with Support for Updatability and Custom Applets</li> </ul>

View our complete solution for [Smart Power Socket and Light Switch](#).

**Note:** The information on this document is subject to change without notice.

**[www.nxp.com](http://www.nxp.com)**

NXP and the NXP logo are trademarks of NXP B.V. All other product or service names are the property of their respective owners. The related technology may be protected by any or all of patents, copyrights, designs and trade secrets. All rights reserved. © 2024 NXP B.V.