



3 Phase Reference Design for HP Drive Featuring GD3160

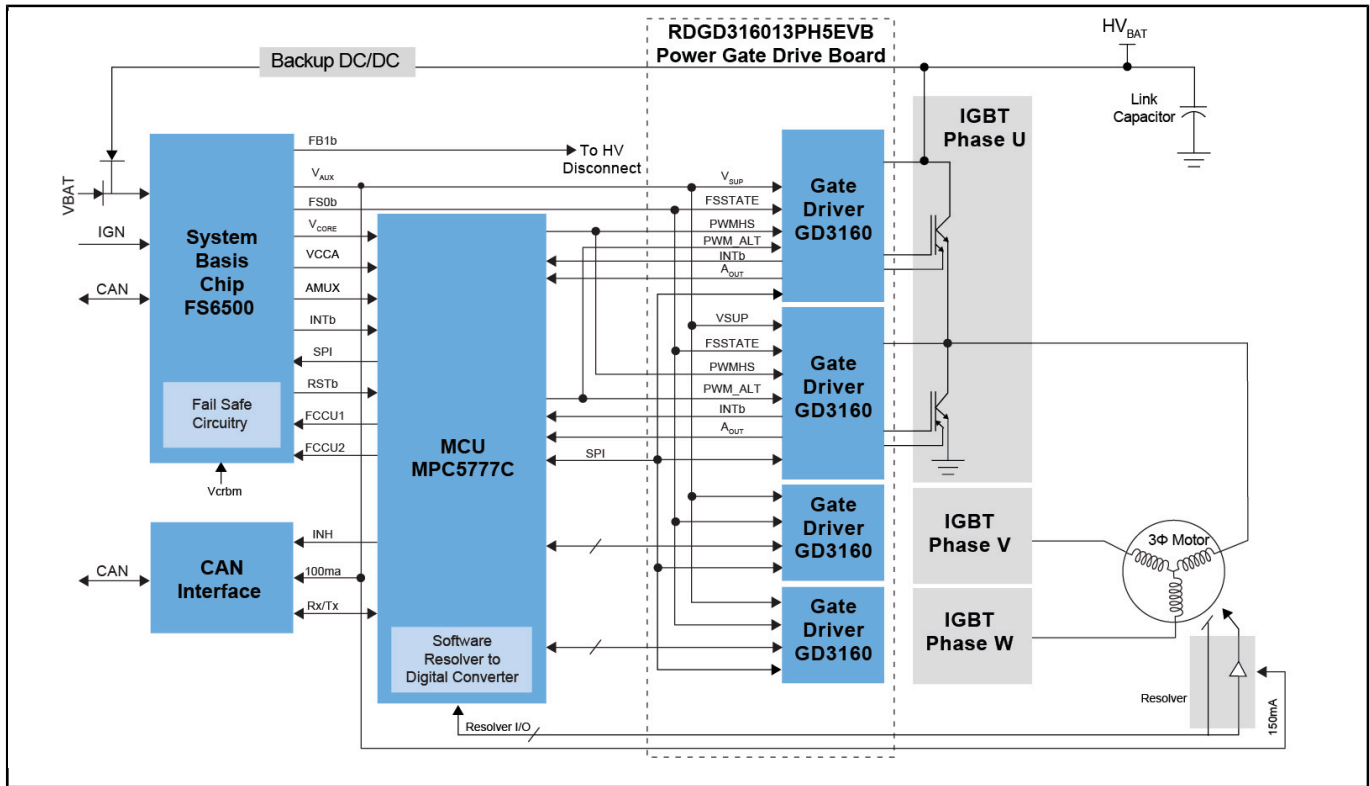
RDGD3160I3PH5EVB

Last Updated: May 1, 2023

The RDGD3160I3PH5EVB is a three-phase inverter reference design and evaluation board populated with six [GD3160](#) gate drivers for IGBT/SiC MOSFET devices. This board supports SPI daisy chain communication for programming and communication with three high-side gate drivers and three low-side gate drivers independently and comes with fault management and supporting circuitry.

The evaluation kit is designed to connect to a compatible HybridPACK™ Drive SiC/IGBT module or onsemi VE-trac™ IGBT module for full three phase inverter applications development.

GD3160 Block Diagram Block Diagram



View additional information for [3 Phase Reference Design for HP Drive Featuring GD3160](#).

Note: The information on this document is subject to change without notice.

www.nxp.com

NXP and the NXP logo are trademarks of NXP B.V. All other product or service names are the property of their respective owners. The related technology may be protected by any or all of patents, copyrights, designs and trade secrets. All rights reserved. © 2024 NXP B.V.