



Low-Ohmic Single-Pole Double-Throw Analog Switch

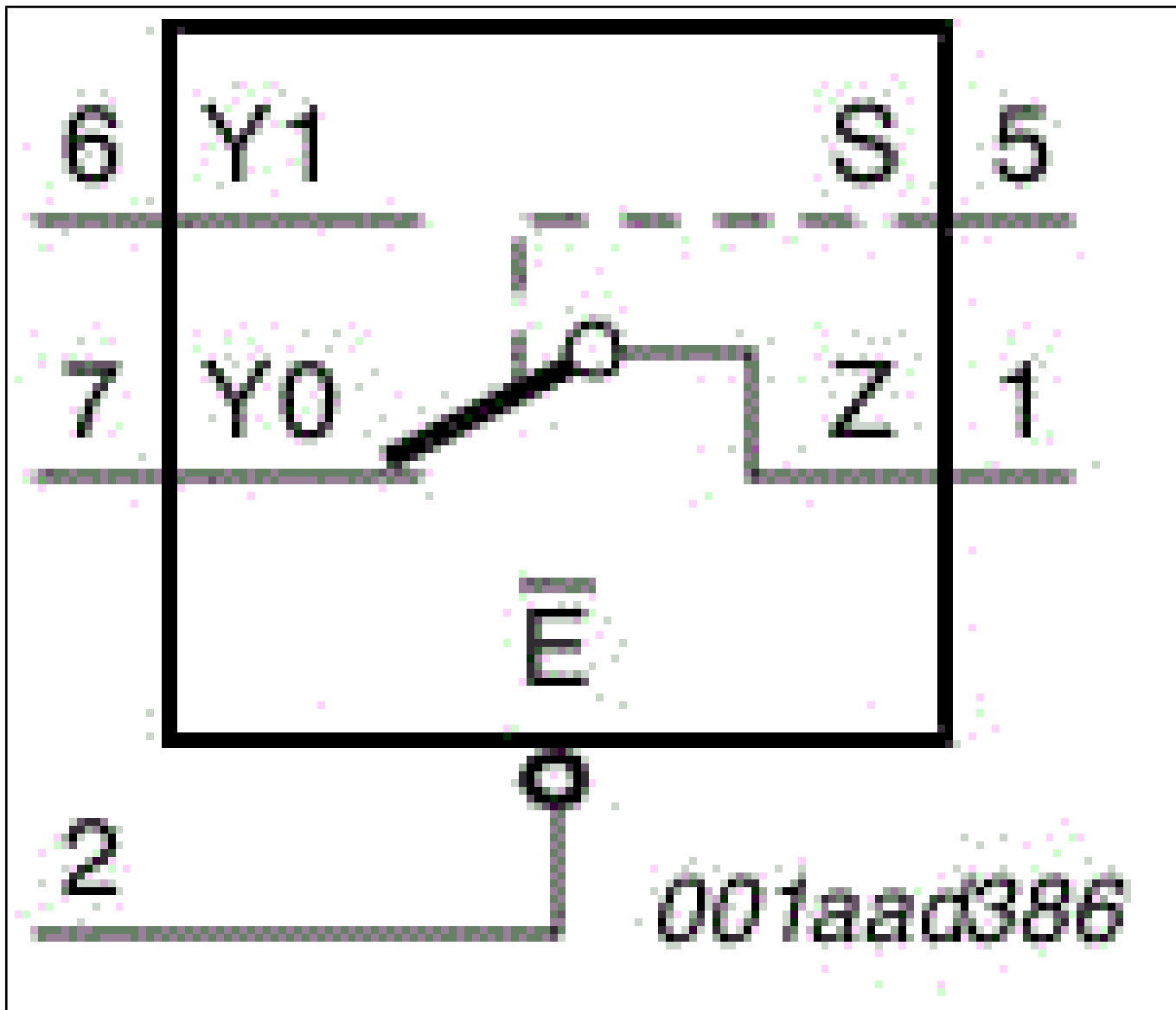
NX3L1G53

Last Updated: Jan 31, 2024

The NX3L1G53 is a low-ohmic single-pole double-throw analog switch suitable for use as an analog or digital 2:1 multiplexer/demultiplexer. It has a digital select input (S), two independent inputs/outputs (Y0 and Y1), a common input/output (Z) and an active LOW enable input (E). When pin E is HIGH, the switch is turned off. Schmitt trigger action at the digital inputs makes the circuit tolerant to slower input rise and fall times.

The NX3L1G53 allows signals with amplitude up to VCC to be transmitted from Z to Y0 or Y1; or from Y0 or Y1 to Z. Its low ON resistance (0.5 Ω) and flatness (0.13 Ω) ensures minimal attenuation and distortion of transmitted signals.

74LVC1G53; 74LVC2G53 Block Diagram



View additional information for [Low-Ohmic Single-Pole Double-Throw Analog Switch](#).

Note: The information on this document is subject to change without notice.

www.nxp.com

NXP and the NXP logo are trademarks of NXP B.V. All other product or service names are the property of their respective owners. The related technology may be protected by any or all of patents, copyrights, designs and trade secrets. All rights reserved. © 2024 NXP B.V.