



# Low-Ohmic Single-Pole Double-Throw Analog Switch

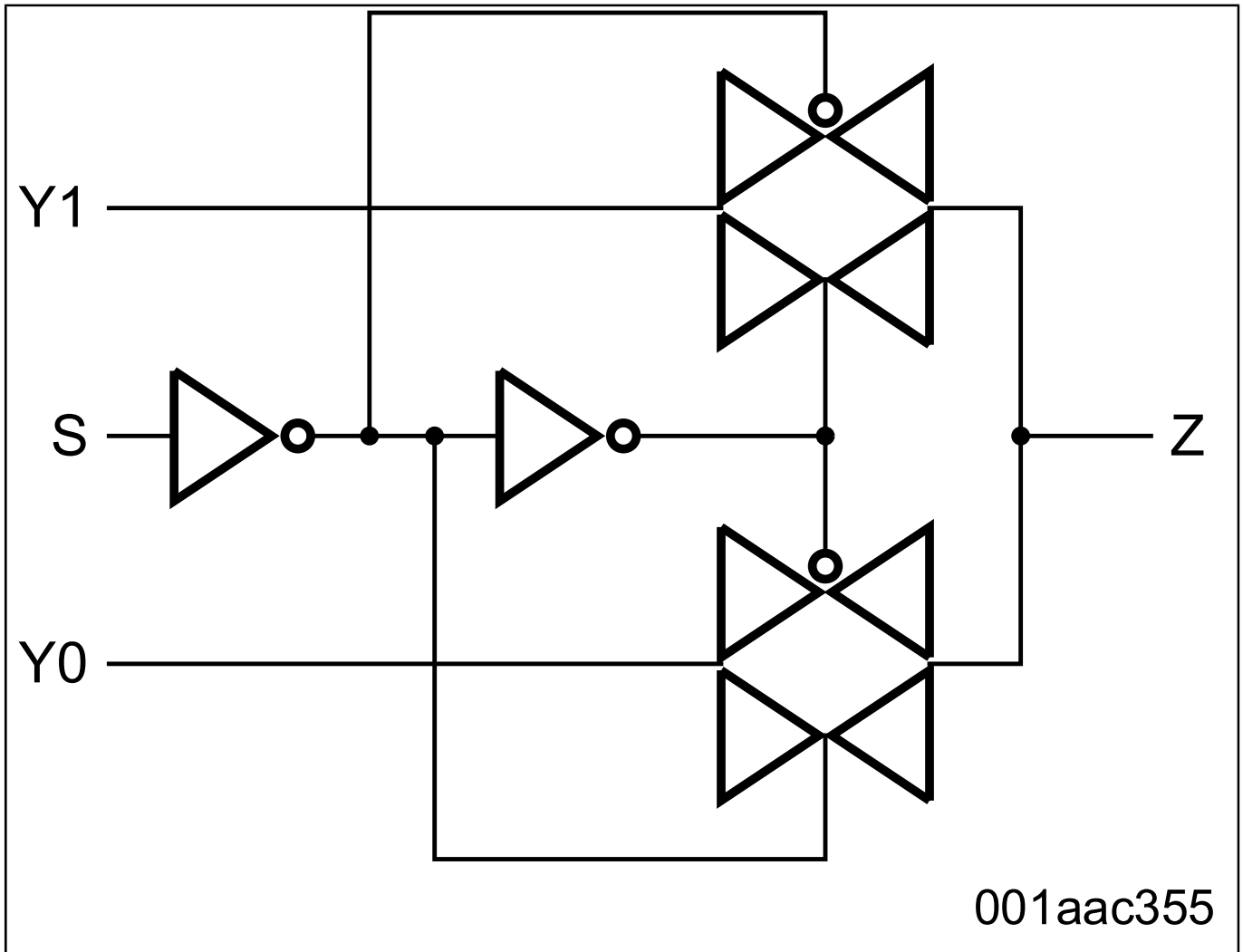
## NX3L1G3157

Last Updated: Oct 13, 2023

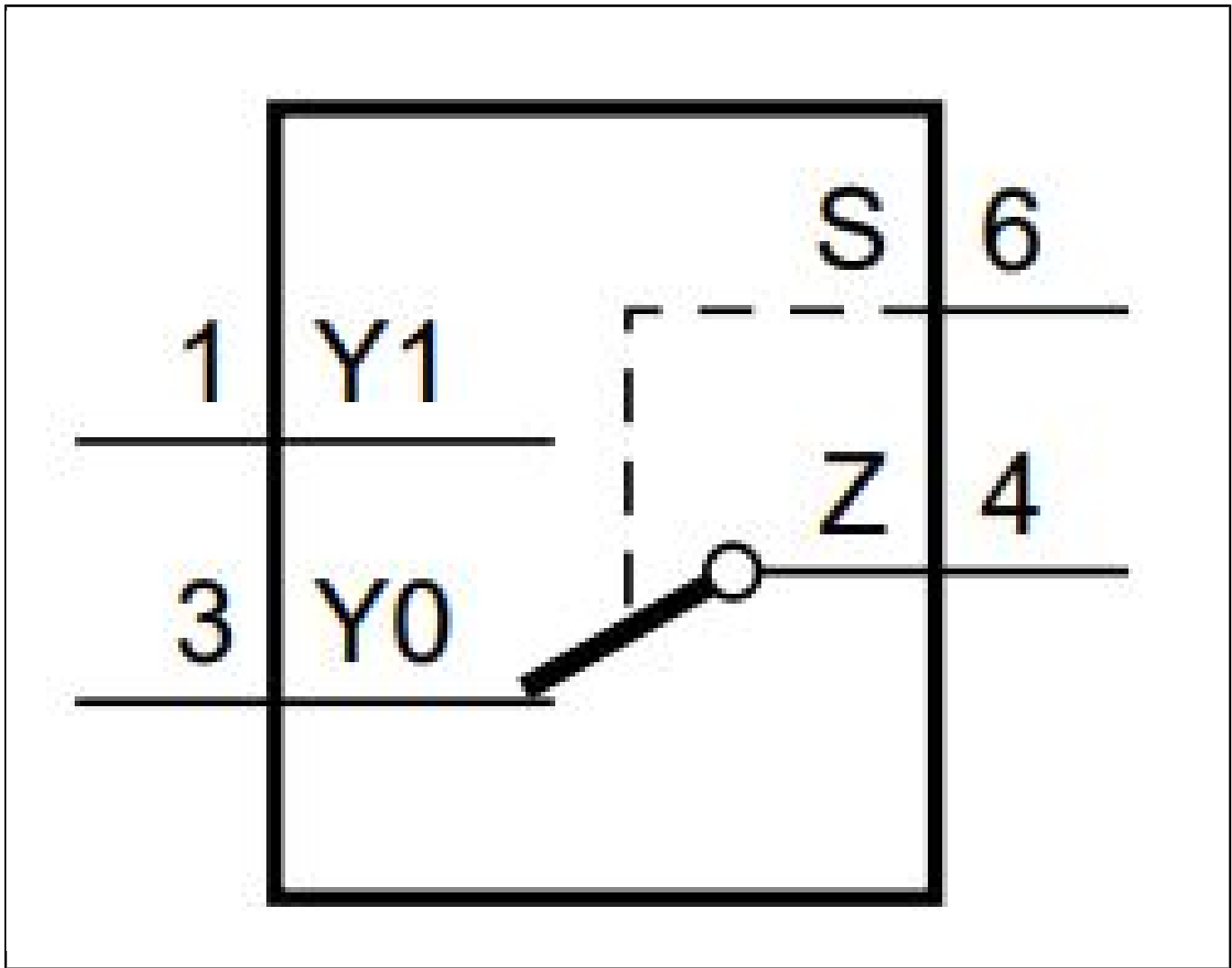
The NX3L1G3157 is a low-ohmic single-pole double-throw analog switch suitable for use as an analog or digital 2:1 multiplexer/demultiplexer. It has a digital select input (S), two independent inputs/outputs (Y0 and Y1) and a common input/output (Z). Schmitt trigger action at the digital input makes the circuit tolerant to slower input rise and fall times.

The NX3L1G3157 allows signals with amplitude up to  $V_{CC}$  to be transmitted from Z to Y0 or Y1; or from Y0 or Y1 to Z. Its low ON resistance ( $0.5 \Omega$ ) and flatness ( $0.13 \Omega$ ) ensures minimal attenuation and distortion of transmitted signals.

NX3L1G3157/Q100 Block Diagram Block Diagram



NX3L1G3157-Q100 Logic Symbol Block Diagram



View additional information for [Low-Ohmic Single-Pole Double-Throw Analog Switch](#).

**Note:** The information on this document is subject to change without notice.

**[www.nxp.com](http://www.nxp.com)**

NXP and the NXP logo are trademarks of NXP B.V. All other product or service names are the property of their respective owners. The related technology may be protected by any or all of patents, copyrights, designs and trade secrets. All rights reserved. © 2024 NXP B.V.