



# High-Voltage USB PD Power Switch

## NX20P5090UK

Last Updated: Mar 19, 2024

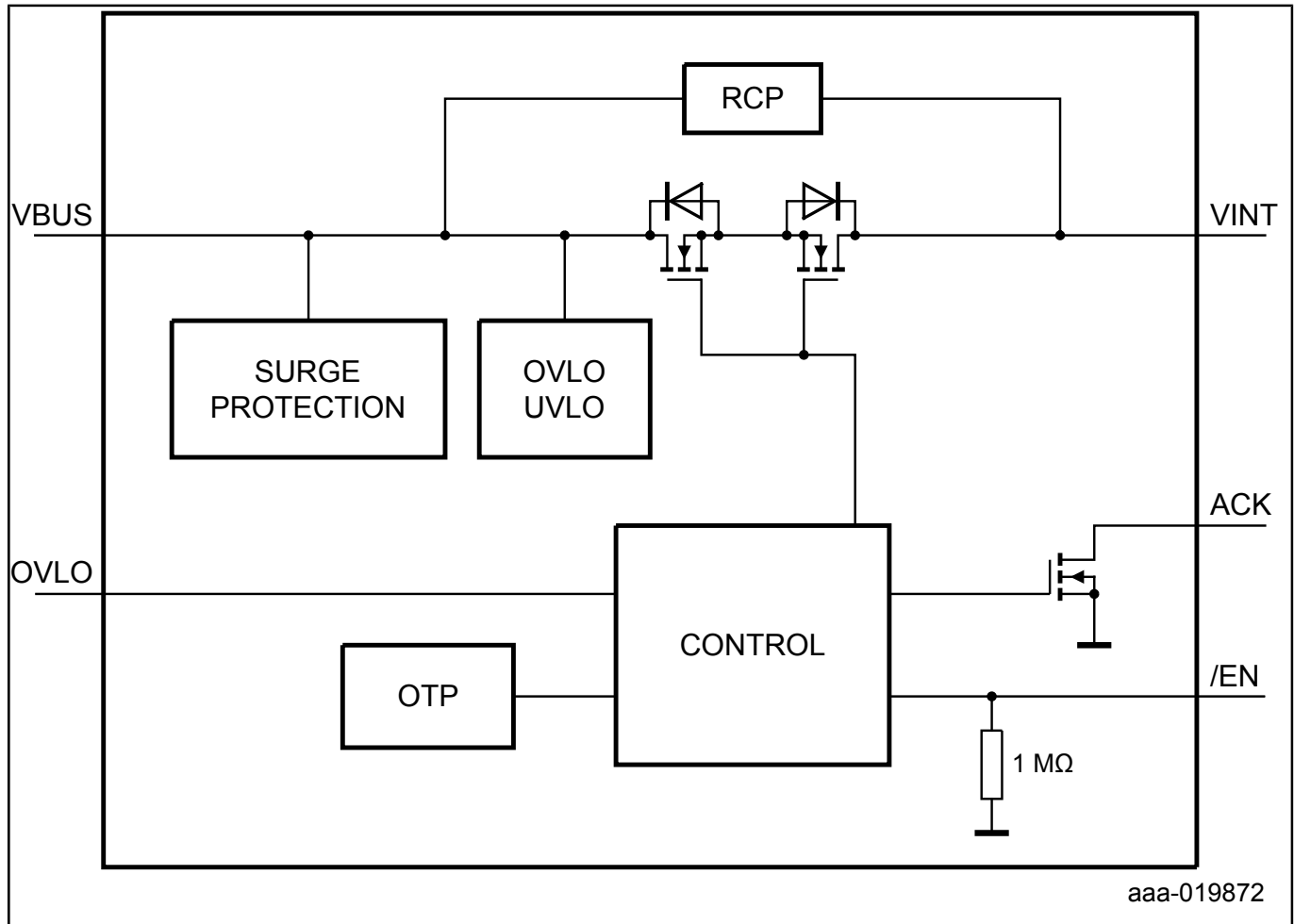
The NX20P5090 is an advanced 5.0 A Uni-directional power switch for USB PD. It includes under voltage lockout, over voltage lockout, reverse current protection and over-temperature protection circuits, it is designed to automatically isolate the power switch terminals when a fault condition occurs. Both VBUS and VINT pin have 29 V tolerance in shutdown mode, two NX20P5090s can be used in parallel to support dual power inputs connecting to same charging circuit.

The device has a default 23 V over voltage protection threshold, and the OVP threshold can be adjusted by using external resistors on OVLO pin. A 15 ms debounce time is deployed every time before the device is switched ON, followed by a soft start to limit the inrush current.

Designed for operation from 2.5 V to 20.0 V, it is used in USB PD power domain isolation applications to offer essential protection and enhance reliability.

NX20P5090 is offered in a small 15 bumps 1.6 × 2.6 mm, 0.5 mm pitch WLCSP package.

## NX20P5090 Block Diagram Block Diagram



View additional information for [High-Voltage USB PD Power Switch](#).

**Note:** The information on this document is subject to change without notice.

[www.nxp.com](http://www.nxp.com)

NXP and the NXP logo are trademarks of NXP B.V. All other product or service names are the property of their respective owners. The related technology may be protected by any or all of patents, copyrights, designs and trade secrets. All rights reserved. © 2024 NXP B.V.