



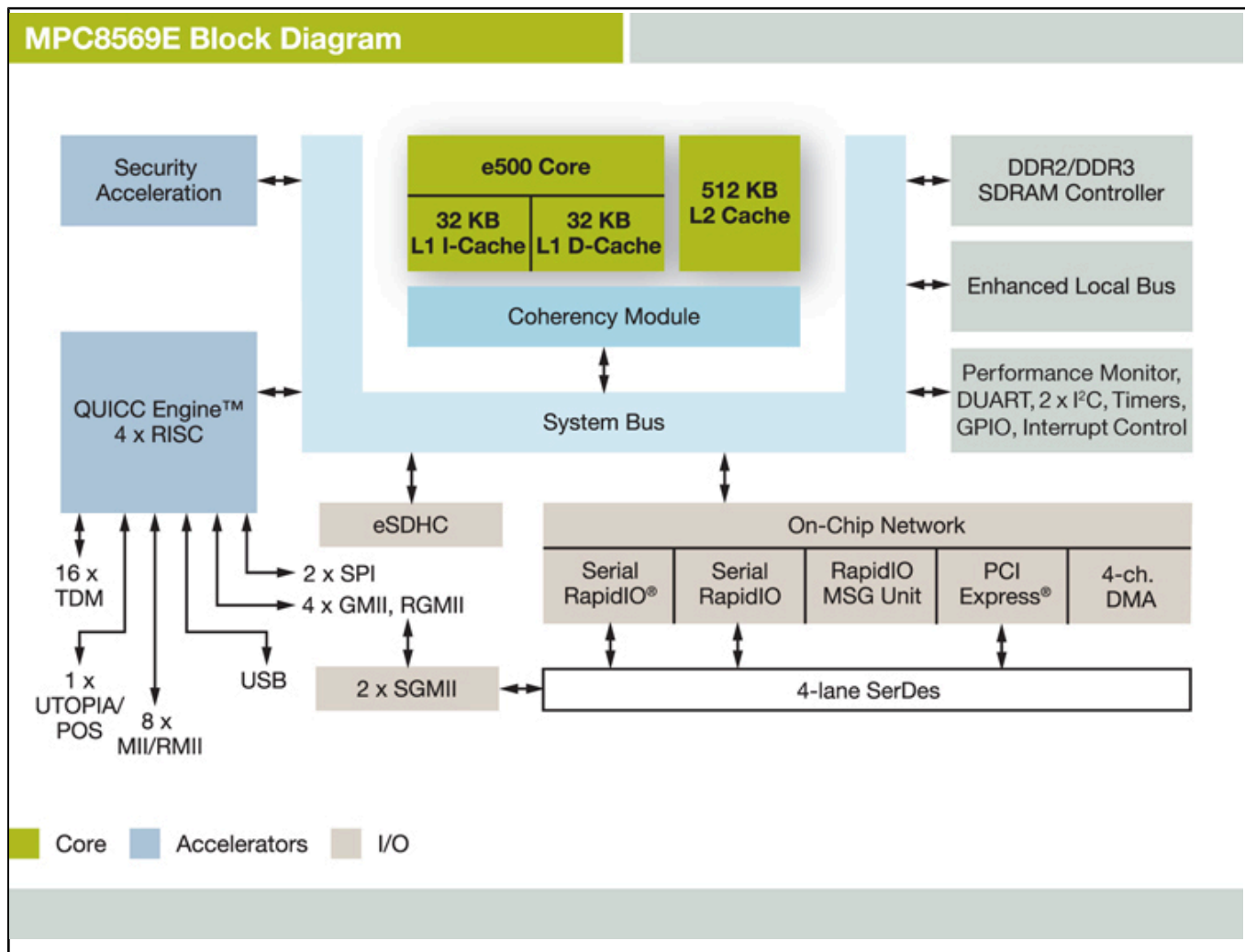
# PowerQUICC® III Processor with DDR2/3

## MPC8569E

Last Updated: Apr 9, 2022

The MPC8569E PowerQUICC® III family is designed to address the increasing performance requirements for broadband access equipment including 3G/WiMAX/LTE base stations, radio network controllers, gateways and ATM/TDM/IP equipment. The MPC8569E helps facilitate both IP and multi-protocol solutions by combining a high-performance e500 processor core, built on Power Architecture® technology and scaling up to 1.33 GHz, with a flexible communications engine and high-speed system interfaces. The MPC8569E is designed to enable customers to handle many functions in a single-chip solution that otherwise would require multiple devices. This high level of integration provides savings in cost, power and board space.

# Freescale PowerQUICC MPC8569E Communications Processor Block Diagram Block Diagram



View additional information for [PowerQUICC® III Processor with DDR2/3](#).

Note: The information on this document is subject to change without notice.

[www.nxp.com](http://www.nxp.com)

NXP and the NXP logo are trademarks of NXP B.V. All other product or service names are the property of their respective owners. The related technology may be protected by any or all of patents, copyrights, designs and trade secrets. All rights reserved. © 2024 NXP B.V.