



Layerscape LS1024A Reference Design Board

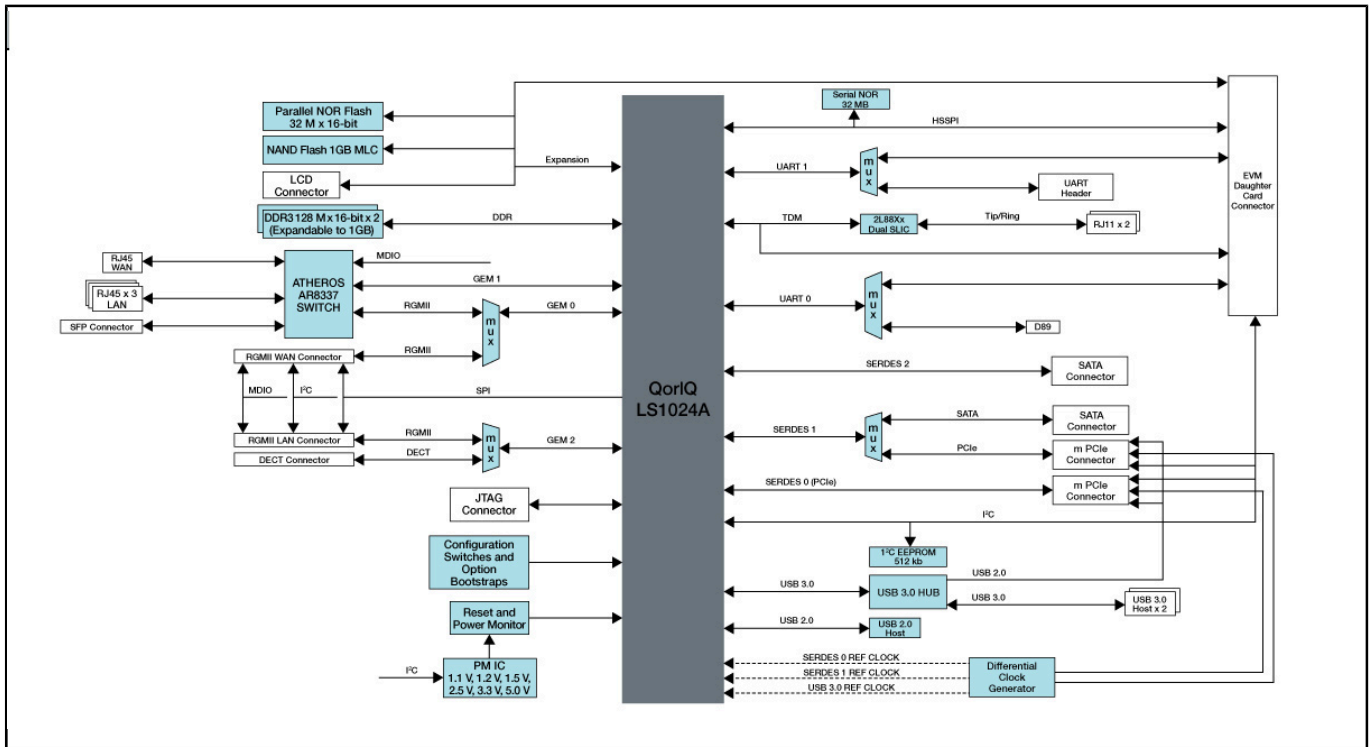
LS1024A-RDB

Last Updated: Nov 22, 2023

The Layerscape LS1024A reference design board (LS1024ARDB) is a compact form-factor platform that enables evaluation and development for a wide variety of applications ranging from high-end VoIP and video-enabled home gateways, small-to-mid-sized business (SMB) and high-performance security appliances, and Ethernet powered 802.11n enterprise access points.

The LS1024ARDB also features an expansion connector suitable for adding additional components such as an LCD panel.

Layerscape LS1024A Block Diagram



View additional information for [Layerscape LS1024A Reference Design Board](#).

Note: The information on this document is subject to change without notice.

www.nxp.com

NXP and the NXP logo are trademarks of NXP B.V. All other product or service names are the property of their respective owners. The related technology may be protected by any or all of patents, copyrights, designs and trade secrets. All rights reserved. © 2024 NXP B.V.