



Layerscape® 1021A Dual-Core Processor with LCD Controller

LS1021A

Last Updated: Apr 11, 2024

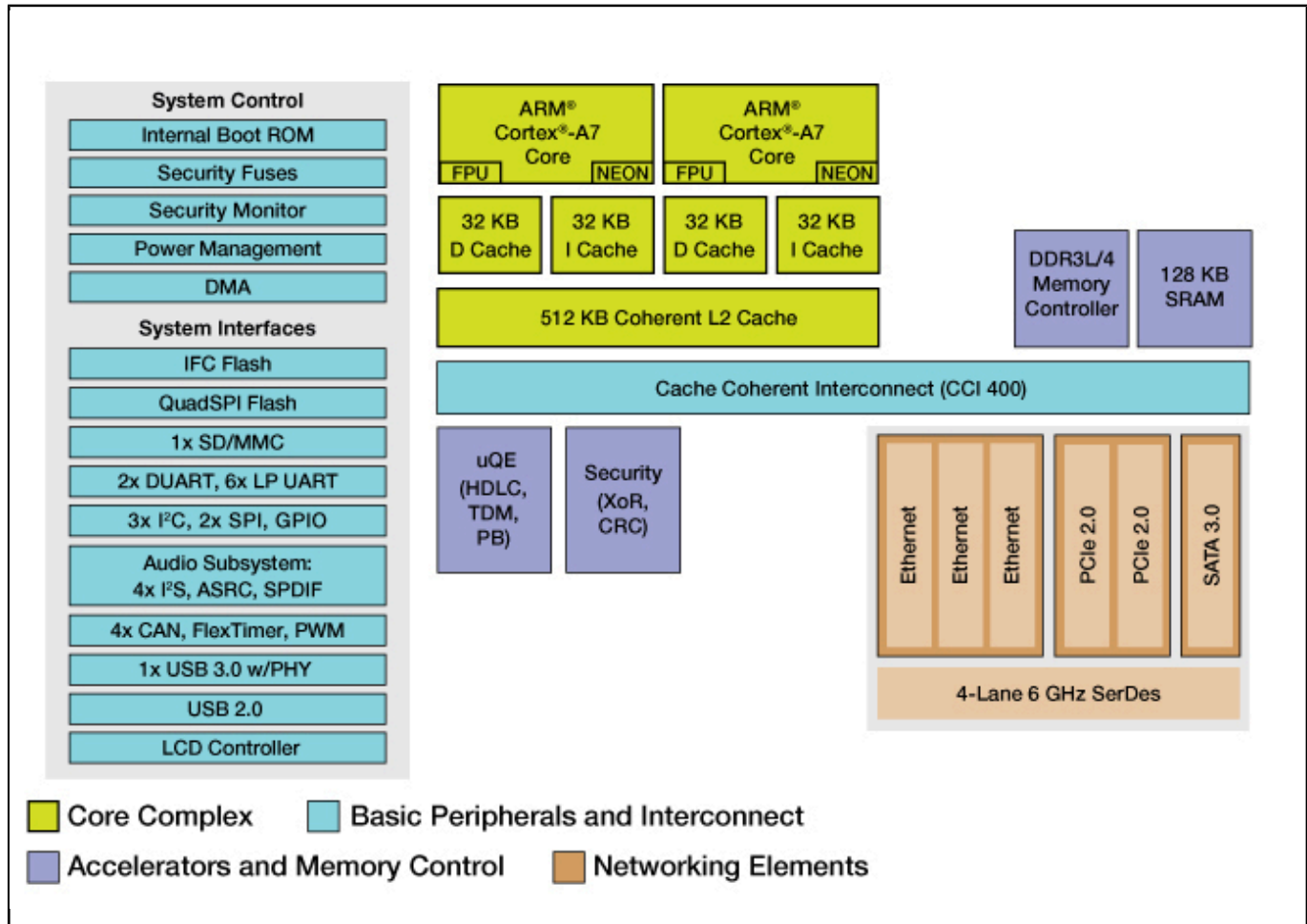
The LS1 family, which includes the LS1021A communications processor, is built on Layerscape architecture, the industry's first software-aware, core-agnostic networking architecture to offer unprecedented efficiency and scale.

A member of the value-performance tier, the LS1021A processor provides extensive integration and power efficiency for fanless, small form factor enterprise networking applications. Incorporating dual Arm® Cortex®-A7 cores running up to 1.2 GHz, the LS1021A processor is engineered to deliver CoreMark® performance of over 7,000, as well as virtualization support, advanced security features and the broadest array of high-speed interconnects and optimized peripheral features ever offered in a sub-3 W processor.

The LS1021A processor features an integrated LCD controller, CAN controller for implementing industrial protocols, DDR3L/4 running up to 1600 MHz, integrated security engine and QUICC Engine® and ECC protection on both L1 and L2 caches. The LS1021A processor is pin- and software-compatible with the LS1020A and LS1022A processors.

Layerscape processors are part of NXP's EdgeVerse™ [edge computing](#) platform.

LS1021A Processor Block Diagram Block Diagram



View additional information for [Layerscape® 1021A Dual-Core Processor with LCD Controller](#).

Note: The information on this document is subject to change without notice.

www.nxp.com

NXP and the NXP logo are trademarks of NXP B.V. All other product or service names are the property of their respective owners. The related technology may be protected by any or all of patents, copyrights, designs and trade secrets. All rights reserved. © 2024 NXP B.V.