

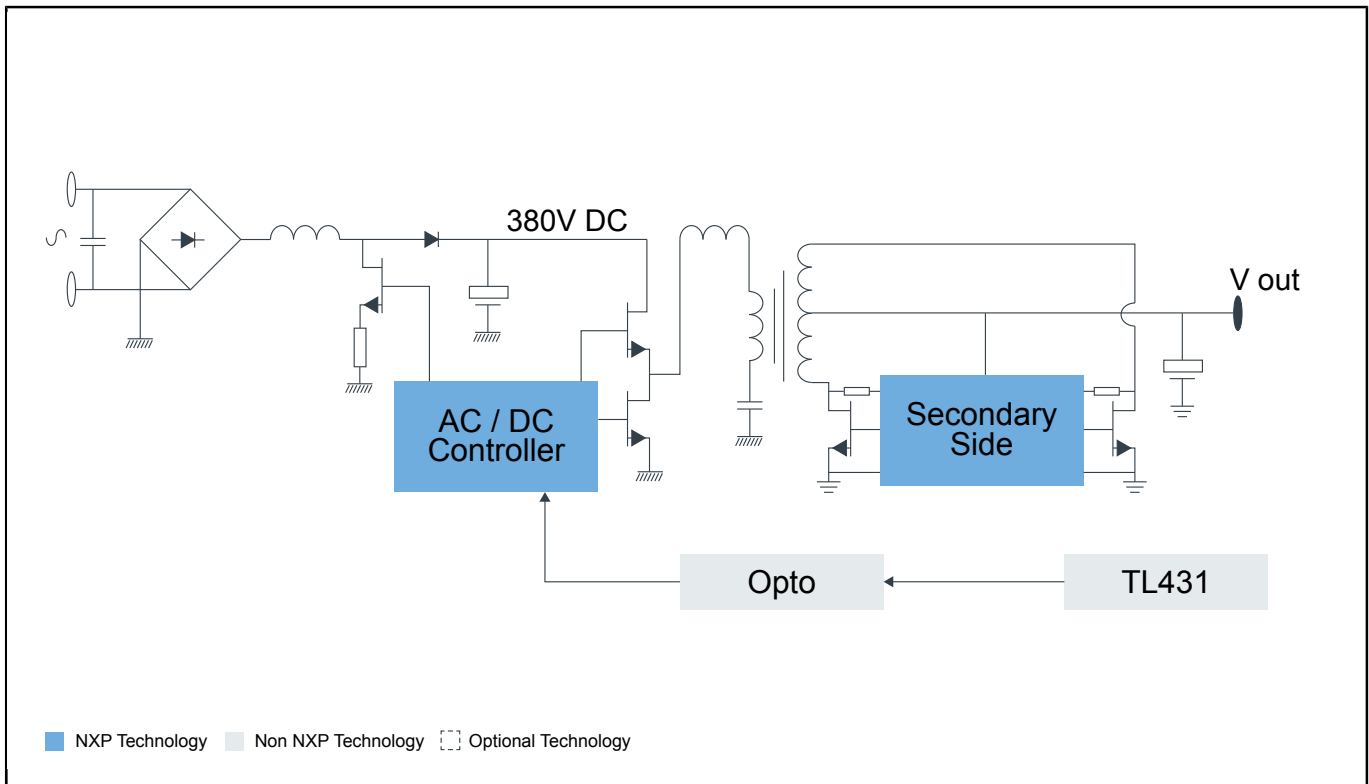


Electricity Converters and Performers

Last Updated: Apr 27, 2023

NXP provides many solutions on electricity conversion, including AC to AC, AC to DC and DC to DC converters. This diversity offers coverage in different markets such as industrial, residential, and personal.

AC-DC Block Diagram



Recommended Products for AC-DC

AC/DC controllers	<ul style="list-style-type: none"> • TEA2376: TEA2376xT, Digital Configurable Interleaved PFC Controllers • AC-DC Solutions: AC-DC Solutions
Secondary Side Controllers	<ul style="list-style-type: none"> • Secondary Side Controllers: Secondary Side Controllers

View our complete solution for [Electricity Converters and Performers](#).

Note: The information on this document is subject to change without notice.

www.nxp.com

NXP and the NXP logo are trademarks of NXP B.V. All other product or service names are the property of their respective owners. The related technology may be protected by any or all of patents, copyrights, designs and trade secrets. All rights reserved. © 2024 NXP B.V.