



Circuit Breaker

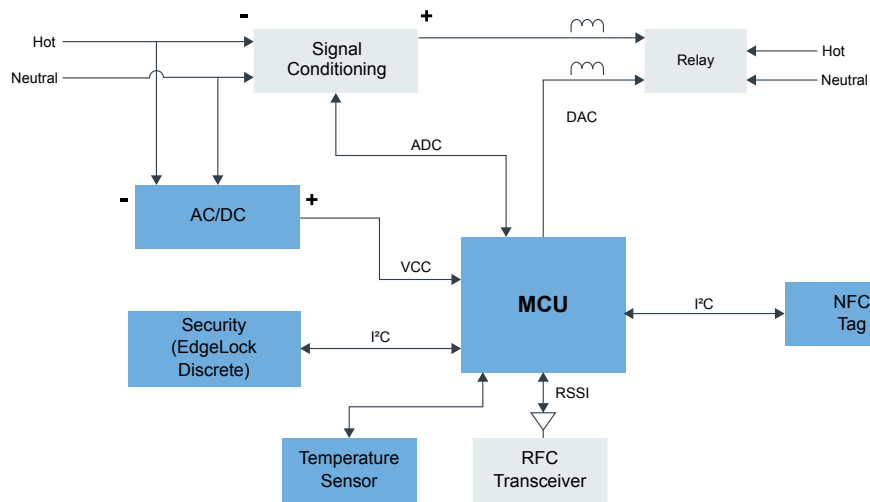
Last Updated: Jan 11, 2024

An Arc fault circuit breaker is an automatically operated electrical switch designed to protect an electrical circuit from damage caused by excess current, typically resulting from an overload or short circuit. A circuit breaker could be used either in a commercial or residential environment depending on the electrical current it can handle.

Industrial circuit breakers are used in warehouses, factories, or any location with a large electrical distribution.

Residential circuit breakers guard the home electrical system from a fire caused by an electrical fault.

Circuit Breaker Block Diagram



■ NXP Technology
 ■ Non NXP Technology
 Optional Technology

Recommended Products for Circuit Breaker

MCU	<ul style="list-style-type: none"> • KV1x: Kinetis® KV1x-75 MHz, Entry-Level 3ph FOC / Sensorless Motor Control MCUs based on Arm® Cortex®-M0+ • KW21Z: Kinetis® KW21Z-2.4 GHz 802.15.4 Wireless Radio Microcontroller (MCU) based on Arm® Cortex®-M0+ Core • KW41Z: Kinetis® KW41Z-2.4 GHz Dual Mode: Bluetooth® Low Energy and 802.15.4 Wireless Radio Microcontroller (MCU) based on Arm® Cortex®-M0+ Core
Security (EdgeLock Discrete)	<ul style="list-style-type: none"> • SE050: EdgeLock® SE050: Plug and Trust Secure Element Family – Enhanced IoT security with high flexibility
AC/DC	<ul style="list-style-type: none"> • TEA1721AT: HV Start-Up Flyback Controller with Integrated MOSFET for 5 W Applications, F~burst = 430 Hz

NFC	<ul style="list-style-type: none"> • NTAG_I2C: NTAG I²C Plus 2K: NFC Forum Type 2 Tag with I²C Interface
Temperature sensor	<ul style="list-style-type: none"> • P3T1035xUK: I3C, I²C-Bus, ±0.5 °C Accuracy, Digital Temperature Sensor • P3T2030xUK: I3C, I²C-Bus, 2.0 °C Accuracy, Digital Temperature Sensor • PCT2075: I²C-Bus Fm+, 1 Degree C Accuracy, Digital Temperature Sensor and Thermal Watchdog

View our complete solution for [Circuit Breaker](#).

Note: The information on this document is subject to change without notice.

www.nxp.com

NXP and the NXP logo are trademarks of NXP B.V. All other product or service names are the property of their respective owners. The related technology may be protected by any or all of patents, copyrights, designs and trade secrets. All rights reserved. © 2024 NXP B.V.