

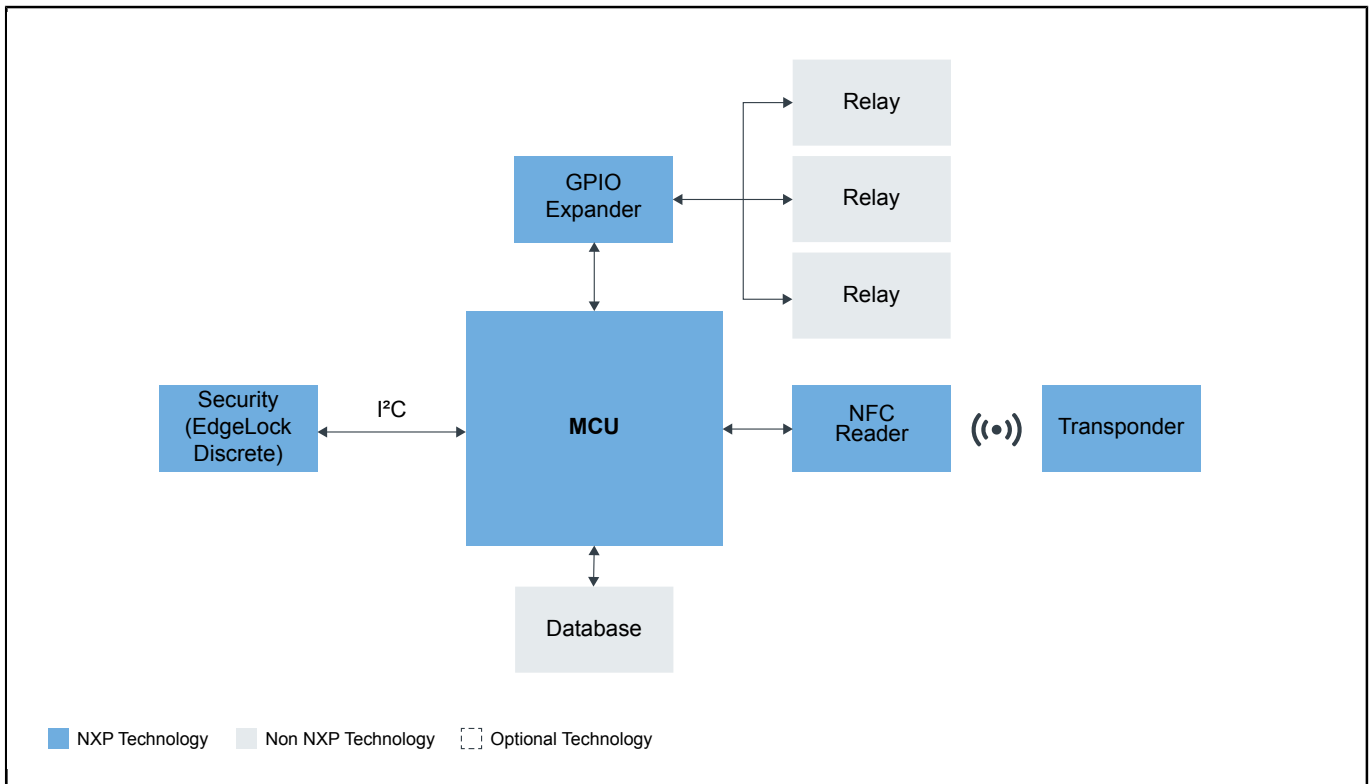


Car and Bike Sharing

Last Updated: Aug 22, 2022

Vehicle sharing systems in the form of car- and bike sharing solutions are growing as the demand for flexible and cost efficient transport solutions is increasing. Powered by secure contactless and fine ranging technologies, NXP offers car and bike sharing solutions across different form factors, such as key fobs, smart cards or mobile phones, helping to create seamless end user experiences while keeping operating costs low.

Car and Bike Sharing Block Diagram



Recommended Products for Car and Bike Sharing

MCU	<ul style="list-style-type: none"> K64_120: Kinetis[®] K64-120 MHz, 256 KB SRAM Microcontrollers (MCUs) Based on Arm[®] Cortex[®]-M4 Core
Security	<ul style="list-style-type: none"> SE050: EdgeLock[®] SE050: Plug and Trust Secure Element Family – Enhanced IoT security with high flexibility

NFC	<ul style="list-style-type: none"> • PN5190: NFC Frontend supporting challenging RF environment for payment, physical access control
GPIO Expander	<ul style="list-style-type: none"> • PCAL6534: Ultra-Low-Voltage, Level Translating, 34-Bit I²C-Bus/SMBus I/O Expander
Transponder	<ul style="list-style-type: none"> • MF3DHx3: MIFARE[®] DESFire[®] EV3: High-Security IC for Contactless Smart City Services

View our complete solution for [Car and Bike Sharing](#).

Note: The information on this document is subject to change without notice.

www.nxp.com

NXP and the NXP logo are trademarks of NXP B.V. All other product or service names are the property of their respective owners. The related technology may be protected by any or all of patents, copyrights, designs and trade secrets. All rights reserved. © 2024 NXP B.V.