



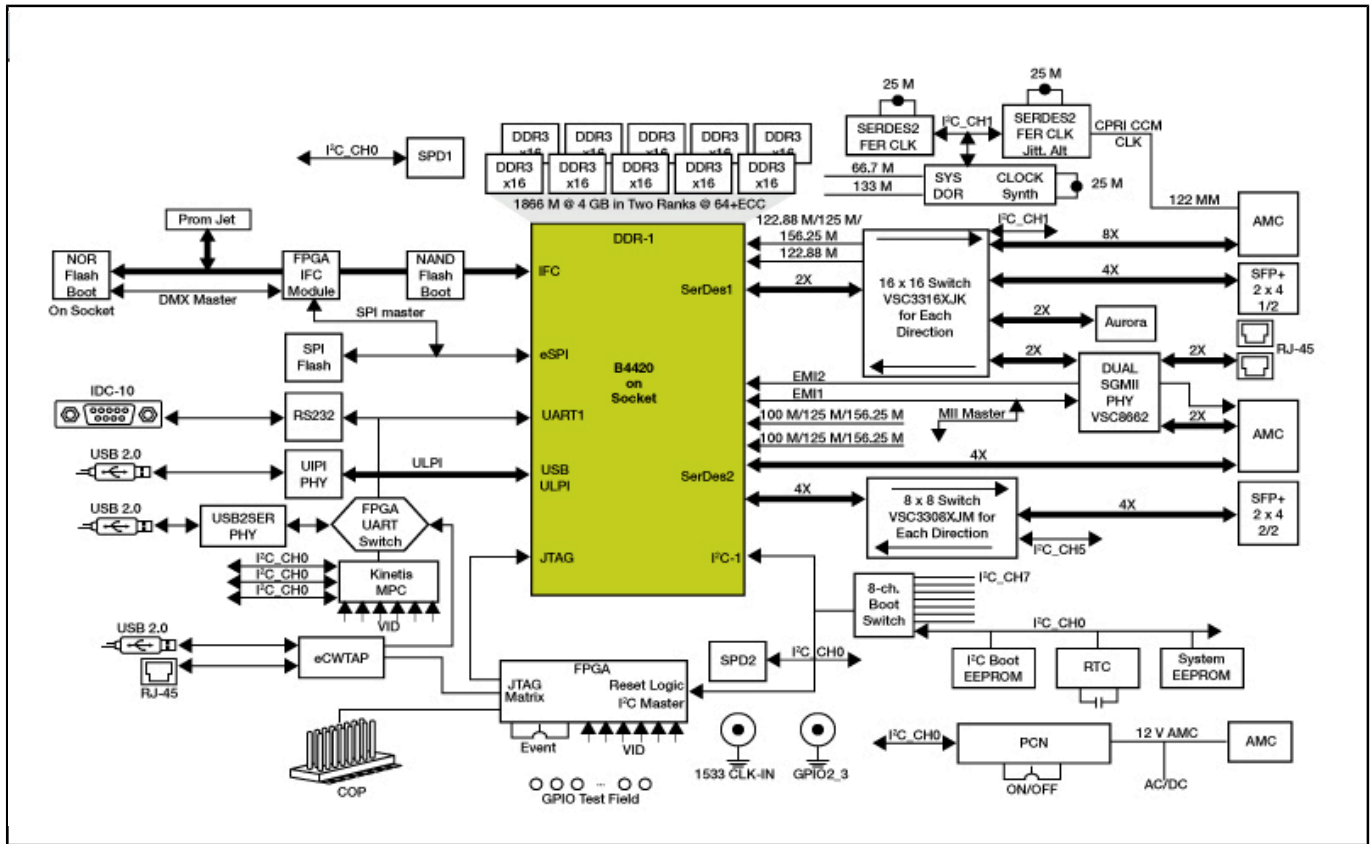
# QorIQ® Qonverge Development System

## B4420QDS

Last Updated: Dec 1, 2022

The B4420QDS is a flexible development system supporting the B4420 baseband system-on-chip (SoC) device, providing a complete application development environment. The B4420, with two 1.6 GHz e6500 cores built on Power Architecture®, two 1.2 GHz SC3900FP DSP cores, high throughput baseband and packet accelerators, and rich input/output (I/O) mix, is intended for metrocell base stations in wireless infrastructure as well as aerospace and defense applications.

# Qonverge Development System Block Diagram



View additional information for [QorIQ® Qonverge Development System](#).

Note: The information on this document is subject to change without notice.

[www.nxp.com](http://www.nxp.com)

NXP and the NXP logo are trademarks of NXP B.V. All other product or service names are the property of their respective owners. The related technology may be protected by any or all of patents, copyrights, designs and trade secrets. All rights reserved. © 2024 NXP B.V.