



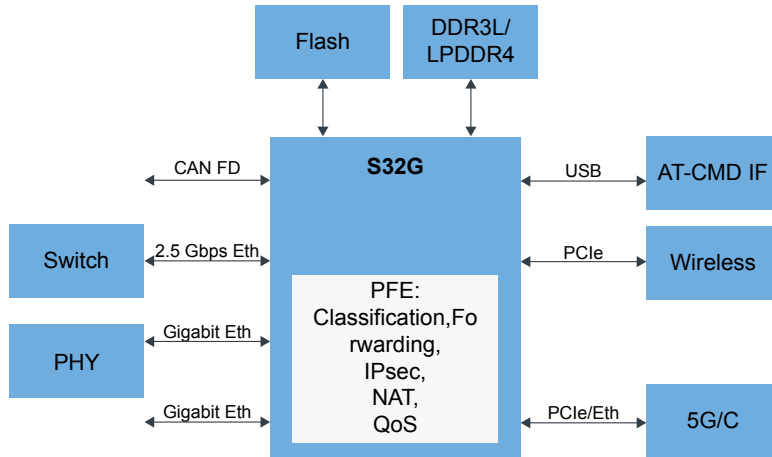
# Automotive Access Point

Last Updated: Nov 16, 2023

The Automotive Access Point application integrates the functionality of a smart antenna and a service-oriented gateway (SoG) but can also operate as a standalone box for smart antenna applications or gateways.

The key functionalities include; high-performance wireless connectivity based on Wi-Fi® 6 with concurrent dual Wi-Fi 2 x 2 plus 2 x 2; PCIe® interfacing to Wi-Fi 6, providing concurrent dual Wi-Fi support access points and station modes; enablement of more smart edge services with lower latency (like C-V2X data process and fusion); and asymmetric high-performance multiple cores, network accelerators, and rich communication peripherals to enable service-oriented gateways.

## Automotive MPU Block Diagram

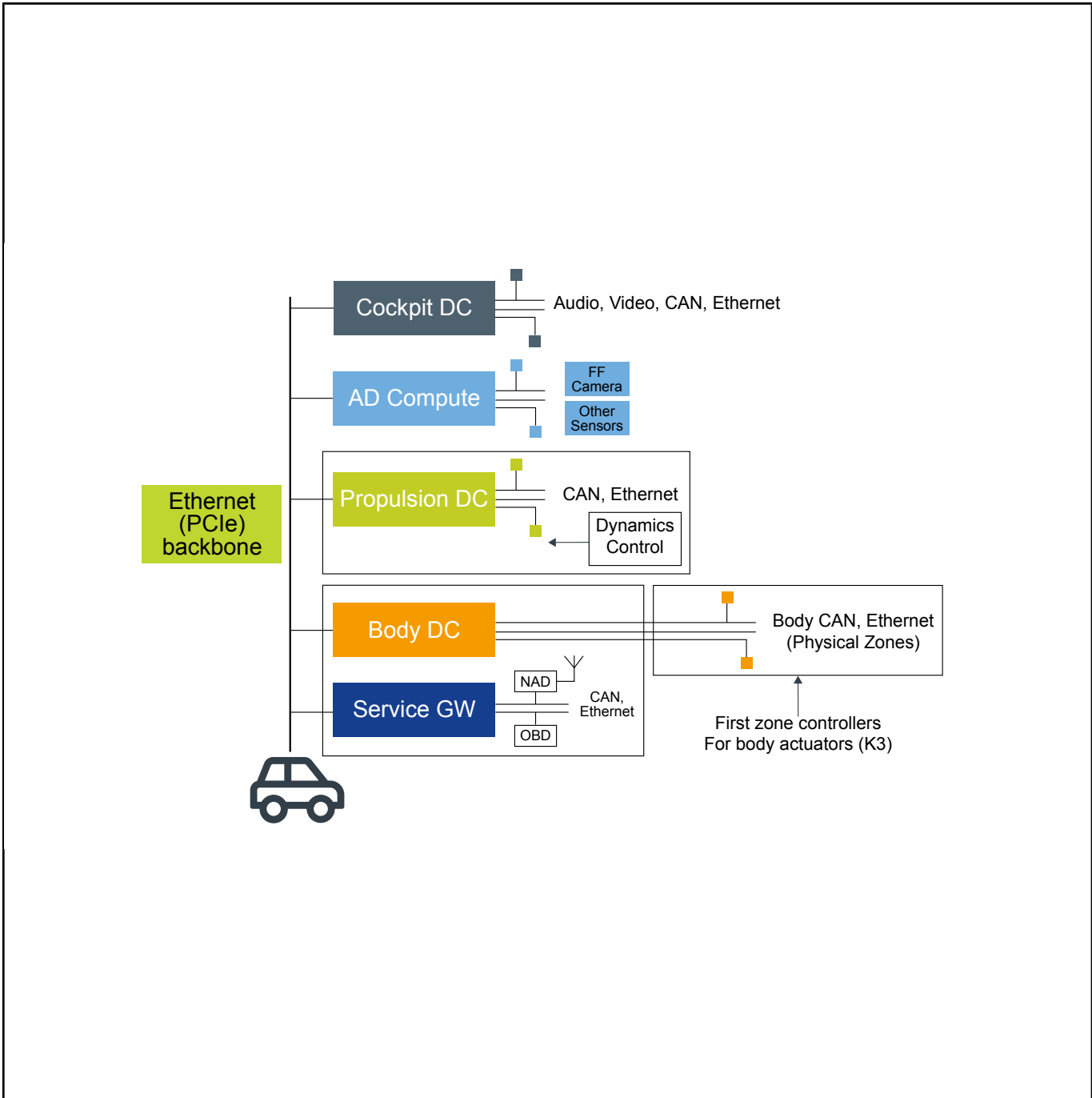


■ NXP Technology   
 ■ Non NXP Technology   
  Optional Technology

### Recommended Products for Automotive MPU

Automotive Access Point Processor	<ul style="list-style-type: none"> <li>• <a href="#">S32G3</a>: S32G3 Processors for Vehicle Networking</li> <li>• <a href="#">S32G2</a>: S32G2 Processors for Vehicle Networking</li> <li>• <a href="#">GOLDVIP</a>: S32G Vehicle Integration Platform (GoldVIP)</li> </ul>
Switch	<ul style="list-style-type: none"> <li>• <a href="#">SJA1105EL</a>: SJA1105EL: Five- Ports AVB Automotive Ethernet Switch</li> <li>• <a href="#">SJA1105PQRS</a>: SJA1105PEL/QEL/REL/SEL Series Ethernet Switches</li> <li>• <a href="#">SJA1105TEL</a>: Five- Ports AVB and TSN Automotive Ethernet Switch</li> <li>• <a href="#">SJA1110</a>: Multi-Gig Safe and Secure TSN Ethernet Switch with Integrated 100BASE-T1 PHYs</li> </ul>
PHY	<ul style="list-style-type: none"> <li>• <a href="#">TJA1120</a>: TJA1120, ASIL B Compliant Automotive Ethernet 1000BASE-T1 PHY Transceiver</li> </ul>

## Access Control Application Block Diagram



View our complete solution for [Automotive Access Point](#).

**Note:** The information on this document is subject to change without notice.

**www.nxp.com**

NXP and the NXP logo are trademarks of NXP B.V. All other product or service names are the property of their respective owners. The related technology may be protected by any or all of patents, copyrights, designs and trade secrets. All rights reserved. © 2024 NXP B.V.