



# 2.4/5 GHz Dual-Band 2x2 Wi-Fi® 5 (802.11ac) + Bluetooth® 5.3 Solution

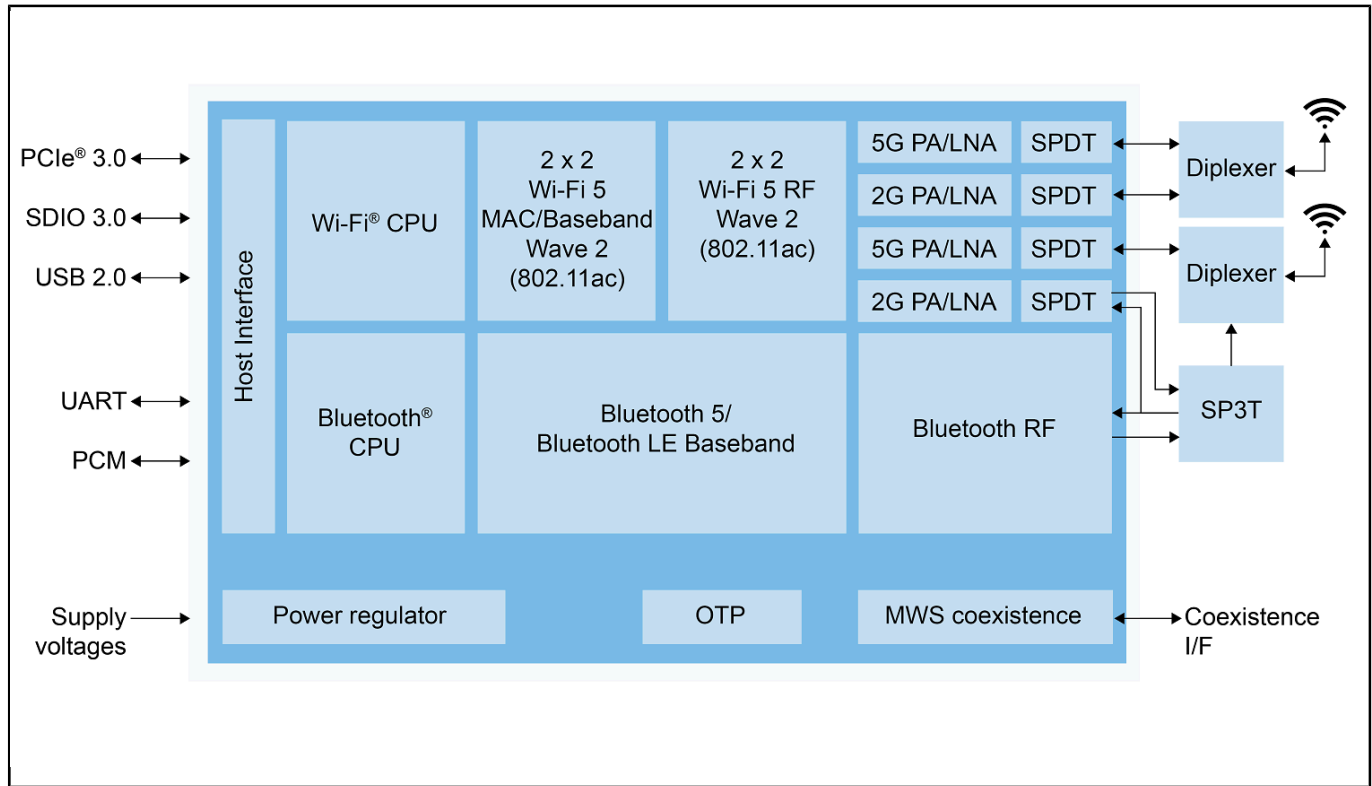
## 88W8997

Last Updated: May 9, 2024

The 88W8997 is the industry's first 28nm, 802.11ac wave-2, 2x2 MU-MIMO combo solution with full support for Bluetooth 5.3. The design enhancements and the low power 28nm process technology reduces the power consumption by up to 40% over existing solutions. 88W8997 features the highest level of integration in the market including dual band Power Amplifiers (PAs), Low Noise Amplifiers (LNAs) and switches reducing board level BOM (Bill of Materials) to the bare minimum, enabling easy Chip-on-Board and module design for board markets.

Wireless modules based on the NXP 88W8997 are offered by leading [module manufacturers](#).

## 88W8997-BD1 Block Diagram



View additional information for [2.4/5 GHz Dual-Band 2x2 Wi-Fi<sup>®</sup> 5 \(802.11ac\) + Bluetooth<sup>®</sup> 5.3 Solution](#).

**Note:** The information on this document is subject to change without notice.

[www.nxp.com](http://www.nxp.com)

NXP and the NXP logo are trademarks of NXP B.V. All other product or service names are the property of their respective owners. The related technology may be protected by any or all of patents, copyrights, designs and trade secrets. All rights reserved. © 2024 NXP B.V.