



Addendum to HPC II User's Guide: Quick-Start Guide

This quick-start guide explains how to prepare the High-Performance Computing Platform II (HPC II) evaluation board, connect it to a host system, and boot Linux. For more information about the platform, consult the HPC II user's guide, entitled *HPC II—A High-Performance, Low-Profile Server System* (HPCIIUG).

Contents

1. Connect HPC II	2
2. Power Up and Log On	3
3. What's Inside	3

1 Connect HPC II

This section describes how to connect the HPC II system to the local host computer and configure terminal emulator software to communicate with HPC II. [Figure 1](#) shows a rear view of the HPC II evaluation board chassis.

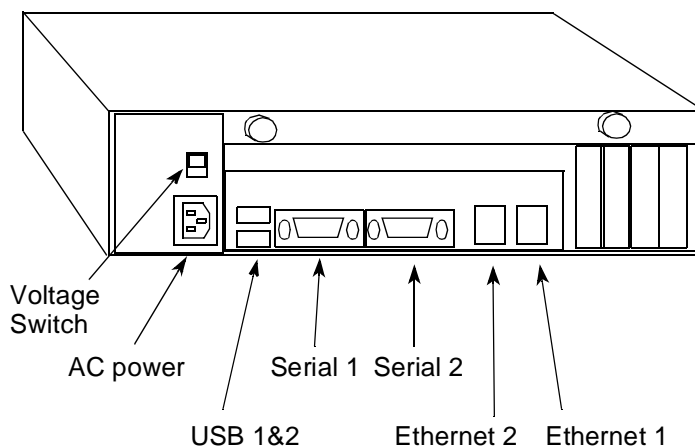


Figure 1. HPC II Evaluation Board Chassis—Rear View

To connect the Ethernet, serial, and power cables, perform the following steps:

1. Connect the AC power cable. Verify that the voltage switch is set to match the local AC power line voltage (115 V @ 60 Hz, or 230V @ 50 Hz).
2. Plug the power supply into a surge-protected strip (recommended).
3. Connect the surge-protected strip to an AC outlet.
4. Connect the serial cable between the Serial 1 connector and the host-computer serial port (COM1 or COM2).
5. If network capability is desired, connect the Ethernet cable between the Ethernet 1 port and the local network or hub (Ethernet 2 port can also be used).

Set up serial communications on the host system using a terminal emulator of choice (for example, HyperTerminal) as follows:

- Baud rate: 115200 kbps
- Data bits: 8
- Stop bits: 1
- Parity: None
- Flow control: None

Note: Due to an erratum on early revisions of the TSI108, early boards required the use of two stop bits. This issue has been fixed, and all boards now ship using one stop bit.

2 Power Up and Log On

To power up the system, press the power button on the front panel. [Figure 2](#) shows a front view of the HPC II evaluation board chassis.

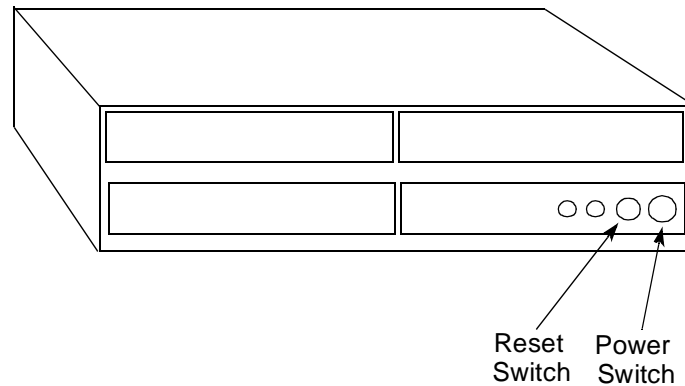


Figure 2. HPC II Evaluation Board Chassis—Front View

When powered up, the system automatically boots. By default, U-boot boots the system and automatically boots Linux. After the system powers up, log on as follows:

1. Wait for the system to boot (this may take several minutes). The terminal displays numerous messages while booting.
2. If necessary, the boot process can be interrupted by pressing any key while U-boot is booting up. Booting can be resumed by executing the **boot** command at the U-boot prompt.
3. At the login prompt, enter the user name 'root', and default password 'root'. The same username and password are also used to connect remotely through Ethernet.
4. The Linux command prompt appears, indicating that Linux has successfully booted.

3 What's Inside

This section describes how to open the case to verify factory default settings and change system hardware settings. To change system settings, or if the system does not appear to operate correctly, the case must be opened.

CAUTION:

Always observe appropriate static precautions while performing the operations described in this section.

To open the case, perform the following steps:

1. Power down the system by pressing the power button on the front panel.
2. Disconnect the AC power cable.
3. Remove the two thumbscrews at the top of the rear panel; see [Figure 3](#).

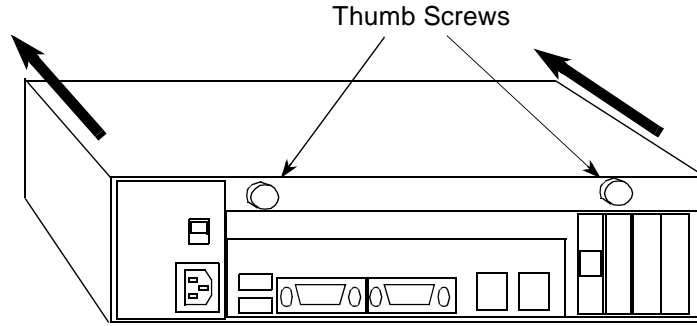


Figure 3. Removing the Cover—Rear View

5. Grasping each side of the case, slide the top of the case forward and then lift and remove the top cover. [Figure 4](#) is a diagram of the HPC II evaluation board.

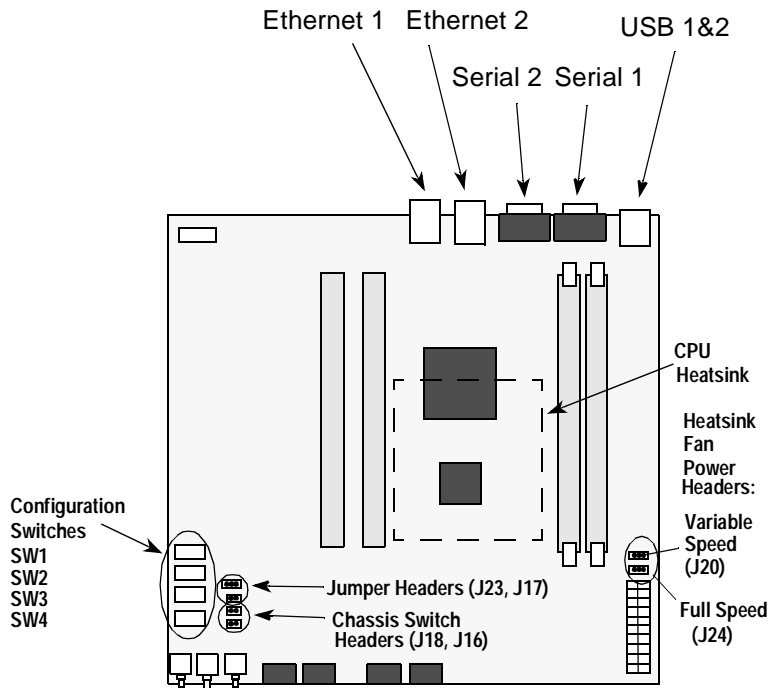


Figure 4. HPC II Evaluation Board Diagram

To confirm factory settings for jumper headers, perform the following steps:

1. Verify that no jumper is in header J17.
2. Verify the presence of a jumper between pins 1 and 2 of header J23.
3. If the heatsink includes a fan, verify that the CPU fansink power cable is connected to the full-speed fansink power header (J24).

For heatsinks without a fan, ignore this step. Note that for variable-speed fan control, the variable-speed fansink power header (J20) can be used instead. Use of J24 ensures that software does not accidentally turn the fan off because this header is always powered at full voltage.

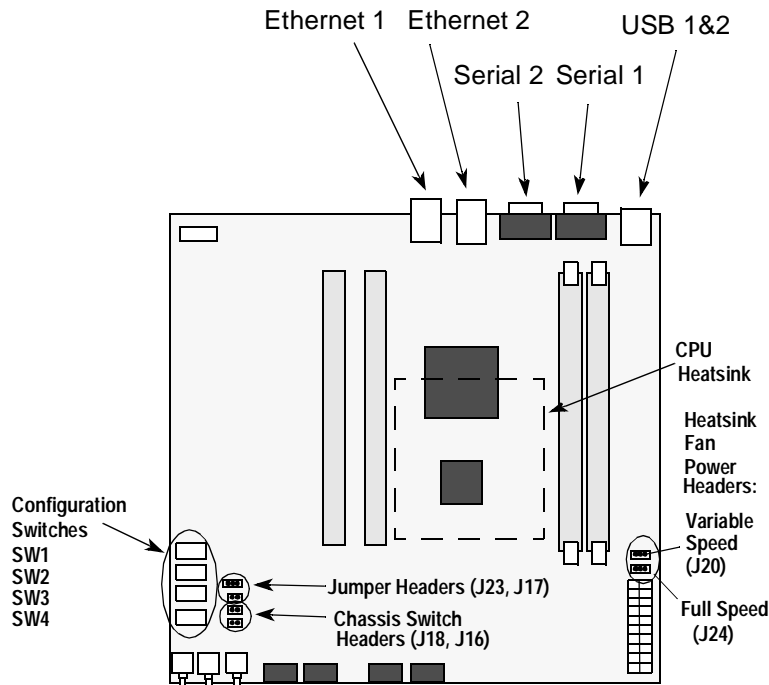
4. Verify that the chassis power switch is connected to header J18.
5. Verify that the chassis reset switch is connected to header J16.

The next procedure is to verify and/or change configuration switch settings. Switch functions and default settings are provided in the HPC II user's guide, entitled *HPC II—A High-Performance, Low-Profile Server System (HPCIIUG)*. Following are typical examples of settings or modes:

1. Boot DINK32 instead of U-boot/Linux.
Set SW3-4 (SW3, position 4) to ON.
2. Disable the USB to enable 66 MHz PCI/PCI-X capability for Slot 1, Slot 2, and SATA.
Set SW3-6 to ON (note that SW3-5 must be OFF in this case).
3. Disable USB, SATA, and Slot 2 to enable 133 MHz PCI-X capability for Slot 1.
Set SW3-5 to ON.

CAUTION:

Some switch settings, especially those controlling CPU core voltage and frequency, may cause unreliable operation and/or device damage. Consult the HPC II user's guide before changing any switch settings from their factory default positions.



THIS PAGE INTENTIONALLY LEFT BLANK

THIS PAGE INTENTIONALLY LEFT BLANK

How to Reach Us:

Home Page:

www.freescale.com

email:

support@freescale.com

USA/Europe or Locations Not Listed:

Freescale Semiconductor
Technical Information Center, CH370
1300 N. Alma School Road
Chandler, Arizona 85224
(800) 521-6274
480-768-2130
support@freescale.com

Europe, Middle East, and Africa:

Freescale Halbleiter Deutschland GmbH
Technical Information Center
Schatzbogen 7
81829 Muenchen, Germany
+44 1296 380 456 (English)
+46 8 52200080 (English)
+49 89 92103 559 (German)
+33 1 69 35 48 48 (French)
support@freescale.com

Japan:

Freescale Semiconductor Japan Ltd.
Headquarters
ARCO Tower 15F
1-8-1, Shimo-Meguro, Meguro-ku
Tokyo 153-0064, Japan
0120 191014
+81 2666 8080
support.japan@freescale.com

Asia/Pacific:

Freescale Semiconductor Hong Kong Ltd.
Technical Information Center
2 Dai King Street
Tai Po Industrial Estate,
Tai Po, N.T., Hong Kong
+800 2666 8080
support.asia@freescale.com

For Literature Requests Only:

Freescale Semiconductor
Literature Distribution Center
P.O. Box 5405
Denver, Colorado 80217
(800) 441-2447
303-675-2140
Fax: 303-675-2150
LDCForFreescaleSemiconductor
@hibbertgroup.com

Information in this document is provided solely to enable system and software implementers to use Freescale Semiconductor products. There are no express or implied copyright licenses granted hereunder to design or fabricate any integrated circuits or integrated circuits based on the information in this document.

Freescale Semiconductor reserves the right to make changes without further notice to any products herein. Freescale Semiconductor makes no warranty, representation or guarantee regarding the suitability of its products for any particular purpose, nor does Freescale Semiconductor assume any liability arising out of the application or use of any product or circuit, and specifically disclaims any and all liability, including without limitation consequential or incidental damages. "Typical" parameters which may be provided in Freescale Semiconductor data sheets and/or specifications can and do vary in different applications and actual performance may vary over time. All operating parameters, including "Typicals" must be validated for each customer application by customer's technical experts. Freescale Semiconductor does not convey any license under its patent rights nor the rights of others. Freescale Semiconductor products are not designed, intended, or authorized for use as components in systems intended for surgical implant into the body, or other applications intended to support or sustain life, or for any other application in which the failure of the Freescale Semiconductor product could create a situation where personal injury or death may occur. Should Buyer purchase or use Freescale Semiconductor products for any such unintended or unauthorized application, Buyer shall indemnify and hold Freescale Semiconductor and its officers, employees, subsidiaries, affiliates, and distributors harmless against all claims, costs, damages, and expenses, and reasonable attorney fees arising out of, directly or indirectly, any claim of personal injury or death associated with such unintended or unauthorized use, even if such claim alleges that Freescale Semiconductor was negligent regarding the design or manufacture of the part.

Freescale™ and the Freescale logo are trademarks of Freescale Semiconductor, Inc. All other product or service names are the property of their respective owners.

© Freescale Semiconductor, Inc., 2005.