

Migrating from IBM 750GX to MPC7447A

by *Douglas Hamilton*
Networking & Computing Systems Group
Freescale Semiconductor, Inc.
East Kilbride, Scotland

1 Scope and Definitions

The purpose of this application note is to provide information about migrating from the IBM 750GX processor to the MPC7447A PowerPC processor. The key differences between IBM 750GX and MPC7447A are also noted.

This application note examines the architectural differences and features that have changed and explains the impact of these changes on a migration in terms of hardware and software.

The following references are used throughout this document:

- IBM 750GX, which also applies to the G3 complex of the MPC750/740, MPC755/745 and IBM 750GX devices. Any IBM 750GX-specific features will be explicitly stated.
- MPC7447A, which applies, unless otherwise stated to the MPC7450 family of products: MPC7450, MPC7451, MPC7441, MPC7455, MPC7445, MPC7457, MPC7447, and MPC7447A. Since this document is to aid the migration from 750GX which does not support L3 cache, the L3 cache features of the MPC745x devices are not mentioned.

Contents

1. Scope and Definitions	1
2. Feature Overview	2
3. 7447A Specific Features	11
4. Programming Model	14
5. Hardware Considerations	25
6. Revision History	28

2 Feature Overview

There are many differences between the IBM 750GX and MPC7447A devices beyond the clear differences of the core complex. This chapter covers the differences between the cores and then other areas of interest including the cache configuration and system interfaces.

2.1 Cores

The key processing elements of the G3 core complex used in the 750GX are shown in [Figure 1](#) and the G4 core complex used in the 7447A in [Figure 2](#).

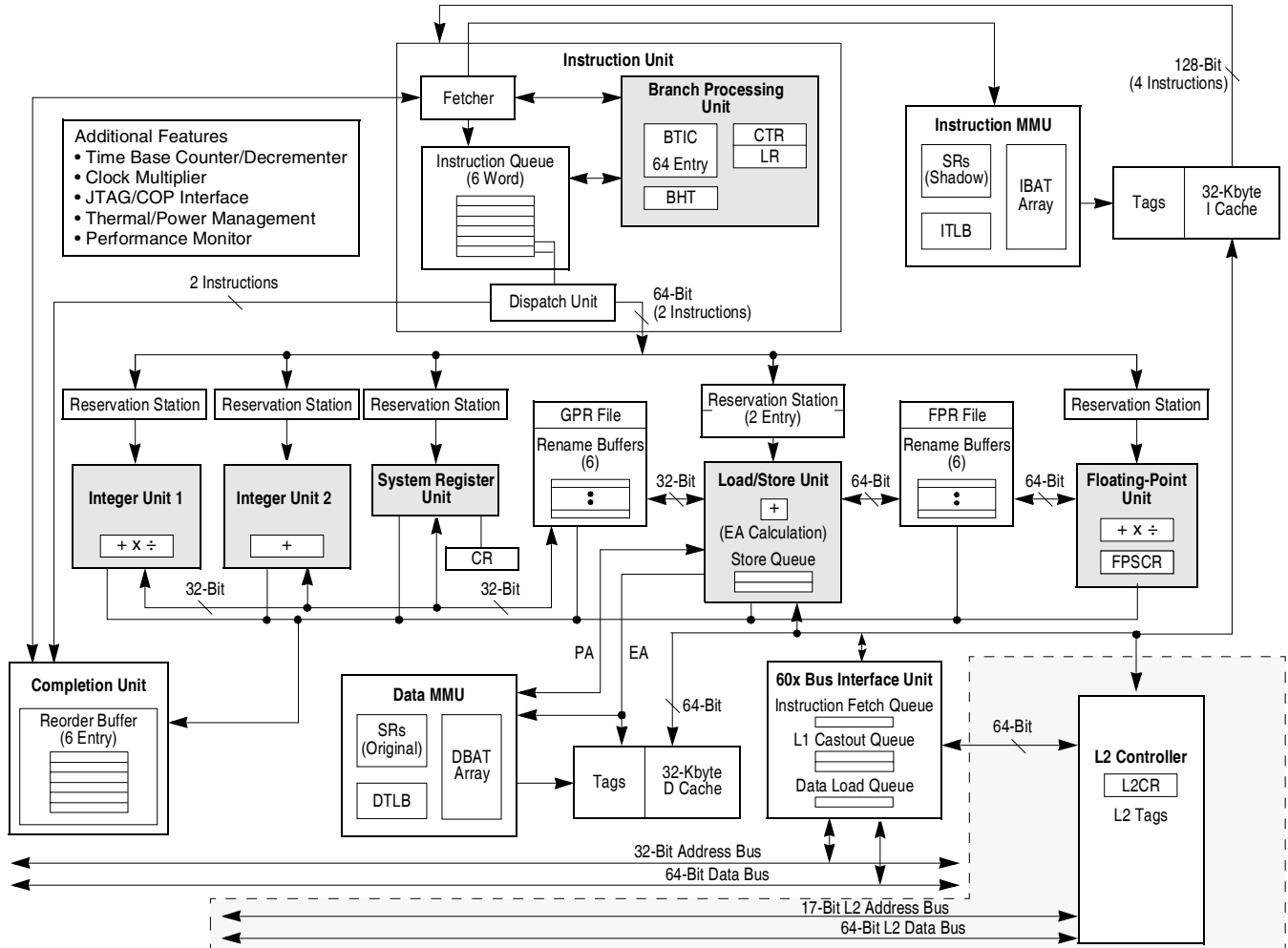


Figure 1. IBM 750GX Core Complex

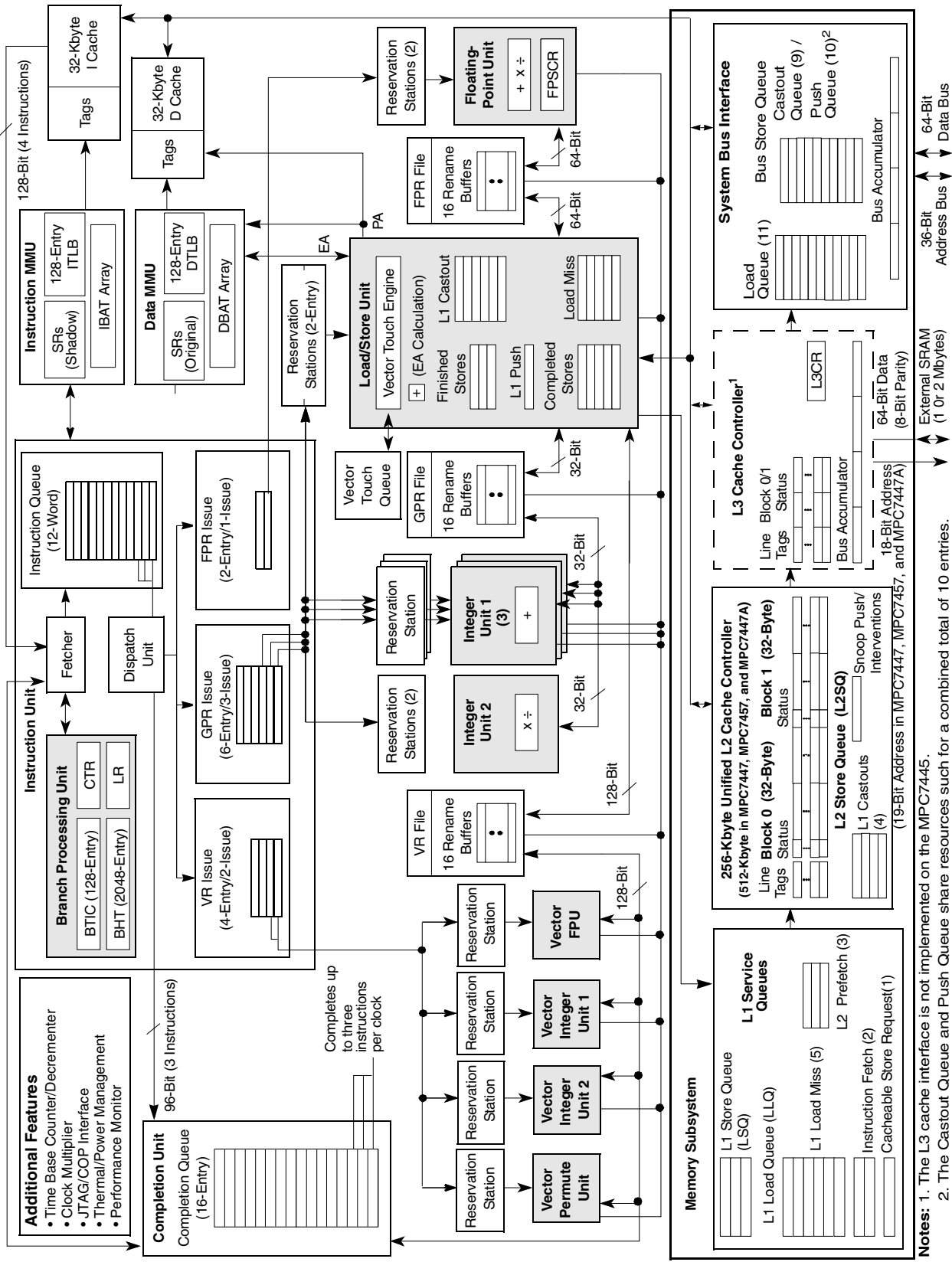


Figure 2. MPC 7447A

Notes: 1. The L3 cache interface is not implemented on the MPC7445.
 2. The Castout Queue and Push Queue share resources such for a combined total of 10 entries. The Castout Queue itself is limited to 9 entries, ensuring 1 entry will be available for a push.

Migrating from IBM 750GX to MPC7447A, Rev. 2

2.1.1 Integer Units

Fixed unit 1 (FXU1) and Fixed unit 2 (FXU2) are the complex and simple integer units respectively. The multiply and divide instructions of FXU1 are multi-cycle, while all other operations are completed in a single cycle. Both of the integer units operate on 32 32-bit registers. Table 1 shows the operations that each fixed unit can perform. Each unit consists of three parts, an adder/comparator, logical and a shift/rotate unit. In addition to these standard units, FXU1 also has a multiply/divide unit.

Table 1. FXU Operations

Operation	FXU1	FXU2
Add, shift, logical functions	Yes	Yes
Multiply/divide	Yes	No

Like the IBM 750GX, the MPC7447A has one complex integer unit with the same functionality as FXU1. However, it has three simple integer units like FXU2, instead of one. A good compiler can take advantage of these three simple integer units when presented with a combination of instructions that have multi-cycle latencies. Such a combination would tie up two of the integer units, allowing the remaining units to start executing. Thus stalling would be prevented. In addition, the MPC7447A has 16 general purpose registers (GPR) rename buffers to support the 16-entry completion queue, as compared to the six-entry completion queue for the IBM 750GX. The floating-point can also source rename buffers as a source operand without waiting for the value to be committed and retrieved from a GPR.

2.1.2 Floating-Point Units

The IBM 750GX floating-point unit has 32 64-bit registers for single-precision and double-precision IEEE-754 standards. Different operations have various latencies associated with them due to the 3 stage pipeline with multiply, add and normalize stages. The latency/throughput varies from 3/1 clock cycles for single multiply-add, increasing to 4/1 clocks for double multiply and double multiply-add since two cycles are required in the multiply unit.

The MPC7447A floating-point unit meets the same standards for IEEE-754 precision and, in addition, has an increased pipeline depth of five stages to allow even double precision calculations to have a one-cycle throughput. Although the latency is increased, the overall throughput is better for the majority of double-precision calculations. The floating-point can also source rename buffers as a source operand without waiting for the value to be committed and retrieved from a fixed point register (FPR).

2.1.3 Instruction Queues

The instruction queue in the IBM 750GX can hold up to six instructions. While the instruction queue depth allows, the instruction fetcher retrieves up to the four instructions maximum per clock. Two instructions can be dispatched simultaneously to fixed or floating point units, the branch processing unit and load/store unit[punctuation] to execute in a four-stage pipeline containing fetch, dispatch, execute, and complete stages.

The MPC7447A offers a twelve-slot instruction queue with a maximum of four fetches per cycle and can dispatch up to three instructions per cycle to any of the eleven instruction units: the branch processing unit, the four integer units, the floating-point unit, the four 128-bit (AltiVec) vector units, or the load/store unit.

2.1.4 Branch Processing Unit

The branch processing unit found in the IBM 750GX can process one branch while resolving two speculative branches per cycle. It uses a 512-deep branch history table (BHT) for dynamic branch prediction to produce four possible outcomes (not taken, strongly not taken, taken, strongly taken) and incorporates a 64-entry branch target instruction cache (BTIC) to reduce branch delay slots by supplying the next instruction(s) from this cache for a particular branch target address, rather than from the instruction cache, preventing a 1-clock-cycle penalty.

In contrast, the MPC7447A processes one branch per cycle like the IBM 750GX but can resolve three speculative branches per cycle. The increased BHT with 2048 entries offers the same four prediction states but with the advantage of a larger size. In addition, the BHT can be cleared to weakly not taken, using `HID0[BHTCLR]`. The BTIC is twice the size of the IBM 750GX, providing 128 entries arranged as 32 sets using a 4-way set-associative arrangement.

2.1.5 Completion Unit

The completion unit works in the IBM 750GX with the dispatch unit so that it can track dispatched instructions and retire them to the completion queue in order. In following with the dispatch unit, two instructions can be retired per clock cycles cycle, providing that there are slots available in the completion queue. When the instruction is removed from the queue, the rename buffers must have been freed and any results written to processor registers such as GPRs, FPRs, link register (LR), and counter (CTR).

For the MPC7447A, due to deeper pipelines, we can have up to sixteen instructions at some stage of pipeline processing and retire a maximum of three instructions per clock to one of the sixteen completion queue slots.

2.2 Pipeline Comparison

The difference in pipeline depths between the IBM 750GX and MPC7447A is significant. With the IBM 750GX, the minimum depth has been kept to a rather short four stages of instruction; fetch, dispatch/decode, execute, and complete. Write back is included in the complete stage. The pipeline diagram for the IBM 750GX is shown in [Figure 3](#).

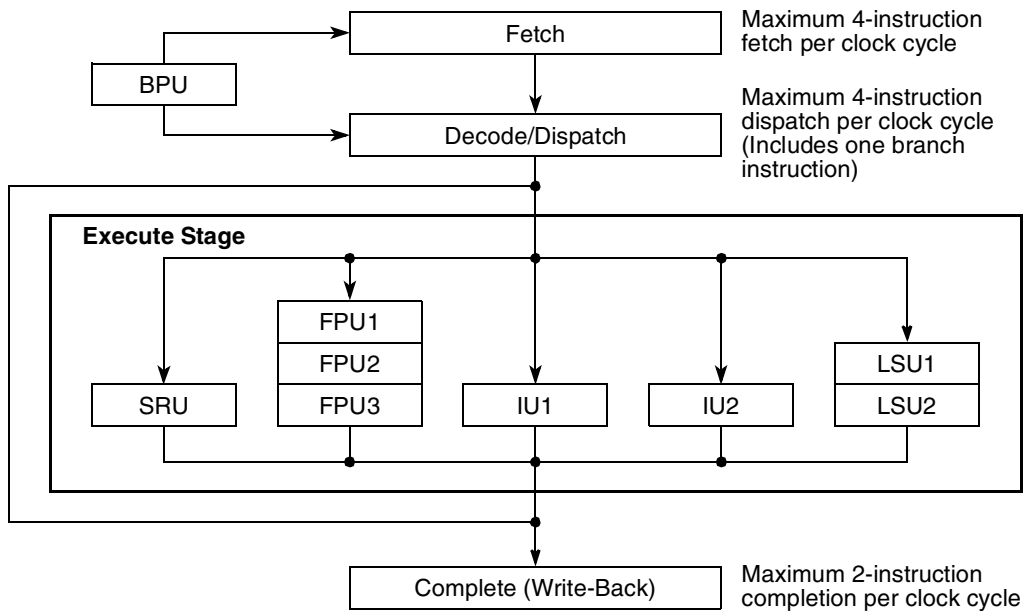


Figure 3. IBM750GX Pipeline Diagram

Figure 3 shows a maximum depth of six stages using the floating-point unit. If branch prediction does not work well for a particular application, having a short pipeline is advantageous due to a fairly small pipeline flushing penalty. However, branch prediction and modern compilers can, more often than not, prevent frequent pipeline flushes. As a result, the completion rate of two instruction retirements per clock becomes more of a performance bottleneck. It is also worth noting that the IBM 750GX will not be able to sustain clock rates of much greater than 1.1GHz without increasing the depth of the pipeline.

With a minimum depth of seven stages, the MPC7447A pipeline, shown in Figure 4, boasts efficient use of its additional hardware resources by dispatching three instructions per cycle to its execution units as well as the ability to retire three instructions per cycle. Due to the higher maximum frequency of the 7447A (up to 1.5GHz) the extra pipeline depth is required to make efficient use of faster running pipeline stage hardware, reducing the latency of certain instructions, such as many floating point and complex integer instructions. Compilers can take advantage of the extended pipeline to ensure that the target maximum of 16 instructions in flight at any one time is achieved as closely as possible.

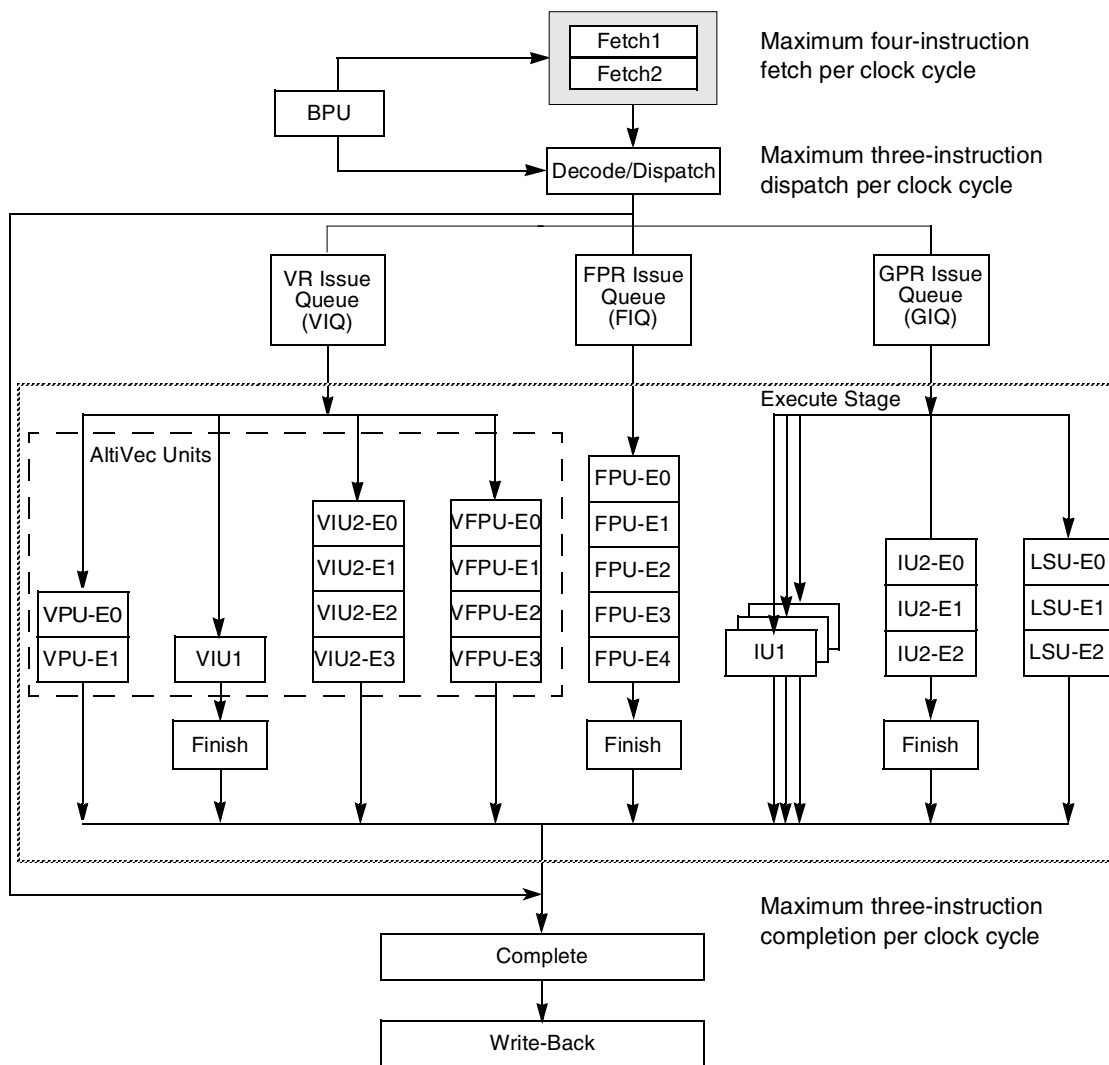


Figure 4. MPC7447A Pipeline Diagram

2.3 L1 and L2 Cache

Table 2 summarizes the differences if L1 and L2 cache configuration.

Table 2. L1 and L2 Cache Configurations

Cache	Description	IBM 750GX	MPC7447A
L1	Size, configuration	32 Kbyte Instruction, 32 Kbyte Data 8-way set associative	32 Kbyte Instruction, 32 Kbyte Data 8-way set associative
	Memory Coherency	MEI (Data only)	MESI (Data only)
	Locking	Completely	By way
	Replacement policy	Pseudo-least-recently used (PLRU)	Pseudo-least-recently used (PLRU)
	Per page/block write configuration	Write-back or write-through (Data)	Write-back or write-through (Data)
L2	Size, configuration	1MB, 4-way set associative Two 32 byte blocks/line	512KB, 8-way set associative (7447A) 1MB, 8-way set associative (7448) Two 32 byte blocks/line
	Memory Coherency	MEI	MESI
	Locking	By way	Completely
	Replacement policy	Pseudo-least-recently used (PLRU)	3 bit counter or pseudo random
	Parity	8 bits/64 bytes on tags	8 bits/64 bytes on tags and data

2.4 MMU

Figure 5 shows the standard PowerPC MMU translation method. The presence of translation lookaside buffers (TLB) and page table search logic is optional although both implementations incorporate them.

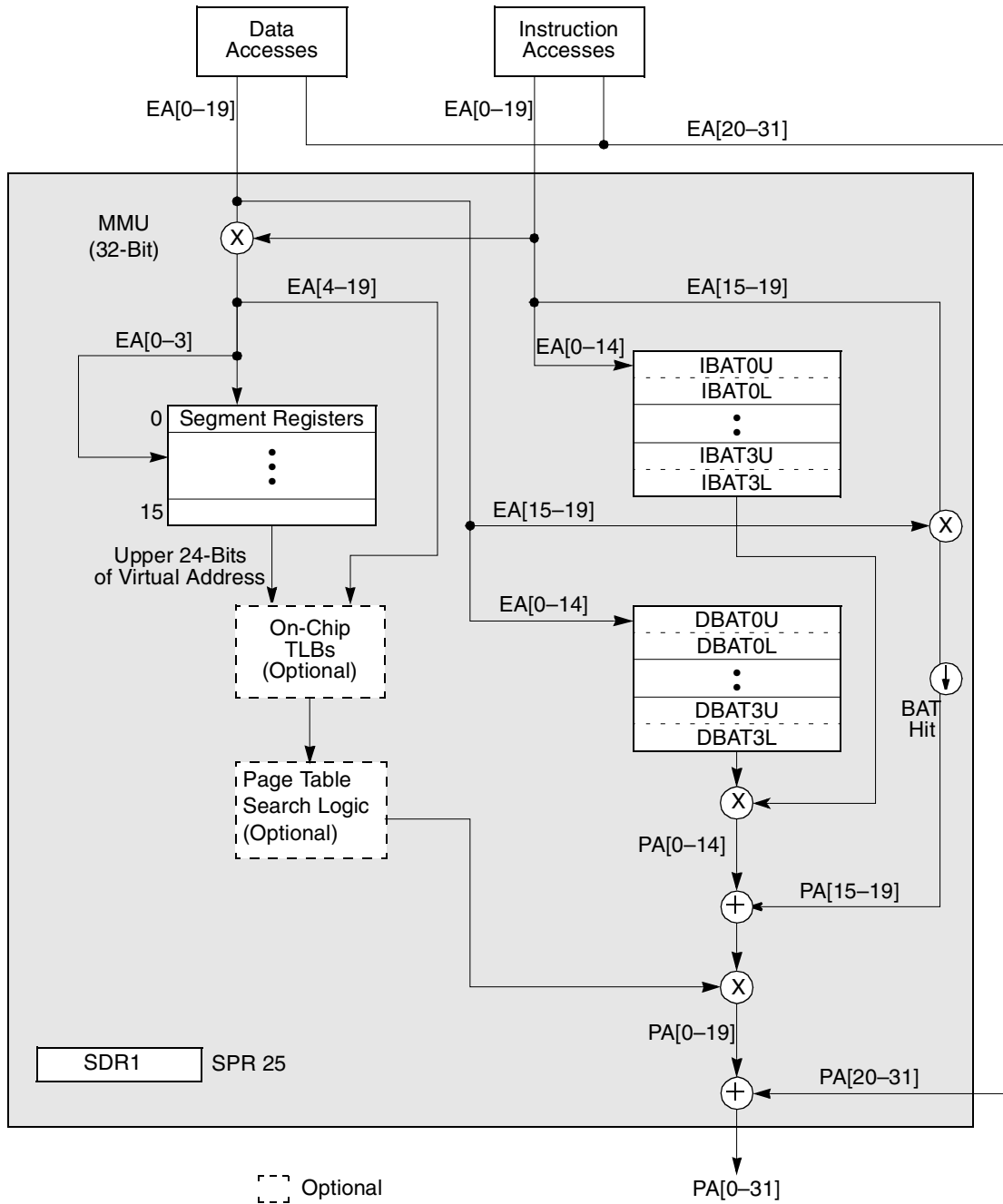


Figure 5. Effective to Physical Mapping

Both the IBM 750GX and MPC7447A offer the same common features as seen below,

- 128 entry, 2-way associative instruction TLB and data TLB
- eight data BAT and eight instruction BAT
- Translation for 4 Kbyte page size and 256 Mbyte segment size

- Block sizes from 128 Kbyte to 256 Mbyte (4 Gbyte for MPC7447A)

The main difference is the fact that the MPC7447A can support 36-bit physical addressing by enabling HID0[XAEN], thus allowing the increased 64 Gbyte memory space. The extended block size of greater than 256 Mbyte is enabled by asserting HID0[XBSEN] and HID0[HIGH_BAT_EN], and using the extra XBL field in the upper BAT registers to select larger blocks up to 4Gbyte. The increased area of memory that can be mapped per BAT means that the programmer does not have to use multiple BATs to map multiple sequential 256 Mbyte blocks on the MPC7447A.

The other added feature on the MPC7447A is software support for page table searching to offer a custom page table entry and searching operation if required.

2.5 System Interface

Both the IBM 750GX and MPC7447A support the 60x bus protocol. The MPC7447A also supports the MPX bus protocol which is a more efficient protocol based on the 60x implementation. [Table 3](#) highlights the differences in the IBM 750GX and MPC7447A 60x support.

Table 3. 60x Bus Features

IBM 750GX 60x Features	MPC7447A 60x Features
32 bit addressing with 4 bits odd parity	36 bit addressing with 5 bits odd parity
64 bit data bus with 8 bits odd parity, 32 bit data bus support	64 bit data bus with 8 bits odd parity
Three state MEI cache coherency protocol	Four state MESI cache coherency protocol
L1 and L2 snooping support for cache coherency	L1 and L2 snooping support for cache coherency
Address-only broadcast instruction support	Address-only broadcast instruction support
Address pipelining	Address pipelining
Support for up to 5 outstanding transactions (one instruction, four data)	Support for up to 16 outstanding transactions
200Mhz maximum bus speed	167Mhz maximum bus speed

In addition, the MPC7447A supports an MPX bus mode offering of up to 16 out-of-order transactions, data streaming, and data intervention for MP systems. These features make the system bus operation much more efficient, thus increasing the effective bandwidth available in the system. The advantages of the MPX bus can be found in the MPX Mode section under MPC7447A Added Features.

2.6 Thermal Assist Unit

The Thermal Assist Unit (TAU) used in the IBM 750GX provides a means of monitoring the junction temperature, offering an advantage over case or cabinet temperature readings since the die temperature would be very different.

The TAU can operate on a one or two threshold system whereby the threshold values are programmed into one or two of the TAU's four special purpose registers. When the temperature reaches one of these

thresholds an interrupt is generated allowing software to take appropriate action to reduce the temperature accordingly.

Instead of the TAU the MPC7447A incorporates a temperature diode that connects to an external temperature monitor device. These devices are widely available from vendors such as Analog Devices, Maxim and National Semiconductor. Using the negative temperature coefficient of the diode at a constant current, the monitor device can determine the junction temperature. Figure 6 shows how the monitoring device can be connected directly to the anode and cathode of temperature diode on the MPC7447A. The monitor chip is also connected via the 60x or MPX bus to a bridge chip/system controller which then communicates with the monitor chip itself using I2C. This second connection allows thresholding values to be defined so that the monitor chip can generate interrupts via the bridge chip in a similar manner to the TAU in the IBM 750GX.

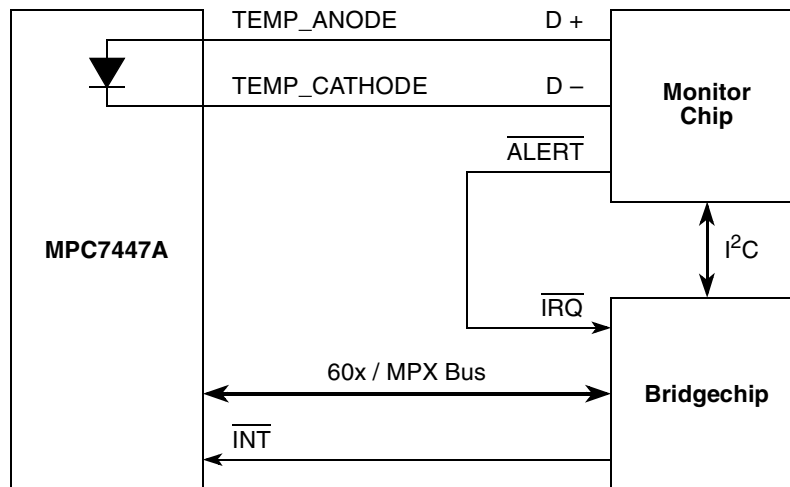


Figure 6. Temperature Monitoring Device Connection

3 7447A Specific Features

This section briefly introduces some major features of MPC7447A devices that are not available on the IBM 750GX and explains how these features can offer significant performance improvements.

3.1 Altivec

Perhaps the most notable difference between the IBM 750GX and MPC7447A is that of Altivec. It is a short vector parallel extension of the PowerPC architecture in terms of both instructions and hardware. It is available on all MPC7450 family devices and can offer up to 11x performance on significant vs. scalar implementations of some applications.

The key features of Altivec are:

- 162 new powerful arithmetic and conditional instructions for intra and inter-element, for example parallelism support
- 4 operands per instructions, 3 sources and 1 destination
- Pipelined execution units to give

- 1 cycle latency for simple and permute operations
- 3-4 cycle latency for compound/complex operations
- No penalty for issuing AltiVec/Integer instruction mix

The new instructions allow vector/SIMD operations on 128-bit wide vector registers (VR) through any of the four AltiVec execution units: permute, simple, complex, and float, each of which have 2-, 1-, 4- and 4-stage pipes respectively. These 128-bit VRS can be used as single 128-bit quantity. In addition, VRs can also be used to provide varying levels of parallelism, yielding a maximum of 16 operations per instruction on 8-bit quantities, or to put into a more comparable format four 32-bit integer-based operations per instruction. These different levels of parallelism can be seen in Figure 7, 16x8 bit, 8x16 bit or 4x32 bit.

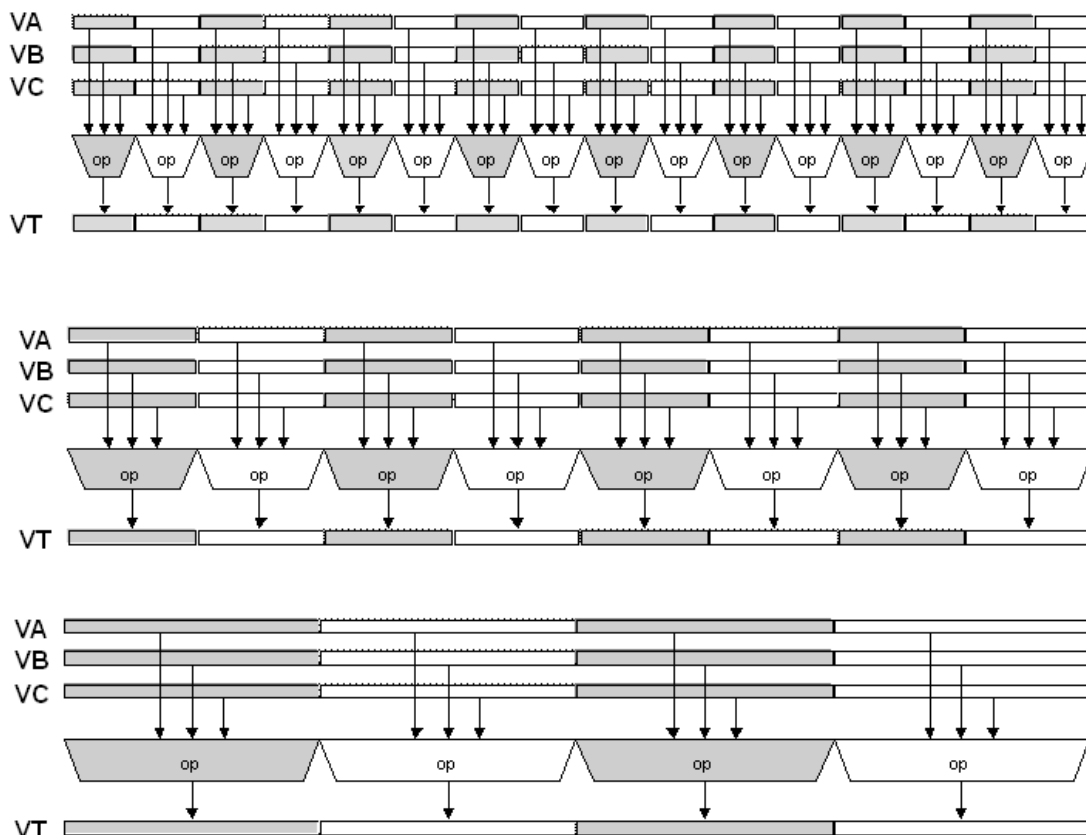


Figure 7. AltiVec Degrees of Parallelism

Further explanation of AltiVec implementation and benefits would be out of the scope of this document and therefore please refer to MPC7450 RISC Microprocessor Family User’s Manual for additional information.

3.2 Comparing MESI and MEI

Another important difference is the difference between the MEI cache coherency features on the 750GX and the enhanced MESI capability of the 7447A. These protocols are used as a coherency mechanism in SMP (Symmetric Multi-Processing) configurations to indicate the relationship between 32-byte blocks stored in cache and their corresponding blocks in main memory. In an SMP system, some or all of the main

memory is shared. Therefore, it is important to find the most efficient method of maintaining coherency across the caches and memory of the CPUs.

MEI refers to the cache coherency states available in the 750GX:

- Modified (M) This block is modified with respect to main memory
- Exclusive (E) This block is valid and only present in this CPU's cache
- Invalid (I) This block is invalid with respect to main memory

An example of an MEI protocol operation is a dual processor SMP system using 750GX processors. The processors and CPU1 and CPU2 operate on a shared area of memory. If CPU1 loads a cache line from this area of main memory it is marked as Exclusive with the assumption that the cache has been flushed on both CPUs. If, however, CPU2 snooped the read request from CPU1 and already had a modified in its cache, then it would have changed its MEI status to Invalid and pushed the block into main memory causing CPU1 to wait for and then read the latest version of the data. Then, if CPU2 tries to read the data again, it must read it from main memory; and to make the situation worse, CPU1 may have since modified the data in its cache. If CPU1 did modify the data then CPU2 would have to wait for CPU1 to write its data back to memory for the CPU2 to access.

The extra bandwidth used and time wasted in waiting for each CPU to write its cache block back to memory for the other CPU to access is a very inefficient use of the bus. To help combat this problem the MPC7447A supports the MPX bus which extends the 60x functionality with some efficiency improvements as discussed in the next section. The main method used to improve performance on MPC7447A was to incorporate the MESI protocol which includes the new shared state:

- Shared (S) - This block exists in multiple caches and is consistent with main memory, for example, it is read only

The addition of this state reduces the wasted time and bandwidth associated with MEI coherency and requires an additional 60x/MPX signal called $\overline{\text{SHD}}$. If we look at the previous example it is easy to see the benefits of the MESI over MEI. If CPU1 tried to read a block of main memory to its cache, CPU2 would snoop the transaction as before but this time assert the $\overline{\text{SHD}}$ signal to tell CPU1 that it also has a cached copy of this block. CPU1 would load the block into its cache with shared status and CPU2 would change its cache entry to shared from exclusive, allowing both CPUs to access the data quickly from cache provided that the data is only.

3.3 MPX Mode

The MPX bus protocol is based on the 60x bus protocol. It also includes several additional features that allow it to provide higher memory bandwidth than the 60x bus and more efficient utilization of the system bus in a multiprocessing environment.

Memory accesses that use the MPX bus protocol are divided into address and data tenures. Each tenure has three phases: bus arbitration, transfer, and termination. The MPX bus protocol also supports address-only transactions. Note that address and data tenures can overlap. One of the key differences to the 60x bus is that the MPX does not require an idle cycle between tenures. To illustrate the importance of this difference, consider the following example:

- 100Mhz 60x bus:
 - Transfer rate = (32 bytes / 5 clock cycles) * 100MHz = 640MB/s
- 100Mhz MPX bus:
 - Transfer rate = (32 bytes / 4 clock cycles) * 100MHz = 800MB/s

Also, taking into account the higher bus speeds of 167MHz available on the 7447A, this figure is scaled accordingly to give significant increase to 1336MB/s, which compares favorably to the 750GX 1280MB/s maximum with its 200MHz 60x bus.

The address and data tenures in the MPX bus protocol are distinct from one another and each tenure consists of three phases—arbitration, transfer, and termination. The separation of the address and data tenures allows advanced bus techniques—such as split-bus transactions, enveloped transactions, and pipelining—to be implemented at the system level in multiprocessor systems.

The MPX bus mode's support for data intervention and full data streaming for burst reads and writes is realized through the addition of two new signals—HIT and DRDY.

The HIT signal is a point-to-point signal output from the processor or local bus slave to the system arbiter. This signal indicates a valid snoop response in the address retry (ARTRY) window (the cycle after an address acknowledge (AACK) that indicates that the MPC7447A will supply intervention data). Intervention occurs when the MPC7447A has the data that has been requested by another master's bus transaction in its L1 or L2. Instead of asserting ARTRY and flushing the data to memory, the MPC7447A may assert HIT to indicate that it can supply the data directly to the other master. This external intervention functionality is disabled by MSSCR0[EIDIS]. The DRDY signal is also used by the MPX bus protocol to implement data intervention in the case of a cache hit. The SHD1 signal operates in conjunction with the SHD0 signal to indicate that a cached item is shared.

MPX mode offers one final improvement to the 60x with support for out of order transactions. As mentioned previously the MPC7447A supports up to 16 outstanding transactions compared to the 5 supported by the 750GX. This means that the MPC7447A has increased efficiency with its deeper pipeline of transactions. A further improvement specific to MPX mode is that these transactions can be out of order, allowing lower latency devices to return data as soon as they are ready, without waiting for higher latency devices to return data first just because their transaction was first.

4 Programming Model

Both the IBM 750GX and MPC7447A have to support the PowerPC standard architecture in order to retain compatibility in user mode. Recompile is not necessary for the IBM 750GX user code to execute properly on the MPC7447A. However, in supervisor mode there are many differences between device dependent registers; even though some of the names are the same, the fields are often changed in name and/or bit position. There are also additional registers in different PowerPC implementations to support additional features. This section maps the supervisor level registers between IBM 750GX and MPC7447A and points out any additional or device specific features.

The diagrams below show the IBM 750GX and MPC7447A programming model respectively.

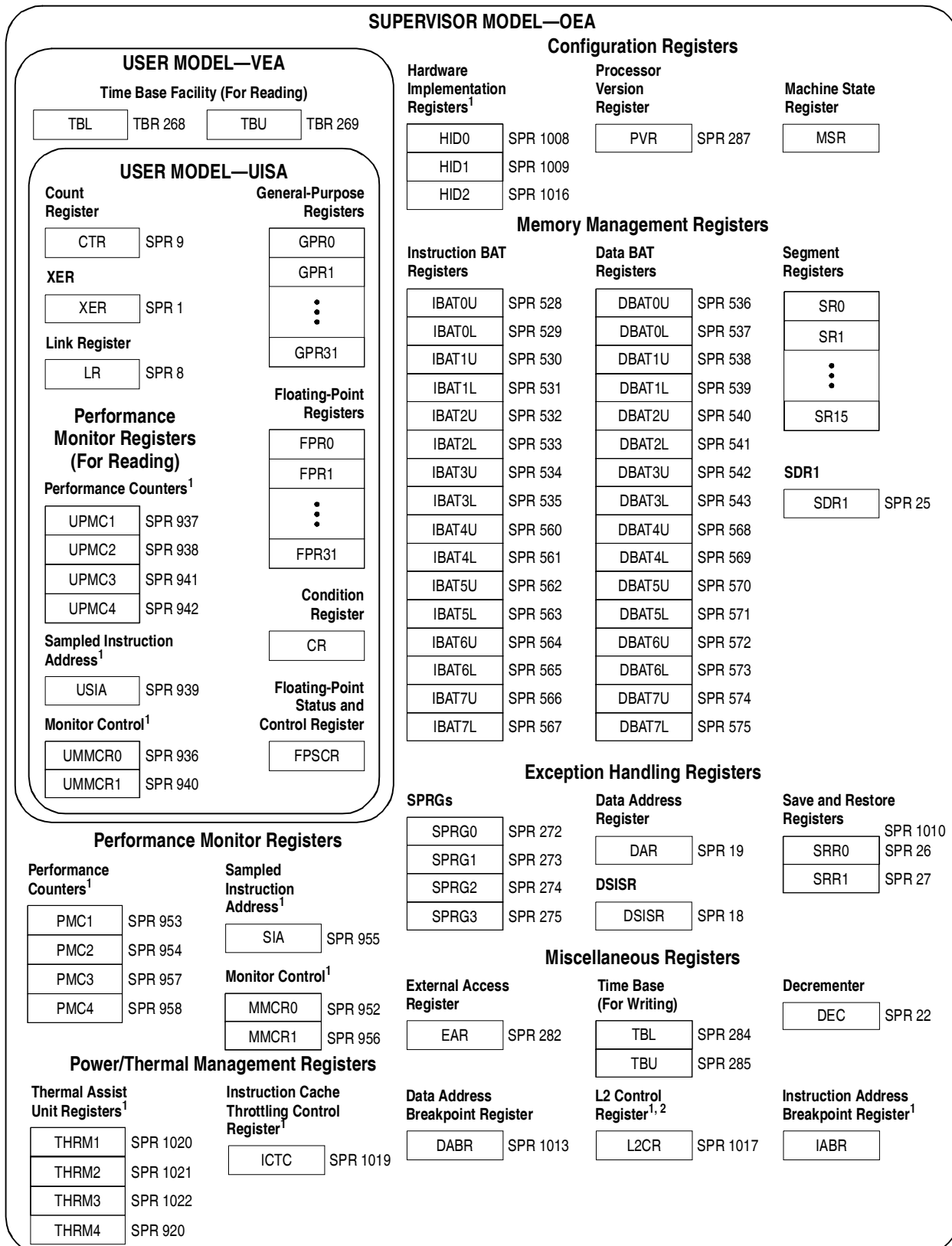


Figure 8. 750GX Registers

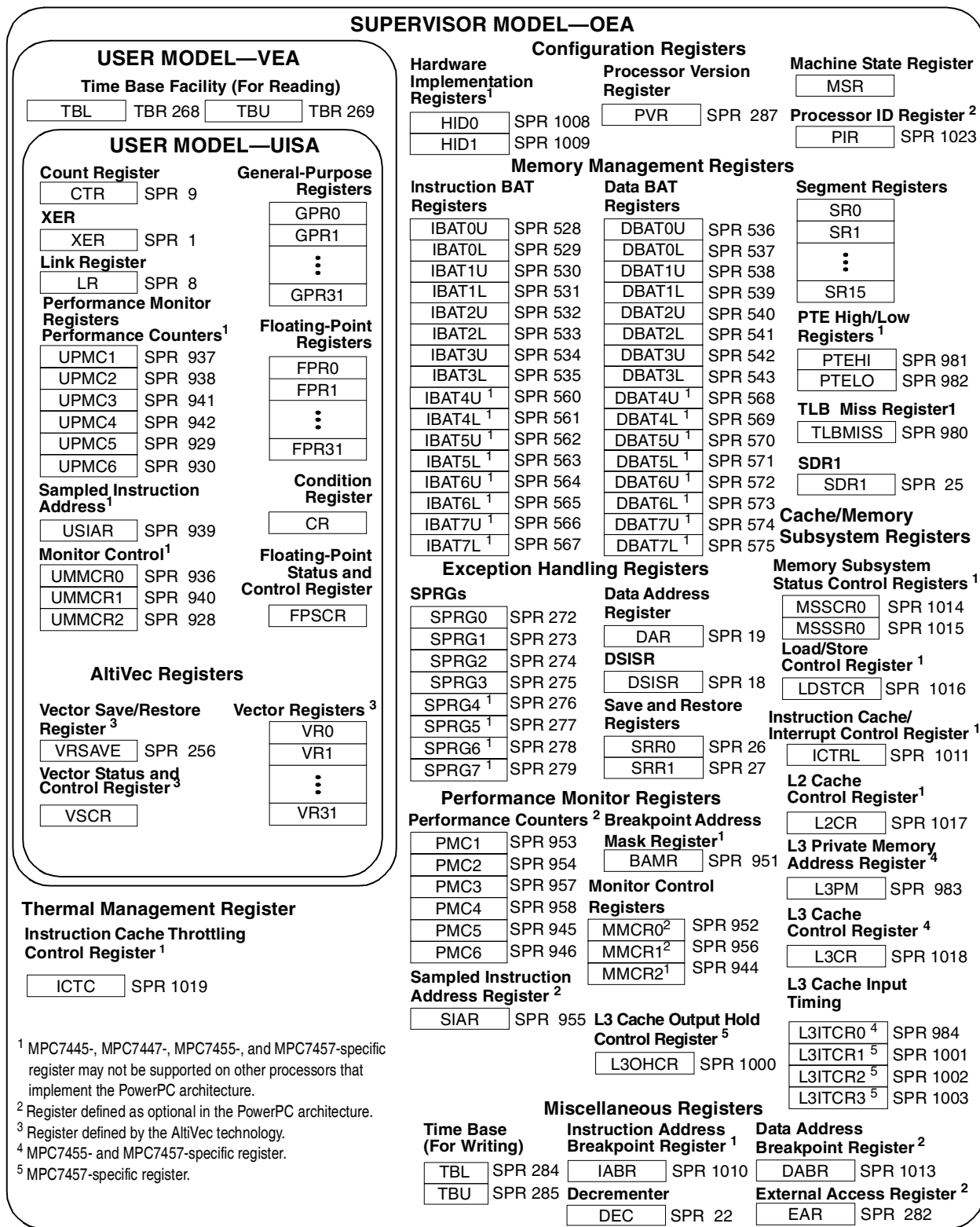


Figure 9. 7447A Registers

4.1 Differences in HID0 and HID1

Although both the IBM 750GX and MPC7447A have both of these registers defined in their implementation, the registers are optional to the standard and therefore differences in bit settings between devices do exist. Table 4 summarizes these differences and shows the mapping of fields between devices.

Table 4. IBM 750GX HID0 to MPC7447A Mapping

Function	IBM 750GX	MPC7447A
Enable MCP	HID0[EMCP]	HID1[EMCP]
Disable 60x bus address and data parity generation	HID0[DBP]	N/A ¹
Enable 60x bus address parity checking	HID0[EBA]	HID1[EBA]
Enable 60x bus data parity checking	HID0[EBD]	HID1[EBA]
Disable precharge of $\overline{\text{ARTRY}}$	HID0[PAR]	HID1[PAR]
Doze mode enable	HID0[DOZE]	N/A ²
Nap mode enable	HID0[NAP]	HID0[NAP]
Sleep mode enable enable	HID0[SLEEP]	HID0[SLEEP]
Dynamic power management enable	HID0[DPM]	HID0[DPM]
Read instruction segment register	HID0[RISEG]	N/A ³
Miss-under-miss enable enable	HID0[MUM]	N/A ⁴
Not a hard reset	HID0[NHR]	HID0[NHR]
Instruction cache enable	HID0[ICE]	HID0[ICE]
Data cache enable	HID0[DCE]	HID0[DCE]
Instruction cache lock	HID0[ILOCK]	HID0[ILOCK]
Data cache lock	HID0[DLOCK]	HID0[DLOCK]
Instruction cache flush invalidate	HID0[ICFI]	HID0[ICFI]
Data cache flush invalidate	HID0[DCFI]	HID0[DCFI]
Speculative data and instruction cache disable	HID0[SPD]	HID0[SPD]
Enable M bit on bus for instruction fetches (M from WIM states)	HID0[IFEM]	HID0[23] ⁵
Store gathering enable	HID0[SGE]	HID0[SGE]
Data cache flush assist	HID0[DCFA]	HID0[25] ⁶
BTIC enable	HID0[BTIC]	HID0[BTIC]
Address broadcast enable	HID0[ABE]	HID1[ABE] ⁷

Table 4. IBM 750GX HID0 to MPC7447A Mapping (continued)

Function	IBM 750GX	MPC7447A
Branch History Table enable	HID0[BHT]	HID0[BHT]
No-op the data cache touch instructions	HID0[NOOPTI]	HID0[NOOPTI]

- ¹. Not available in MPC7447A implementation.
- ². Not required on MPC7447A due to processor-system handshake protocol system explained in Power Management.
- ³. Not implemented. For test only on the 750GX.
- ⁴. Always enabled in MPC7447A implementation. The IBM 750GX supports 4 outstanding misses (3 data and 1 instruction or 4 data) and the MPC7447A supports 5 outstanding data misses.
- ⁵. Reserved. Used for IFEM in earlier processors but is also used for Extended BAT Block Size Enable.
- ⁶. Reserved. Defined as DCFA on earlier processors.
- ⁷. Must be enabled in multiprocessing systems. HID1[SYNCBE] enables address broadcast for sync and eieio instructions.

4.2 Power Management

Although the IBM 750GX and MPC7447A are very similar, there are differences in power management functionality. This section only mentions the differences. Features like Instruction Cache Throttling to slow the instruction dispatch rate is the same in both implementations. Both implementations support the four states: Full Power, Doze, Nap and Sleep.

From [Table 4](#) above you should note that there is no HID0[DOZE] bit for the MPC7447A and this is because the MPC7447A enters Doze mode when requested by the processor-system protocol. The processor can transition to Doze mode from:

1. Full Power, if HID0[NAP] or HID0[SLEEP] is asserted and the core is idle.
2. Nap, if the system negates \overline{QACK} to signal a snoop operation is outstanding.

It can transition from Doze mode to:

1. Full Power, following one of many possible interrupts: external, \overline{SMI} interrupt, \overline{SRESET} , \overline{HRESET} , machine check or decremter interrupt.
2. Nap, if the system asserts \overline{QACK} with HID0[NAP] set.

or

3. Sleep, if system asserts \overline{QACK} with HID0[SLEEP] set.

Additionally, the MPC7447A has a Deep Sleep mode which can offer further power savings from Sleep mode by turning off the PLL by setting PLL_CFG to 0xF and hence allowing the SYSCLK source to be disabled.

For further explanation on standard power management features between both implementations please refer to the MPC7450 RISC Microprocessor Family User's Manual.

4.2.1 PLL Configuration

HID1 primarily holds PLL configuration and other control bits in both the IBM 750GX and MPC7447A. However, there are a couple of differences as shown below, due to the dual PLL in the 750GX, as compared to the Dynamic Frequency Selection (DFS) in the MPC7447A (not featured in other current MPC7450

family devices). For this reason, there is not a direct mapping between the two. The concept behind both schemes is to save power by reducing the core clock rate when full rate is not required.

4.2.1.1 Dual PLL Configuration

The 750GX has dual PLL allowing the frequency to be selected from PLL0 or PLL1 where the transition is controlled through software. A change in clock frequency will take three cycles to complete.

Due to the presence of dual PLL, a change in frequency involves a few parameters to be changed in sequence. An example of this would be in changing from PLL0 as the source currently to PLL1 as shown,

1. Configure PLL1 to produce the desired clock frequency, by setting HID1[PR1] and HID1[PC1] to the appropriate values. Bear in mind there is a delay until PLL1 locks which we have to wait for.
2. Set HID1[PS] to select PLL1 as the processor clock source.
3. After 3 cycles PLL1 will be the source and the HID1 status fields will be updated.

Table 5 below shows the fields in HID1 required to configure and change between the two PLL.

Table 5. IBM 750GX HID1/Dual PLL Settings

Function	IBM 750GX
PLL external configuration, PLL_CFG[0-4] (Read only)	HID1[PCE]
PLL external range configuration (Read only)	HID1[PRE]
PLL status/selection	HID1[PSTAT1]
Enable external clock, CLKOUT	HID1[ECLK]
Internal clock to output, CLKOUT, selection	HID1[9-11] ¹
PLL0 internal configuration select	HID1[PIO]
PLL select	HID1[PS]
PLL0 configuration	HID1[PC0]
PLL0 range select	HID1[PR0]
PLL1 configuration	HID1[PC1]
PLL1 range select	HID1[PR1]

¹: 000 - Factory use, 001 - PLL0 core clock (freq/2), 010 - Factory use, 011 – PLL1 core clock (freq/2), 100 - Factory use, 101 - Core clock (freq/2)

The PLL range is configured according to the frequency ranges shown in Table 6.

Table 6. PLL Range Configuration

PLL_RNG[0:1]	PLL Frequency Range
00 (default)	600 MHz–900 MHz
01 (fast)	900 MHz–1.0 GHz
10 (slow)	500 MHz–600 MHz
11 (reserved)	Reserved

4.2.1.2 DFS Configuration

The configuration of DFS is comparatively simple given the fact that it does not use dual PLL. DFS allows the core clock frequency to be halved.

To illustrate the simplicity of the DFS features:

1. The frequency is switched completely “on the fly”.
2. This change occurs in only one clock cycle.
3. It requires zero any idle time or operations before or during the transition.

Considering the following equation:

$$P = (C \cdot V^2 \cdot f) + PDS$$

Where: P = core power consumption

C = effective capacitance (approx. as a constant)

V = core voltage, VDD

f = core frequency, fCORE

PDS= deep sleep mode power consumption Excluding deep sleep mode power consumption, which is a minimum fixed power cost for an inactive core, the dynamic power consumption of the device is halved when DFS is applied. Note that static (leakage) power is not affected by DFS, so the power consumption with DFS enabled is not exactly 50% of the full-power consumption. This provides a significant advantage in supporting dynamic processing requirements in power sensitive applications.

Figure 7 shows the bits corresponding with DFS mode.

Table 7. MPC7447A HID1/DFS Settings

Feature	MPC7447A
DFS divide by two enable	HID1[DFS]
PLL configuration, PLL_CFG[0-4] (Read only)	HID1[PC0-PC4]

4.3 Cache/Memory Subsystem Configuration

The MPC7447A implements two registers named Memory Subsystem and Status Control Registers, MSSSR and MSSCR that do not exist in the IBM 750GX. Some of the functions in these extra registers are held in other IBM 750GX register. Figure 8 summarizes this relationship.

Table 8. IBM 750GX Mapping to MPC7447A MSSSR, MSSCR Registers

Function	IBM 750GX	MPC7447A
Address bus parity error	SRR1[AP]	MSSSR[APE]
Data bus parity error	SRR1[DP]	MSSSR[DPE]
Bus transfer error acknowledge	SRR1[TEA]	MSSSR[TEA]

In addition to this, MSSCR stores some more configuration data. This configuration relates to features not available in the IBM 750GX including L3 cache parameters for MPC745x devices and also defines the

number of outstanding bus transactions, MSSCR[DTQ], and intervention for MPX mode, MSSCR[EIDIS].

4.4 Differences in L1 and L2 Cache Configuration

Due to the differences in each programming model the L1 and L2 cache configuration and status bits are located in different registers for the MPC7447A from the IBM 750GX.

There is no HID2 register in the MPC7447A so the following table shows which register bits give the same functionality in the MPC7447A. HID2 is used for L1 and L2 cache parity error settings and status in the IBM 750GX. As you can see from [Table 9](#), these functions are spread across SSR1 which the IBM 750GX has but the bits in question are reserved, as well MSSSR and Instruction Cache and Interrupt Control Register, ICTRL, which the IBM 750GX does not have.

Table 9. IBM 750GX HID2 to MPC7447A Mapping

Function	IBM 750GX	MPC7447A
Disable store under miss processing. (Permitted outstanding stores changes from two to one)	HID2[STMUMD]	N/A ¹
Force instruction-cache bad parity	HID2[FICBP]	N/A ¹
Force instruction-tag bad parity	HID2[FITBP]	N/A ¹
Force data-cache bad parity	HID2[FDCCBP]	N/A ¹
Force data-tag bad parity	HID2[FDTBP]	N/A ¹
Force L2-tag bad parity	HID2[FL2TBP]	N/A ¹
L1 instruction-cache/instruction-tag parity error status/mask	HID2[ICPS]	SRR1[1]
L1 data-cache/data-tag parity error status/mask	HID2[DCPS]	SRR1[2]
L2 tag parity error status/mask	HID2[L2PS]	MSSSR[L2TAG] – Tag error (MSSSR[L2DAT]) – Data error
Enable L1 instruction-cache/instruction-tag parity checking	HID2[ICPE]	ICTRL[EICE] (ICTRL[EICP]) ²
Enable L1 data-cache/data-tag parity checking	HID2[DCPE]	ICTRL[EDEC]
Enable L2 tag parity checking	HID2[L2PE]	L2CR[L2PE] ³

¹. Not available in MPC7447A implementation.

². When the EICP bit is set, the parity of any instructions fetched from the L1 instruction cache are checked. Any errors found are reported as instruction cache parity errors in SRR1. If EICE is also set, these instruction cache errors cause a machine check or checkstop. If either EICP or EICE is cleared, instruction cache parity is ignored.

Note that when parity checking and error reporting are both enabled, errors are reported even on speculative fetches that are never actually executed. Correct instruction cache parity is always loaded into the L1 instruction cache regardless of whether checking is enabled or not.

³. Enables tag AND data parity.

Table 10 shows the mapping of the IBM 750GX's L2CR to the MPC7447A.

Table 10. IBM 750GX L2CR to MPC7447A Mapping

Function	IBM 750GX	MPC7447A
L2 cache enable	L2CR[L2E]	L2CR[L2E]
L2 double bit checkstop enable	L2CR[CE]	N/A ¹
L2 data only	L2CR[DO]	L2CR[DO]
L2 global invalidate	L2CR[GI]	L2CR[L2I]
L2 write through	L2CR[WT]	N/A ¹
L2 test support	L2CR[TS]	N/A ¹
L2 cache way locking	L2CR[LOCK] ²	L2CR[D0] and L2CR[IO]
Snoop hit in locked line checkstop enable	L2CR[SHEE]	N/A ¹
Snoop hit in locked line error	L2CR[SHEER]	N/A ¹
L2 instruction only	L2CR[IO]	L2CR[IO]
L2 global invalidate progress bit	L2CR[IP]	N/A ¹

1. Not available in MPC7447A implementation.

2. IBM 750GX still has L2CR[LOCKLO] and L2CR[LOCKHI] for backwards compatibility when it could only lock the bottom two ways or top two ways.

4.4.1 MPC7450 Extended Capabilities

The MPC7447A also offers the choice of the first or second replacement algorithm, L2CR[L2REP], and an L2 hardware flush feature, L2CR[L2HWF], which the 750GX does not.

An L2 feature supported on the MPC7447A family but not the 750GX is L2 prefetching. This can offer an improvement in performance by loading the second block of a cache line after a cache miss on the line. The idea being that the second block maybe required in the near future even if it is not required right now. The MPC7447A family takes advantage of this concept, known as spatial locality, using up to 3 hardware prefetch engines.

The L2 prefetching feature can be enabled by setting the L2 prefetch enable bit in memory configuration subsystem register, MSSCR0[PFE], providing the L2 cache is enabled and not configured as data or instruction only.

4.4.2 L1 and L2 Cache Locking

The MPC7447A contains a Load/Store Control Register which configures L1 data cache locking by way. The LDSTCR is not present in the IBM 750GX because it is not supported. It can be configured on the MPC7447A using the 8 bits in LDSTCR[DCWL], indicating which way(s) to lock.

Similarly ICTRL is also not present on the IBM 750GX since its ICTRL[ICWL] is used to lock the L1 instruction cache by way which is not supported in the IBM 750GX.

The IBM 750GX has the ability to lock L2 cache by way using L2CR[LOCK] bits and L2CR[DO] or L2CR[IO] to set the L2 as data or instruction. The MPC7447A does not support locking by way but the whole cache can be locked by setting both L2CR[DO] AND L2CR[IO].

4.5 Memory Management Registers

Since the IBM 750GX does not have the ability to resolve page table entries in software it has no need for PTEHI, PTELO and TLBMISS registers known as SPR 981, 982 and 980 respectively.

The TLBMISS register is automatically loaded when software searching is enabled (HID0[STEN] = 1) and a TLB miss exception occurs. Its contents are used by the TLB miss exception handlers (the software table search routines) to start the search process.

The PTEHI and PTELO registers are used by the **tlbld** and **tlbli** instructions to create a TLB entry. When software table searching is enabled, and a TLB miss exception occurs, the bits of the page table entry (PTE) for this access are located by software and saved in the PTE registers.

A full explanation of software page table searching can be found in the MPC7450 RISC Microprocessor Family User's Manual.

4.6 Performance Monitor

Although it is optional, both implementations support the Performance Monitor features. This gives the user software the ability to monitor and count specific events including processor clocks, L1 and L2 cache misses, types of instructions dispatched and branch prediction statistics, among others. The count of these events can be used to trigger an exception.

In the MPC7447A the Performance Monitor has three key objectives:

- To increase system performance with efficient software, especially in a multiprocessing system—Memory hierarchy behavior can be monitored and studied in order to develop algorithms that schedule tasks (and perhaps partition them) and that structure and distribute data optimally.
- To characterize processors—Some environments may not be easily characterized by a benchmark or trace.
- To help system developers bring up and debug their systems.

The MPC7447A contains two additional Performance Counters, PMC5 and PMC6, a Breakpoint Address Mask Register, BAMR, and an extra Monitor Control Register, MMCR2. This section looks at any differences in the common registers and the purpose of the extra MPC7447A registers. The MPC7447A offers the extra registers to monitor more events including AltiVec based events which the IBM 750GX obviously does not have to support. Full listings of PMC events available in each implementation can be found in IBM PowerPC 750GX RISC Microprocessor User Manual and MPC7450 RISC Microprocessor Family's User Manual.

Each implementation provides read registers in user mode for PMC and MMCR registers with the prefix U, for example UPMC1 or UMMCR1.

4.6.1 Monitor Mode Control Registers

The mapping between the MMCR0 and MMCR1 is very similar but not identical. [Table 11](#) and [Table 12](#) shows this mapping for the IBM 750GX MMCR0 and MMCR1 respectively.

Table 11. IBM 750GX MMCR0 to MPC7447A

Function	IBM 750GX	MPC7447A
Disable counting unconditionally	MMCR0[DIS]	MMCR0[FC]
Disable counting while in supervisor mode	MMCR0[DP]	MMCR0[FCS]
Disable counting while in user mode	MMCR0[DU]	MMCR0[FCP]
Disable counting while MSR[PM] is set	MMCR0[DMS]	MMCR0[FCM1] ¹
Disable counting while MSR[PM] is zero	MMCR0[DMR]	MMCR0[FCM1] ¹
Enable performance monitor interrupt signaling	MMCR0[ENINT]	MMCR0[PMXE]
Disable counting of PMC _n when a performance monitor interrupt is signalled	MMCR0[DISCOUNT]	MMCR0[FCECE] ²
64 bit time base transition selector	MMCR0[RTCSELECT]	MMCR0[TBSEL]
Enable interrupt when RTCSELECT defined bit transitions off/on	MMCR0[INTONBITTRANS]	MMCR0[TBEE]
Threshold value, 0-63, which can be varied to get to characterize the events occurring above the threshold	MMCR0[THRESHOLD]	MMCR0[THRESHOLD]
Enable interrupt due to do PMC1 overflow	MMCR0[PMC1INTCONTROL]	MMCR0[PMC1CE]
Enable interrupts due to PMC _n overflow	MMCR0[PMCINTCONTROL]	MMCR0[PMC _n CE] ³
Trigger counting of PMC2-4 after PMC1 overflows or after a interrupt is signalled	MMCR0[PMCTRIGGER]	MMCR0[TRIGGER] ⁴
PMC1 event selector, 128 events	MMCR0[PMC1SELECT]	MMCR0[PMC1SEL]
PMC2 event selector, 64 events	MMCR0[PMC2SELECT]	MMCR0[PMC2SEL]

1. MSR[PM] on the IBM 750GX corresponds to MSR[PMM] on the MPC7447A.
2. For all PMCs, not just PMC_n.
3. Enable overflow interrupts on PMC1-4 for IBM 750GX and PMC1-6 for MPC7447A.
4. Trigger counting of PMC2-6 for MPC7447A.

Table 12. IBM 750GX MMCR1 to MPC7447A

Function	IBM 750GX	MPC7447A
PMC3 event selector, 32 events	MMCR0[PMC3SELECT]	MMCR0[PMC3SEL]
PMC4 event selector, 32 events	MMCR0[PMC4SELECT]	MMCR0[PMC4SEL]
PMC5 event selector, 32 events	N/A ¹	MMCR0[PMC5SEL]
PMC6 event selector, 64 events	N/A ¹	MMCR0[PMC6SEL]

¹ PMC5 and PMC6 not present in IBM 750GX.

As mentioned previously the MPC7447A also has a MMCR2 register with a one bit field, MMCR2[THRESHMULT]. This can be used to extend the range of the MMCR0[THRESHOLD] field by multiplying by 2 if set at 0 or by 32 if set at 1.

The MPC7447A also has a breakpoint address mask register (BAMR) that is used as a mask for debug purposes to compare to IABR[0:29] when PMC1 is set to monitor event 42. This event monitors for IABR hits specifically by checking they match BAMR. For example:

Match = ((IABR[0–29] & BAMR[0–29]) ==
(completion_address[0–29] & BAMR[0–29]))

5 Hardware Considerations

5.1 Pin-out Comparison

Since there is no footprint/pin-out compatibility the easiest way to compare the IBM 750GX and MPC7447A pins is to look at the different pins on the IBM 750GX that do not exist on the MPC7447A and then to look at the pins present on the MPC7447A but not on the IBM 750GX.

5.1.1 IBM 750GX Uncommon Pins

Table 13 shows the signal name, pin number and a description of the signal.

Table 13. IBM 750GX additional signals

Signal Name	Pin Number	Active	I/O	Description
A1Vdd	Y15			PLL0 supply voltage
A2Vdd	Y16			PLL1 supply voltage
$\overline{\text{ABB}}$	Y6	Low	I/O	Address bus busy
$\overline{\text{AGND}}$	Y14			Ground for PLL
$\overline{\text{DBB}}$	U7	Low	I/O	Data bus busy
$\overline{\text{DBDIS}}$	A10	Low	I	Data bus disable
$\overline{\text{DBWO}}$	A6	Low	I	Data bus write only

Table 13. IBM 750GX additional signals

Signal Name	Pin Number	Active	I/O	Description
$\overline{\text{DRTRY}}$	W3	Low	I	Data retry
$\overline{\text{GBL}}$	W1	Low	I/O	Global signal is required for IBM 750GX snooping
PLL_RNG	W15, U14	High	I	Specifies PLL range ¹
$\overline{\text{RSRV}}$	Y4	Low	O	Internal reservation coherency bit
$\overline{\text{TLBISYNC}}$	W11	Low	I	TLB invalidate synchronize

1. As in *Table 7* – PLL range configuration

5.1.2 MPC7447A Uncommon Pins

Table 14 shows the signal name, pin number and a description of the signal.

Table 14. IBM 750GX Additional Signals

Signal Name	Pin Number	Active	I/O	Description
AVdd	A8			PLL supply voltage
$\overline{\text{BMODE0}}$	G9	Low	I	Bus mode select 0
$\overline{\text{BMODE1}}$	F8	Low	I	Bus mode select 1
$\overline{\text{DRDY}}$	R3	Low	O	Data ready output signal to system arbiter
DTI[0:3]	G1, K1, P1, N1	High	I	Data transfer index (for outstanding bus transactions)
EXT_QUAL	A11	High	I	Extension qualifier
$\overline{\text{GBL}}$	E2	Low	I/O	Global signal to shared memory for snooping/coherency purposes
GND_SENSE	G12, N13			Internally connected to GND allowing an external device to know core ground level.
$\overline{\text{HIT}}$	B2	Low	O	MPX support for cache to cache transfers and local bus slaves.
Ovdd	E18, G18			Supply voltage connection for system interface
$\overline{\text{PMON_IN}}$	D9	Low	I	Transitions counted by PMC1, event 7
$\overline{\text{PMON_OUT}}$	A9	Low	O	Asserted when any performance monitor threshold or condition occurs regardless of whether exceptions are enabled or not
$\overline{\text{SHD}}[0:1]$	E4, H5	Low	I/O	Assertion indicates processor contains data from the snooped address. Second SHD signal required for MPX bus mode.
TEMP_ANODE	N18			Anode from internal temperature diode
TEMP_CATHODE	N19			Cathode from internal temperature diode

Table 14. IBM 750GX Additional Signals

Signal Name	Pin Number	Active	I/O	Description
TEST[0:3]	A12, B6, B10, E10		I	For internal factory test. Should be pulled up to OVdd for normal operation.
TEST[4]	D10		I	For internal factory test. Should be pulled down to GND.
VDD_SENSE	G13, N12			Internally connected to OVdd allowing an external device to know I/O voltage level. (Were OVdd in earlier MPC74xx implementations)

¹. As in *Table 5* – PLL range configuration

5.2 60x Signal Differences

One of the changes in terms of hardware between the IBM 750GX and MPC7447A is that the MPC7447A does not support 3.3V I/O. It only supports 1.8V and 2.5V as shown in [Table 15](#).

Table 15. Supported I/O Voltages

Voltage Level	IBM 750GX	MPC7447A
1.8V	BVSEL=0, L1TSTCLK=1	BVSEL=0
2.5V	BVSEL=1, L1TSTCLK=1	BVSEL=1
3.3V	BVSEL=1, L1TSTCLK=0	N/A

[Table 16](#) shows some of the differences in 60x signals between the IBM 750GX and MPC7447A. The IBM 750GX contains some optional 60x signals that are not implemented in the MPC7447A all other 60x signals are the same.

Table 16. 60x Signal Differences

Signal Description	IBM 750GX	MPC7447A
60x bus mode select	Default	$\overline{\text{BMODE0}}=\text{VDD}$ $\overline{\text{BMODE1}}=\text{VDD}$
Address bus	A[0:31]	A[0:35] ¹
Address parity	AP[0:3]	AP[1:4] ²
Address parity error	$\overline{\text{APE}}$	N/A
Address bus busy	$\overline{\text{ABB}}$ (input/output)	N/A
Transaction burst	$\overline{\text{TBST}}$ (input/output)	$\overline{\text{TBST}}$ (output)
Cache inhibited	$\overline{\text{CI}}$ (output)	$\overline{\text{CI}}$ (output)
Write through	$\overline{\text{WT}}$ (output)	$\overline{\text{WT}}$ (output)
Data bus busy	$\overline{\text{DBB}}$ (input/output)	N/A
Data bus write only	$\overline{\text{DBWO}}$	N/A
Data bus disable	$\overline{\text{DBDIS}}$	N/A

Table 16. 60x Signal Differences

Signal Description	IBM 750GX	MPC7447A
Data parity error	$\overline{\text{DPE}}$	N/A
Data retry	$\overline{\text{DRTRY}}$	N/A
Reservation	$\overline{\text{RSRV}}$	N/A
TLB invalidate synchronize	$\overline{\text{TLBISYNC}}$	N/A

1. Use A[4-35] for 32 bit addressing, with A[0-3] pulled down if not in use.
2. In 32 bit mode AP[0] should be pulled up.
 In 36 bit mode use AP[0:4] as follows:
 - AP[0] contains odd parity for A[0:3]
 - AP[1] contains odd parity for A[4:11].
 - AP[2] contains odd parity for A[12:19].
 - AP[3] contains odd parity for A[20:27].
 - AP[4] contains odd parity for A[28:35].

In the MPC7447A $\overline{\text{BMODE1}}$ is sampled after $\overline{\text{HRESET}}$ is negated to the set the processor ID in $\text{MSSCR0}[\text{ID}]$. The value of the processor ID is important in a multiprocessor system where one would want to define one processor with the value 0 by negating $\overline{\text{BMODE1}}$ and make that processor responsible for booting and configuring other processors and system logic. Other processors would have $\overline{\text{BMODE1}}$ tied high to differentiate. In this case the processor 0 could also configure the other processors Processor ID Register, PIR, with unique values within the system.

Another important point to make is the fact the MPC7447A supports up to 16 pipelined transactions configured by $\text{MSSCR}[\text{DTQ}]$. Since it does not support out of order transactions, hence no $\overline{\text{DBWO}}$, the Data Transaction Index, $\text{DTI}[0:3]$, should be pulled low.

6 Revision History

Table 17 provides a revision history for this application note. Note that this revision history table reflects the changes to this application note template, but can also be used for the application note revision history.

Table 17. Document Revision History

Revision Number	Date	Substantive Change(s)
2	06/22/2005	Minor editing
1	10/26/2004	Initial release

THIS PAGE INTENTIONALLY LEFT BLANK

THIS PAGE INTENTIONALLY LEFT BLANK

THIS PAGE INTENTIONALLY LEFT BLANK

How to Reach Us:

Home Page:

www.freescale.com

email:

support@freescale.com

USA/Europe or Locations Not Listed:

Freescale Semiconductor
Technical Information Center, CH370
1300 N. Alma School Road
Chandler, Arizona 85224
(800) 521-6274
480-768-2130
support@freescale.com

Europe, Middle East, and Africa:

Freescale Halbleiter Deutschland GmbH
Technical Information Center
Schatzbogen 7
81829 Muenchen, Germany
+44 1296 380 456 (English)
+46 8 52200080 (English)
+49 89 92103 559 (German)
+33 1 69 35 48 48 (French)
support@freescale.com

Japan:

Freescale Semiconductor Japan Ltd.
Headquarters
ARCO Tower 15F
1-8-1, Shimo-Meguro, Meguro-ku
Tokyo 153-0064, Japan
0120 191014
+81 2666 8080
support.japan@freescale.com

Asia/Pacific:

Freescale Semiconductor Hong Kong Ltd.
Technical Information Center
2 Dai King Street
Tai Po Industrial Estate,
Tai Po, N.T., Hong Kong
+800 2666 8080
support.asia@freescale.com

For Literature Requests Only:

Freescale Semiconductor
Literature Distribution Center
P.O. Box 5405
Denver, Colorado 80217
(800) 441-2447
303-675-2140
Fax: 303-675-2150
LDCForFreescaleSemiconductor
@hibbertgroup.com

Information in this document is provided solely to enable system and software implementers to use Freescale Semiconductor products. There are no express or implied copyright licenses granted hereunder to design or fabricate any integrated circuits or integrated circuits based on the information in this document.

Freescale Semiconductor reserves the right to make changes without further notice to any products herein. Freescale Semiconductor makes no warranty, representation or guarantee regarding the suitability of its products for any particular purpose, nor does Freescale Semiconductor assume any liability arising out of the application or use of any product or circuit, and specifically disclaims any and all liability, including without limitation consequential or incidental damages. "Typical" parameters which may be provided in Freescale Semiconductor data sheets and/or specifications can and do vary in different applications and actual performance may vary over time. All operating parameters, including "Typicals" must be validated for each customer application by customer's technical experts. Freescale Semiconductor does not convey any license under its patent rights nor the rights of others. Freescale Semiconductor products are not designed, intended, or authorized for use as components in systems intended for surgical implant into the body, or other applications intended to support or sustain life, or for any other application in which the failure of the Freescale Semiconductor product could create a situation where personal injury or death may occur. Should Buyer purchase or use Freescale Semiconductor products for any such unintended or unauthorized application, Buyer shall indemnify and hold Freescale Semiconductor and its officers, employees, subsidiaries, affiliates, and distributors harmless against all claims, costs, damages, and expenses, and reasonable attorney fees arising out of, directly or indirectly, any claim of personal injury or death associated with such unintended or unauthorized use, even if such claim alleges that Freescale Semiconductor was negligent regarding the design or manufacture of the part.

Freescale™ and the Freescale logo are trademarks of Freescale Semiconductor, Inc. The described product is a PowerPC microprocessor. The PowerPC name is a trademark of IBM Corp. and used under license. All other product or service names are the property of their respective owners.

© Freescale Semiconductor, Inc., 2004, 2005.

Document Number: AN2797
Rev. 2
06/2005