

AN11660

NXH5104 V_{AUX} - Auxiliary voltage supply

Rev. 1 — 28 September 2016

Application note

Document information

Info	Content
Keywords	VAUX, Voltage supply, Pump charge, configurable
Abstract	The auxiliary supply (VAUX) is a configurable DC-to-DC supply. It is generated from the primary supply voltage (VDD) for supplying an external auxiliary component in the NXH5104, for example, an LED.



Revision history

Rev	Date	Description
1.0	20160928	Initial version

Contact information

For more information, please visit: <http://www.nxp.com>

For sales office addresses, please send an email to: salesaddresses@nxp.com

1. Introduction

This application note describes the usage of the NXP NXH5104 serial Electrically Erasable and Programmable Read-Only Memory (EEPROM) auxiliary supply DC-to-DC converter. This converter generates an output voltage on the VAUX bump starting from the input voltage supplied on the V_{DD} bump.

This auxiliary supply is independent from the non-volatile storage. It can be used to supply other components in the application, for example an LED.

2. Overview

The NXP NXH5104 is a 4 Mbit serial EEPROM. The device has been developed for low-power low-voltage applications and contains a Serial Peripheral Interface (SPI) compatible interface. As can be seen in [Figure 1](#), a V_{AUX} voltage can be generated from the V_{DD} input.

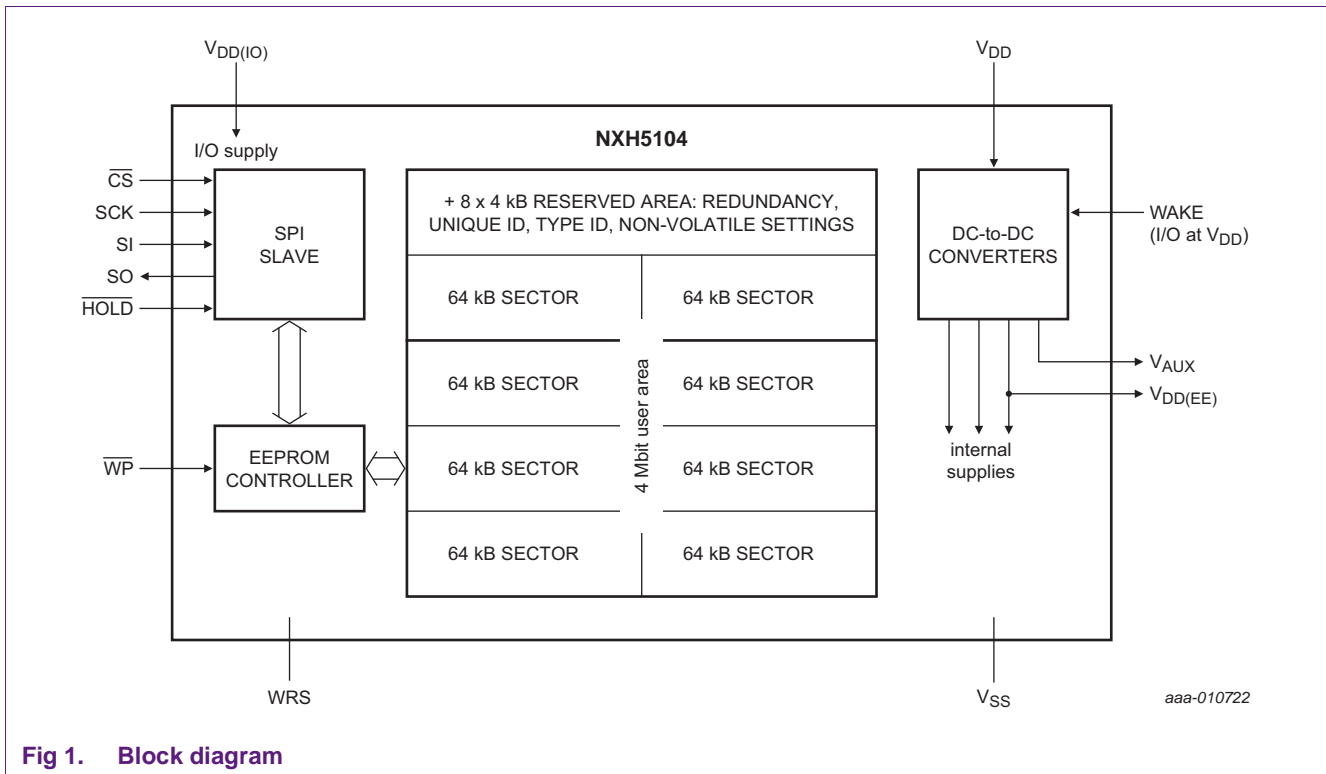


Fig 1. Block diagram

A more detailed view of the DC-to-DC generation circuit is shown in [Figure 2](#).

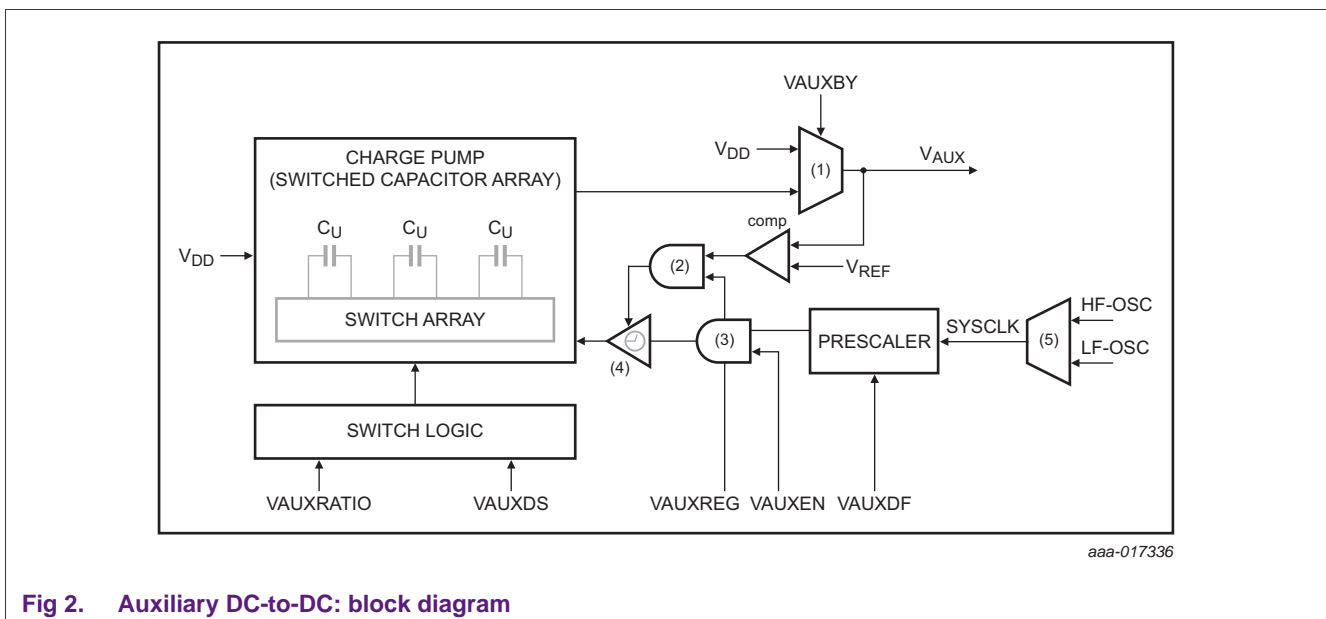


Fig 2. Auxiliary DC-to-DC: block diagram

The input parameters, as seen in [Figure 2](#), directly relate to the register fields of the VAUX register. See the SPI auxiliary supply configuration table in the NXH5104 *data sheet* for more details. See also [Table 2](#).

3. Decoupling

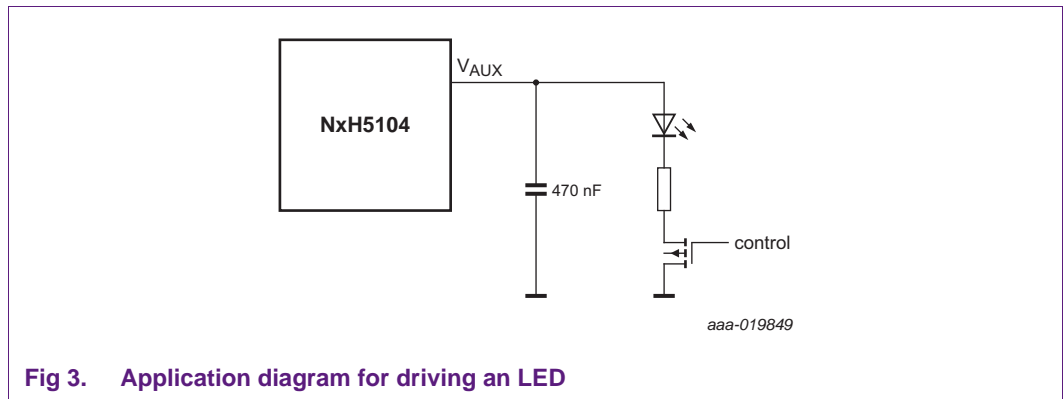
To support the voltage conversion process, the DC-to-DC converter must dump its charge in an external capacitor. The type and value of this external capacitor is greatly dependent on the use case; maximum allowed voltage ripple and load. The design and validation of the auxiliary supply has been done for a capacitor of 470 nF.

4. Example use cases

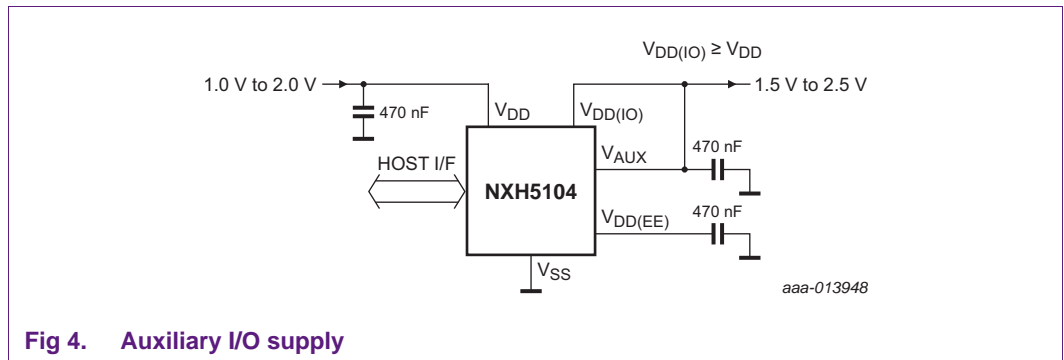
The following use cases demonstrate the usage of the auxiliary supply DC-to-DC converter:

- Generating an LED supply
- Generating a supply for feeding $V_{DD(IO)}$

4.1 Driving an LED



4.2 Auxiliary supply feeding $V_{DD(IO)}$



5. Control

Enabling/disabling and configuring the auxiliary supply generation can be performed through the SPI interface using the following three commands (for more information, see the *NXH5104 data sheet*):

- VAUXVW: volatile write of the auxiliary supply configuration register
- VAUXPW: persistent write of the auxiliary supply configuration register
- VAUXR: prepares a read of the auxiliary supply configuration register

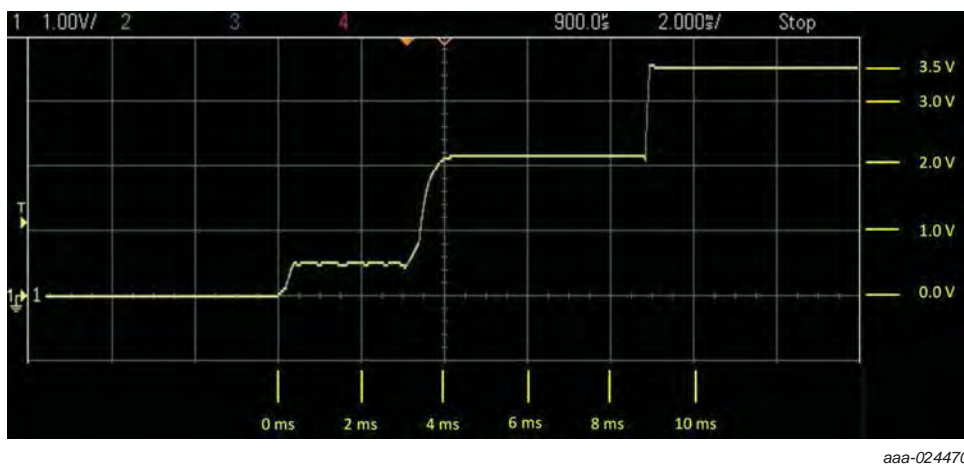
A volatile write configuration will be lost after a V_{DD} supply power cycle and after a return to Power-down mode. A persistent write is permanently stored in the device and automatically reloaded after a V_{DD} supply power cycle and after a return to Power-down mode.

Note: a persistent write of the auxiliary supply configuration register requires first a Write Enable (WREN) command, otherwise the $VAUXPW$ is ignored.

6. Starting up/shutting down

Enabling and disabling the auxiliary supply DC-to-DC converter does not occur in one go. To be able to generate a safe start-up and shut-down, the NXP NXH5104 steps through different configurations before applying the final (user requested) configuration.

Note: the user should refrain from drawing currents during the start-up, otherwise correct operation cannot be guaranteed. Depending on the target output voltage, the start-up time takes typically 5 ms ($V_{AUX} < 2$ V) or 10 ms ($V_{AUX} > 2$ V). The following oscilloscope plot shows the start-up for a target V_{AUX} setting of 3.5 V.



aaa-024470

Fig 5. V_{AUX} start-up timing

7. Modes

The auxiliary supply generator has three main modes:

- OFF: No V_{AUX} voltage is present at the V_{AUX} output
- NORMAL: The DC-to-DC converter is active and up, or down, converts the V_{DD} into the V_{AUX} output
- BYPASS: The auxiliary supply unit is bypassed. V_{DD} is connected to the V_{AUX} output

Important: Enabling the DC-to-DC converter and the BYPASS mode at the same time creates a short-circuit. The $VAUXEN$ and $VAUXBY$ fields in the auxiliary supply configuration register (see the NXH5104 *data sheet*) must not be set at the same time.

8. Operation versus power modes

The auxiliary supply generation behaves differently depending on the operation mode of the NXP NXH5104 device;

- OFF: when there is no V_{DD} supplied, no V_{AUX} voltage is generated
- POWER DOWN: when NXH5104 is in this mode, no V_{AUX} voltage is generated, nor is the BYPASS enabled to connect V_{DD} to V_{AUX}
- SLEEP: when NXH5104 is in this mode, the auxiliary supply is in ACTIVE mode, however the V_{AUX} voltage depends on:
 - When the auxiliary supply is configured in NORMAL mode, when switching to SLEEP, the V_{AUX} is switched off
 - When the auxiliary supply is configured in BYPASS mode, when switching to SLEEP, the V_{AUX} is kept in BYPASS mode
- STANDBY: when NXH5104 is in this mode, the auxiliary supply is in ACTIVE mode. The configuration can either be NORMAL or BYPASS mode, depending on the programmed configuration

The following flowchart shows the V_{AUX} configuration regarding the power modes of NXH5104.

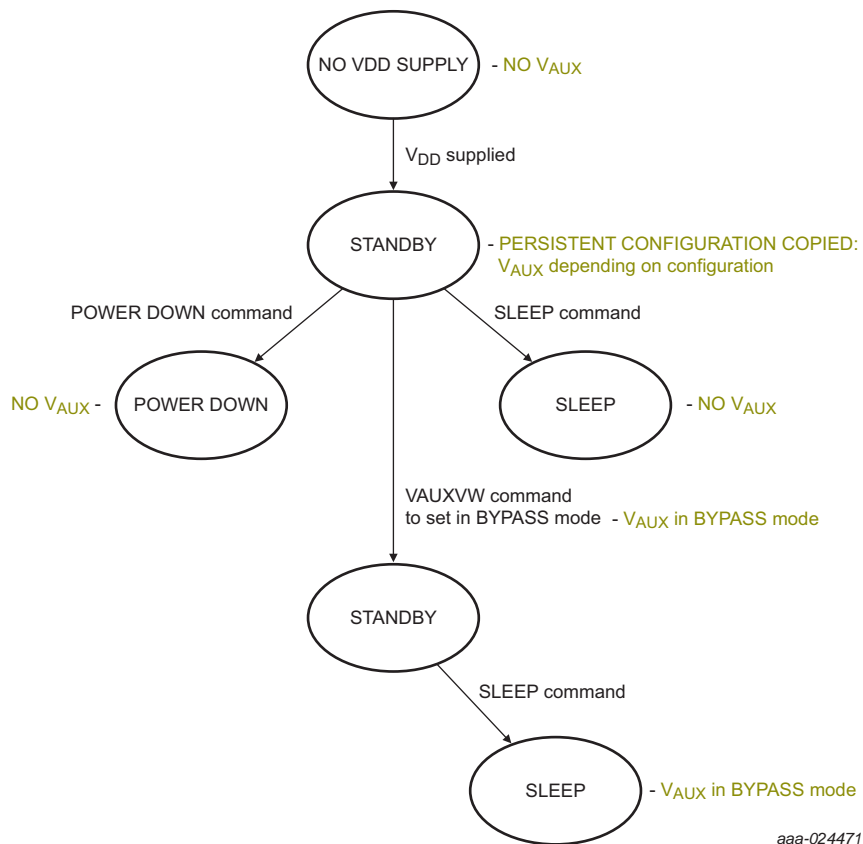


Fig 6. Power mode flowchart

9. Settings

The following table gives an overview of the auxiliary supply generation unit settings:

Table 1. Auxiliary supply generation unit settings

Field	Setting
VAUXEN	enabling/disabling the auxiliary supply generation
VAUXBY	bypass the auxiliary supply generation
VAUXRATIO	conversion ratio (2× or 3×)
VAUXDS	drive strength
VAUXDF	division factor
VAUXREG	loop mode
VAUXV	target output voltage

Table 2. SPI auxiliary supply configuration

Bits	Access	Field	Value	Description
31:17	-	-	-	(reserved)
16	R/W/P	VAUXEN	(0b)	auxiliary supply enable.
		VAUXEN_DIS	0b	disabled.
		VAUXEN_EN	1b	enabled.
15	R/W/P	VAUXBY	(0b)	auxiliary supply bypass mode.
		VAUXBY_DIS	0b	disabled.
		VAUXBY_EN	1b	enabled.
14	R/W/P	VAUXRATIO	(0b)	auxiliary supply ratio setting.
			0b	ratio 2
			1b	ratio 3
13	-	-	-	(reserved)
12:11	R/W/P	VAUXDS	(00b)	auxiliary supply drive strength.
			00b	1/4 of drive strength.
			01b	2/4 of drive strength.
			10b	3/4 of drive strength.
			11b	4/4 of drive strength.
10:8	R/W/P	VAUXDF	(000b)	auxiliary supply clock divider.
			000b	maximum clock speed
			001b	clock divided by 2
			010b	clock divided by 4
			011b	clock divided by 8
			100b	clock divided by 16
			101b	clock divided by 32
			110b	clock divided by 64
			111b	clock divided by 128
7	R/W/P	VAUXREG	(0b)	auxiliary supply enable voltage regulation
			0b	disabled (open loop).
			1b	enabled (closed loop).
6:0	R/W/P	VAUXV	(0b)	auxiliary supply comparator mode.
			00h	minimum (1.5 V)
			7Fh	maximum (3.3 V)

9.1 Drive strength

The output drive strength of the auxiliary supply generation can be set in the VAUXDS field. The power consumption can be optimized by setting the drive strength only 1 step higher than required. For example, when requiring 600 μ A, it is best to set the drive strength to 1.0 mA.

- VAUXDS = 0: minimum 0.5 mA
- VAUXDS = 1: minimum 1.0 mA
- VAUXDS = 2: minimum 1.5 mA
- VAUXDS = 3: minimum 2.0 mA

9.2 VAUXRATIO

The conversion ratio of the auxiliary supply generation can be set in the VAUXRATIO field:

- VAUXRATIO = 0: 2x ratio
- VAUXRATIO = 1: 3x ratio

The achievable unloaded VAUX output voltage depends on the selected conversion ratio and the VDD input supply level. The other way around, a certain VAUX output voltage with selected conversion ratio requires a minimum VDD input supply level.

The exact levels are difficult to define for every possible use case. As a rule of thumb:

$$V_{DD} \times \text{ratio} \times 0.85 > V_{AUX}$$

Some examples are shown in [Table 3](#).

Table 3. VAUX conversion ratio examples

Input	Output												
V _{DD} [V]	V _{AUX} [V]	Ratio	Drive strength	Clock division	Target	VAUXEN	VAUXBY	VAUXRATIO	VAUXDS	VAUXDF	VAUXREG	VAUXV	
0.9	1.2	3	2	1	0x0F	1	0	1	3	0	1	0x0F	
0.9	1.8	3	4	1	0x24	1	0	1	3	0	1	0x24	
1.2	1.8	2	4	1	0x24	1	0	0	3	0	1	0x24	
1.2	2.5	3	4	1	0x3B	1	0	1	3	0	1	0x3B	
1.8	3.3	2	4	1	0x58	1	0	0	3	0	1	0x58	

When the ratio is chosen too low for the target output voltage, the DC-to-DC goes into open loop mode. The target output voltage may still not be reached and a high current is drawn from V_{DD}.

When the ratio is chosen too high for the target output voltage, the overall efficiency is lower than with a correctly set ratio. Also, ripple on the output voltage is higher.

9.3 Output voltage

The output voltage in Closed-loop mode and when the current load does not exceed the configured performance of the auxiliary supply generation, is defined by setting the VAUXV field.

Each sample is trimmed in production for supplying a V_{AUX} of 2.500 V with accuracy [−0 mV / +30 mV] for setting (decimal) 62.

When incrementing VAUXV by 1, V_{AUX} increases by 28.510 mV with incremental accuracy [−1 mV / +1 mV]. When decrementing VAUXV with 1, V_{AUX} decreases with 28.510 mV with incremental accuracy [−1 mV / +1 mV].

A full table for VAUXV versus the generated V_{AUX} output voltage can be found in the appendix. The maximum allowed output voltage is V_{AUX} = 3.5 V.

Note: the minimum allowed VAUXV setting is 15. Configuring a lower value might generate a high V_{AUX} output voltage.

9.3.1 Load and minimum input supply

The following table shows the minimum input supply $V_{i(min)}$ to generate a stable VAUX output voltage, while sustaining a load I_{AUX} of up to 2 mA. depending on the set ratio (2× or 3×). The last column indicates the typical current I_{DD} being drawn from the input supply at $V_{i(min)}$ while sustaining a load of 2 mA at the target set V_{AUX} .

Table 4. Minimum input supply

VAUXV Setting	V_{AUX} [V]	I_{AUX} [mA]	Ratio	$V_{i(min)}$ [V]	typical I_{DD} [mA]
62	2.5	2.0	2×	1.45	6.4
	2.5	2.0	3×	1.30	9.5
78	3.0	2.0	2×	1.75	6.5
	3.0	2.0	3×	1.55	9.1
88	3.3	2.0	2×	1.85	6.5
	3.3	2.0	3×	1.65	9.9

9.4 Open loop mode

The auxiliary supply generation can be run in Closed loop mode and in Open loop mode. The input supply voltage on VDD and the ratio (2× or 3×) mainly define the output voltage in Open loop mode. Therefore, any change on V_{DD} impacts directly V_{AUX} . Use the Closed loop mode only where VAUXV defines the output voltage V_{AUX} .

10. Bypass mode

In the bypass mode, an internal switch between V_{DD} and V_{AUX} is closed. Therefore, enabling the DC-to-DC converter and the BYPASS mode at the same time creates a short-circuit. The VAUXEN and VAUXBY fields in the auxiliary supply configuration register (see the NXH5104 *data sheet*) may not be set at the same time.

Note: depending on the requested configuration, when switching the DC-to-DC converter to Bypass mode, be aware of a high voltage on the V_{AUX} capacitor being connected to the V_{DD} input. When $V_{AUX} > V_{DD}$, current flows from V_{AUX} to V_{DD} . For example, V_{DD} is 1.8 V and V_{AUX} is configured to output 3.3 V. When the auxiliary supply bypass switch is closed, the 470 nF capacitor at 3.3 V is connected to V_{DD} at 1.8 V causing a current to flow from V_{AUX} into V_{DD} .

11. Appendix - VAUXV

Table 5 shows the minimum, average and maximum V_{AUX} output voltage versus the setting of the VAUXV field of the auxiliary supply configuration register. The output is decoupled with 470 nF but without load.

Table 5. Output voltage

VAUXV setting	V _{AUX} (V)		
	Minimum	Average	Maximum
15	1.08	1.15	1.19
16	1.11	1.18	1.21
17	1.14	1.21	1.24
18	1.17	1.24	1.27
19	1.20	1.27	1.30
20	1.23	1.30	1.33
21	1.27	1.33	1.36
22	1.30	1.36	1.39
23	1.32	1.38	1.42
24	1.35	1.41	1.45
25	1.38	1.44	1.48
26	1.41	1.47	1.51
27	1.45	1.50	1.54
28	1.48	1.53	1.57
29	1.51	1.56	1.60
30	1.54	1.59	1.63
31	1.57	1.62	1.66
32	1.60	1.65	1.69
33	1.63	1.68	1.72
34	1.66	1.71	1.75
35	1.69	1.74	1.78
36	1.72	1.77	1.81
37	1.75	1.80	1.84
38	1.78	1.83	1.87
39	1.81	1.86	1.90
40	1.84	1.89	1.93
41	1.87	1.92	1.96
42	1.90	1.95	1.99
43	1.94	1.98	2.02
44	1.96	2.01	2.05
45	2.00	2.04	2.08
46	2.03	2.07	2.10
47	2.06	2.09	2.13
48	2.09	2.12	2.16
49	2.12	2.15	2.19

Table 5. Output voltage ...continued

VAUXV setting	V _{AUX} (V)		
	Minimum	Average	Maximum
50	2.15	2.18	2.22
51	2.18	2.21	2.26
52	2.21	2.24	2.29
53	2.24	2.27	2.32
54	2.27	2.30	2.34
55	2.30	2.33	2.37
56	2.33	2.36	2.40
57	2.36	2.39	2.43
58	2.39	2.42	2.47
59	2.42	2.45	2.50
60	2.45	2.48	2.53
61	2.48	2.51	2.56
62	2.51	2.53	2.58
63	2.54	2.56	2.61
64	2.56	2.59	2.64
65	2.59	2.62	2.67
66	2.62	2.65	2.71
67	2.65	2.68	2.73
68	2.68	2.71	2.76
69	2.70	2.74	2.79
70	2.73	2.77	2.82
71	2.76	2.80	2.85
72	2.79	2.83	2.88
73	2.81	2.85	2.91
74	2.84	2.88	2.94
75	2.87	2.92	2.97
76	2.90	2.95	3.00
77	2.93	2.97	3.03
78	2.96	3.00	3.06
79	2.98	3.03	3.09
80	3.01	3.06	3.12
81	3.04	3.09	3.15
82	3.07	3.12	3.18
83	3.10	3.15	3.21
84	3.13	3.18	3.24
85	3.15	3.21	3.27
86	3.18	3.24	3.30
87	3.21	3.27	3.33
88	3.24	3.30	3.36
89	3.26	3.33	3.39

Table 5. Output voltage ...continued

VAUXV setting	V _{AUX} (V)		
	Minimum	Average	Maximum
90	3.29	3.36	3.42
91	3.32	3.39	3.45
92	3.35	3.42	3.48
93	3.38	3.45	3.51
94	3.40	3.47	3.54
95	3.43	3.50	3.57
96	3.46	3.53	3.60
97	3.49	3.56	3.63
98	3.52	3.59	3.66

12. Abbreviations

Table 6. Abbreviations

Acronym	Description
EEPROM	Electrically Erasable and Programmable Read-Only Memory
SPI	Serial Peripheral Interface

13. Legal information

13.1 Definitions

Draft — The document is a draft version only. The content is still under internal review and subject to formal approval, which may result in modifications or additions. NXP Semiconductors does not give any representations or warranties as to the accuracy or completeness of information included herein and shall have no liability for the consequences of use of such information.

13.2 Disclaimers

Limited warranty and liability — Information in this document is believed to be accurate and reliable. However, NXP Semiconductors does not give any representations or warranties, expressed or implied, as to the accuracy or completeness of such information and shall have no liability for the consequences of use of such information. NXP Semiconductors takes no responsibility for the content in this document if provided by an information source outside of NXP Semiconductors.

In no event shall NXP Semiconductors be liable for any indirect, incidental, punitive, special or consequential damages (including - without limitation - lost profits, lost savings, business interruption, costs related to the removal or replacement of any products or rework charges) whether or not such damages are based on tort (including negligence), warranty, breach of contract or any other legal theory.

Notwithstanding any damages that customer might incur for any reason whatsoever, NXP Semiconductors' aggregate and cumulative liability towards customer for the products described herein shall be limited in accordance with the *Terms and conditions of commercial sale* of NXP Semiconductors.

Right to make changes — NXP Semiconductors reserves the right to make changes to information published in this document, including without limitation specifications and product descriptions, at any time and without notice. This document supersedes and replaces all information supplied prior to the publication hereof.

Suitability for use — NXP Semiconductors products are not designed, authorized or warranted to be suitable for use in life support, life-critical or safety-critical systems or equipment, nor in applications where failure or malfunction of an NXP Semiconductors product can reasonably be expected to result in personal injury, death or severe property or environmental damage. NXP Semiconductors and its suppliers accept no liability for inclusion and/or use of NXP Semiconductors products in such equipment or applications and therefore such inclusion and/or use is at the customer's own risk.

Applications — Applications that are described herein for any of these products are for illustrative purposes only. NXP Semiconductors makes no representation or warranty that such applications will be suitable for the specified use without further testing or modification.

Customers are responsible for the design and operation of their applications and products using NXP Semiconductors products, and NXP Semiconductors accepts no liability for any assistance with applications or customer product

design. It is customer's sole responsibility to determine whether the NXP Semiconductors product is suitable and fit for the customer's applications and products planned, as well as for the planned application and use of customer's third party customer(s). Customers should provide appropriate design and operating safeguards to minimize the risks associated with their applications and products.

NXP Semiconductors does not accept any liability related to any default, damage, costs or problem which is based on any weakness or default in the customer's applications or products, or the application or use by customer's third party customer(s). Customer is responsible for doing all necessary testing for the customer's applications and products using NXP Semiconductors products in order to avoid a default of the applications and the products or of the application or use by customer's third party customer(s). NXP does not accept any liability in this respect.

Export control — This document as well as the item(s) described herein may be subject to export control regulations. Export might require a prior authorization from competent authorities.

Evaluation products — This product is provided on an "as is" and "with all faults" basis for evaluation purposes only. NXP Semiconductors, its affiliates and their suppliers expressly disclaim all warranties, whether express, implied or statutory, including but not limited to the implied warranties of non-infringement, merchantability and fitness for a particular purpose. The entire risk as to the quality, or arising out of the use or performance, of this product remains with customer.

In no event shall NXP Semiconductors, its affiliates or their suppliers be liable to customer for any special, indirect, consequential, punitive or incidental damages (including without limitation damages for loss of business, business interruption, loss of use, loss of data or information, and the like) arising out of the use of or inability to use the product, whether or not based on tort (including negligence), strict liability, breach of contract, breach of warranty or any other theory, even if advised of the possibility of such damages.

Notwithstanding any damages that customer might incur for any reason whatsoever (including without limitation, all damages referenced above and all direct or general damages), the entire liability of NXP Semiconductors, its affiliates and their suppliers and customer's exclusive remedy for all of the foregoing shall be limited to actual damages incurred by customer based on reasonable reliance up to the greater of the amount actually paid by customer for the product or five dollars (US\$5.00). The foregoing limitations, exclusions and disclaimers shall apply to the maximum extent permitted by applicable law, even if any remedy fails of its essential purpose.

Translations — A non-English (translated) version of a document is for reference only. The English version shall prevail in case of any discrepancy between the translated and English versions.

13.3 Trademarks

Notice: All referenced brands, product names, service names and trademarks are the property of their respective owners.

14. Tables

Table 1. Auxiliary supply generation unit settings	9	Table 4. Minimum input supply	12
Table 2. SPI auxiliary supply configuration	10	Table 5. Output voltage	13
Table 3. VAUX conversion ratio examples	11	Table 6. Abbreviations	16

15. Figures

Fig 1. Block diagram	4
Fig 2. Auxiliary DC-to-DC: block diagram	4
Fig 3. Application diagram for driving an LED	6
Fig 4. Auxiliary I/O supply	6
Fig 5. V_{AUX} start-up timing	7
Fig 6. Power mode flowchart	8

16. Contents

1	Introduction	3
2	Overview	4
3	Decoupling	5
4	Example use cases	6
4.1	Driving an LED	6
4.2	Auxiliary supply feeding V _{DD(I/O)}	6
5	Control	6
6	Starting up/shutting down	7
7	Modes	7
8	Operation versus power modes	8
9	Settings	9
9.1	Drive strength	10
9.2	VAUXRATIO	11
9.3	Output voltage	11
9.3.1	Load and minimum input supply	12
9.4	Open loop mode	12
10	Bypass mode	12
11	Appendix - VAUXV	13
12	Abbreviations	16
13	Legal information	17
13.1	Definitions	17
13.2	Disclaimers	17
13.3	Trademarks	17
14	Tables	18
15	Figures	18
16	Contents	19

Please be aware that important notices concerning this document and the product(s) described herein, have been included in section 'Legal information'.

© NXP Semiconductors N.V. 2016.

All rights reserved.

For more information, please visit: <http://www.nxp.com>

For sales office addresses, please send an email to: salesaddresses@nxp.com

Date of release: 28 September 2016

Document identifier: AN11660