



Tire Pressure Monitoring Systems (TPMS)

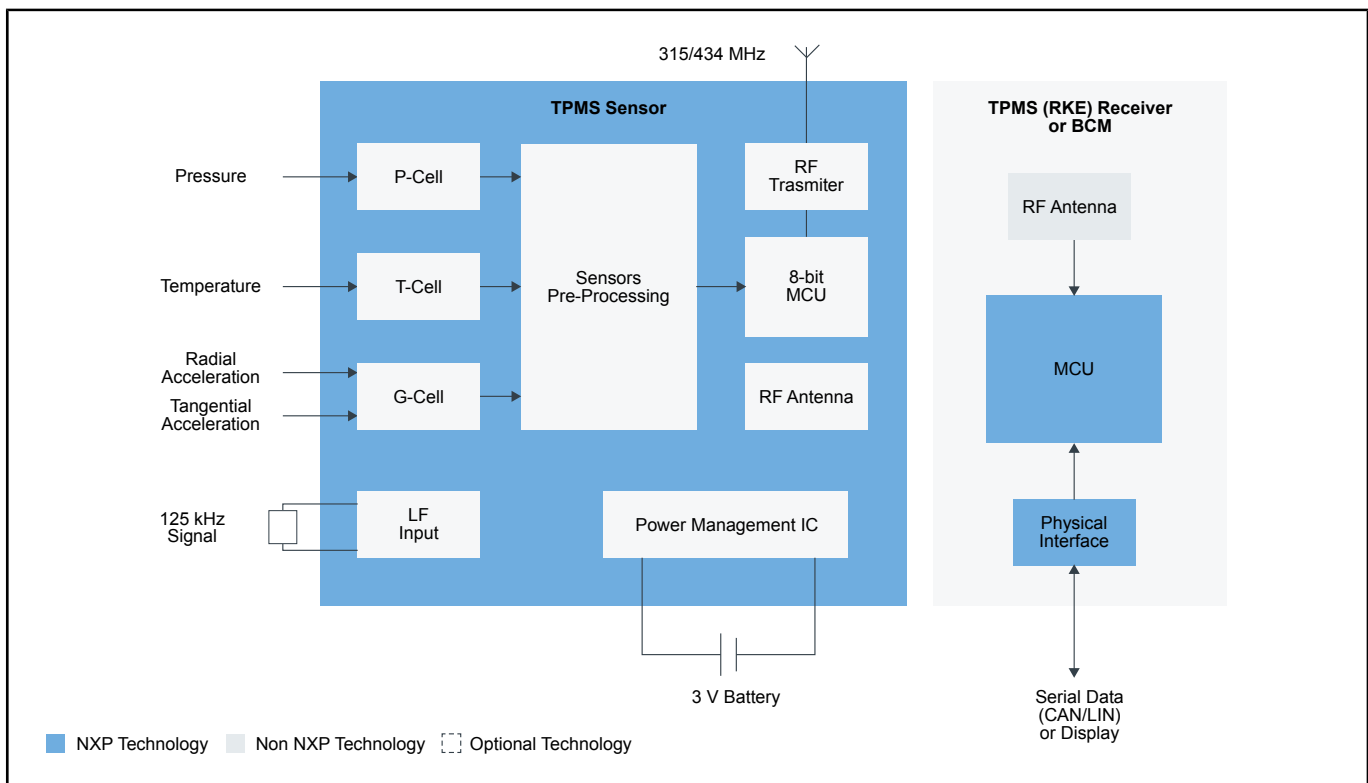
Last Updated: Nov 24, 2023

Tire pressure monitoring systems (TPMS) can improve vehicle safety and fuel economy leading to CO₂ emissions reduction. Together with reduced tire wear for consistent ride quality, these systems are encouraged by government regulations around the world.

NXP's pioneering system-in-package technology for TPMS provides an easy design-in solution to meet even the more sophisticated TPMS requirements.

Our tire pressure monitor sensor solution integrates a pressure sensor, microcontroller, RF transmitter and single or dual axis accelerometer into a single package. For the TPMS receiver or BCM, different NXP processors with automotive connectivity options as CAN and LIN protocols are available.

TPMS Block Diagram



Recommended Products for TPMS

TPMS Sensor	<ul style="list-style-type: none">• NTM88: NTM88 Highly Integrated Tire Pressure Sensor Family
MCU	<ul style="list-style-type: none">• KEA: Ultra-Reliable KEA Automotive Microcontrollers (MCUs) based on Arm[®] Cortex[®]-M0+ Core• S12XE: Ultra-Reliable S12XE High-Performance Automotive and Industrial Microcontrollers
Physical I/F	<ul style="list-style-type: none">• MC33897: Single-Wire Can Transceiver• TJA1044: High-Speed CAN Transceiver with Standby Mode - Mantis Family• TJA1462: CAN Signal Improvement Capability Transceiver with Standby Mode

View our complete solution for [Tire Pressure Monitoring Systems \(TPMS\)](#).

Note: The information on this document is subject to change without notice.

www.nxp.com

NXP and the NXP logo are trademarks of NXP B.V. All other product or service names are the property of their respective owners. The related technology may be protected by any or all of patents, copyrights, designs and trade secrets. All rights reserved. © 2024 NXP B.V.