



TEF82XX Customer Application Board + S32R294 Radar Application Development Board

TEF82-R294-KIT

Last Updated: Jan 18, 2024

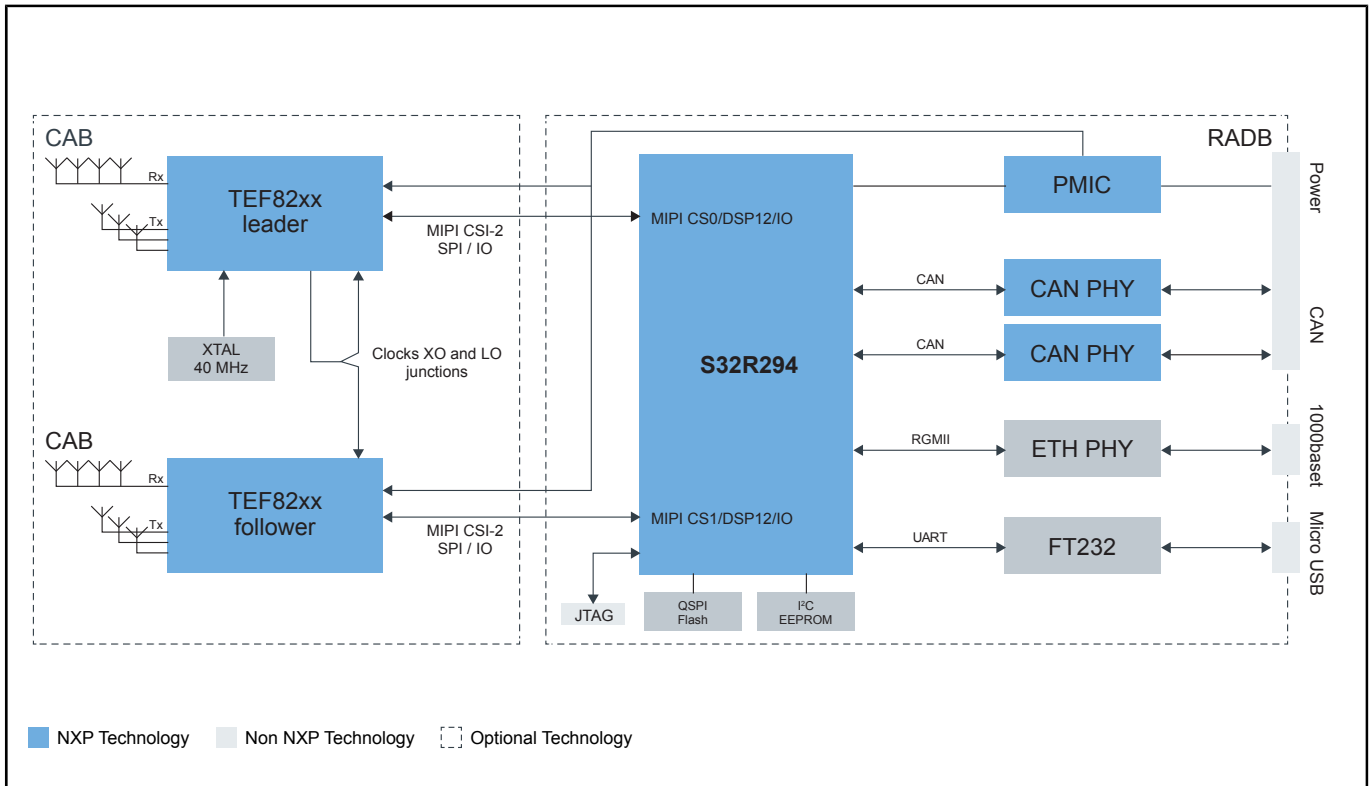
This kit is no longer recommended. Customers are strongly suggested to order our comprehensive high-performance radar SW development platform comprising S32R41 and TEF82xx available [here](#).

The TEF82-R294-KIT consists of the [S32R294 radar application development board \(RADB\)](#) and the [TEF82xx customer application board \(CAB\)](#). The S32R294 RADB is intended to provide a flexible development platform for the automotive radar product based on NXP radar microprocessor S32R294. The RADB supports up to two TEF82XX radar transceivers over CSI-2.

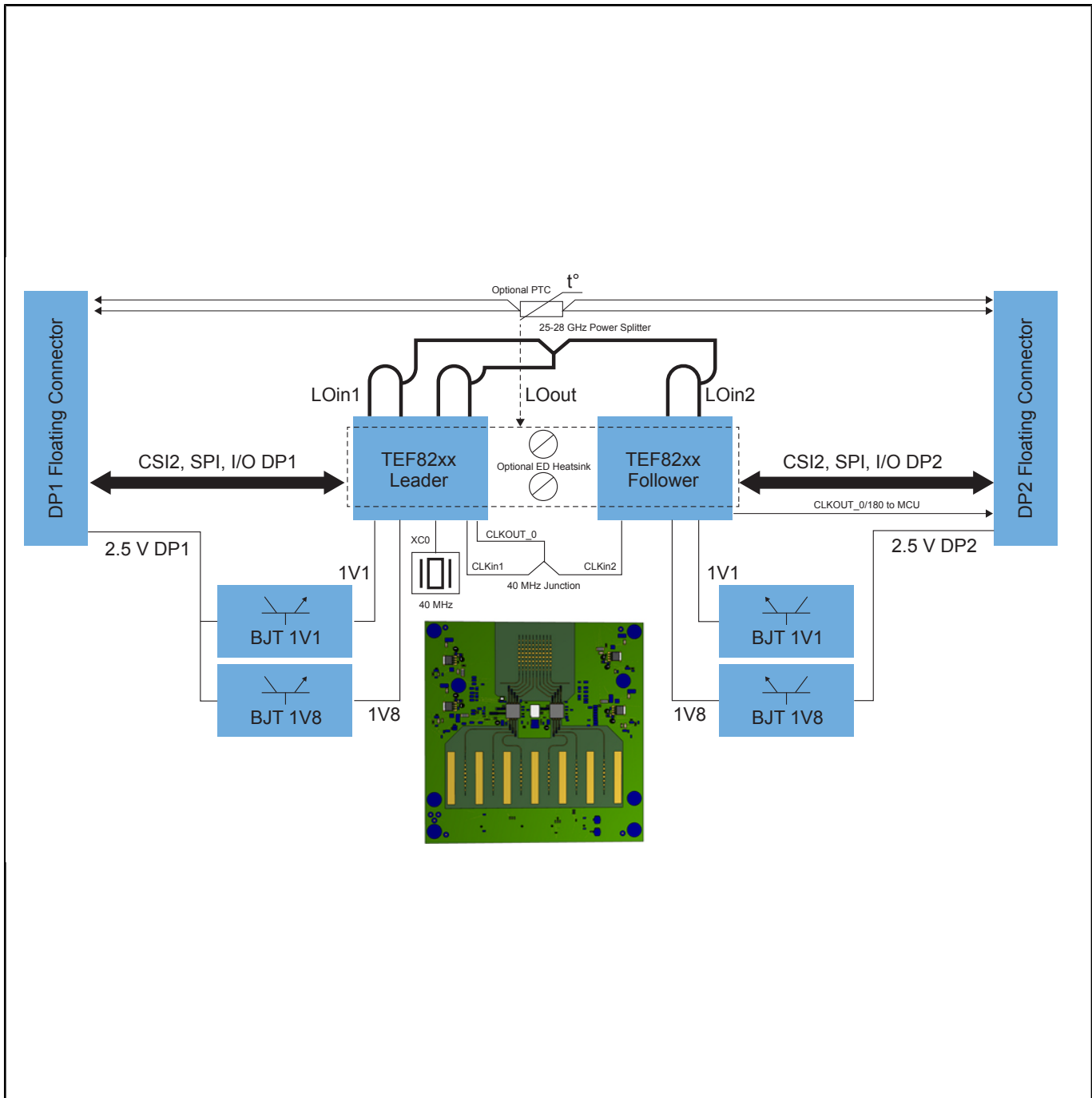
The TEF82-R294-KIT enables quick-start with TEF82xx GUI, TEF82xx control through IDEs: Python, MATLAB examples as well as support of S32R294 RSDK for development start. TEF82xx CAB, optimized for 78 GHz operation, contains dual TEF82xx (CSI-2) in cascaded setup, RF RX/TX channels wired to 6Tx x 8Rx antenna array.

The two boards feature combined power and high speed signal connectors to provide direct connection of the MIPI-CSI2 and SPI interfaces, allowing high speed data transfer to the MCU, along with SPI control signals and power domains to the RF transceiver. The TEF82-R294-KIT can be easily used to evaluate and develop radar application software and processing algorithms.

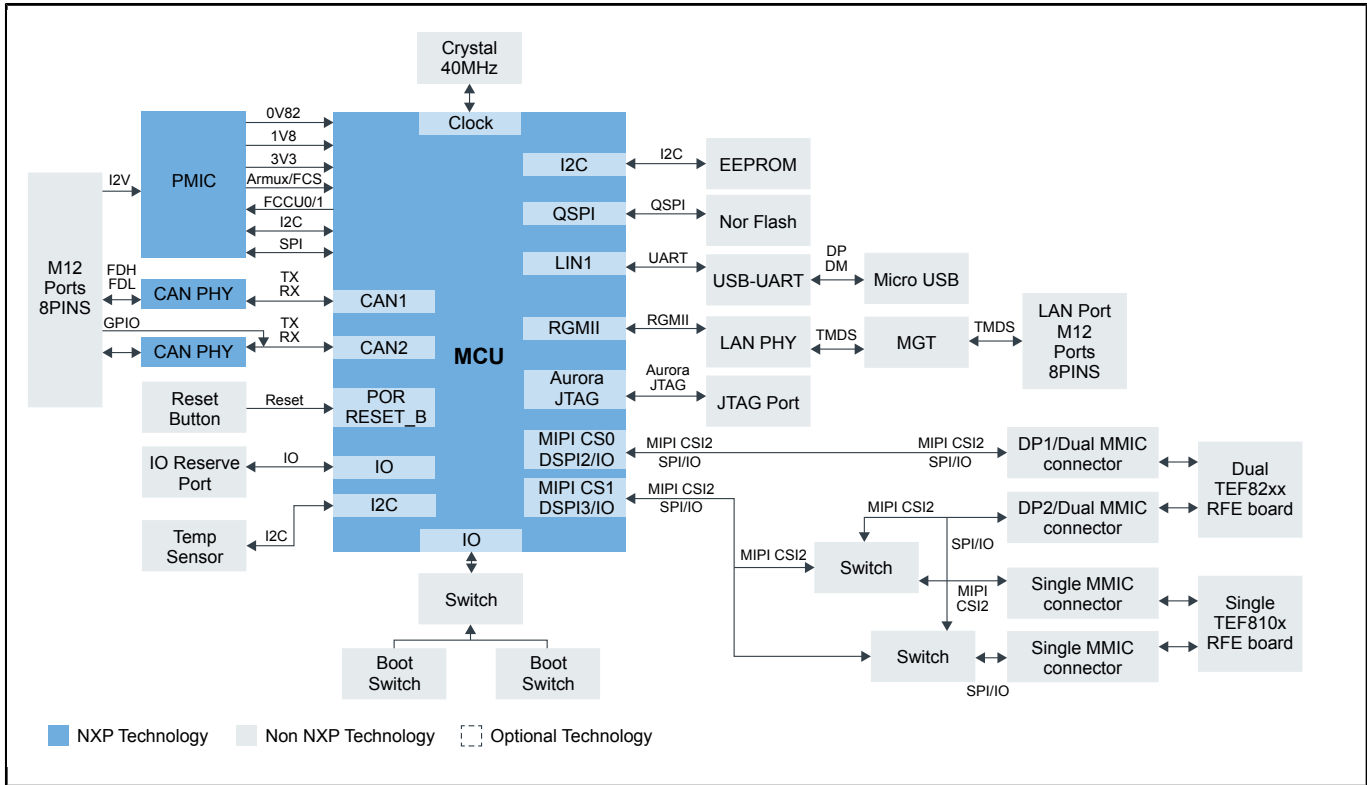
TEF82-R294-KIT System Block Diagram



TEF82-R294-KIT Customer Application Board Block Diagram



S32R294-RADB Radar Application Development Board Block Diagram



View additional information for [TEF82XX Customer Application Board + S32R294 Radar Application Development Board](#).

Note: The information on this document is subject to change without notice.

www.nxp.com

NXP and the NXP logo are trademarks of NXP B.V. All other product or service names are the property of their respective owners. The related technology may be protected by any or all of patents, copyrights, designs and trade secrets. All rights reserved. © 2024 NXP B.V.