



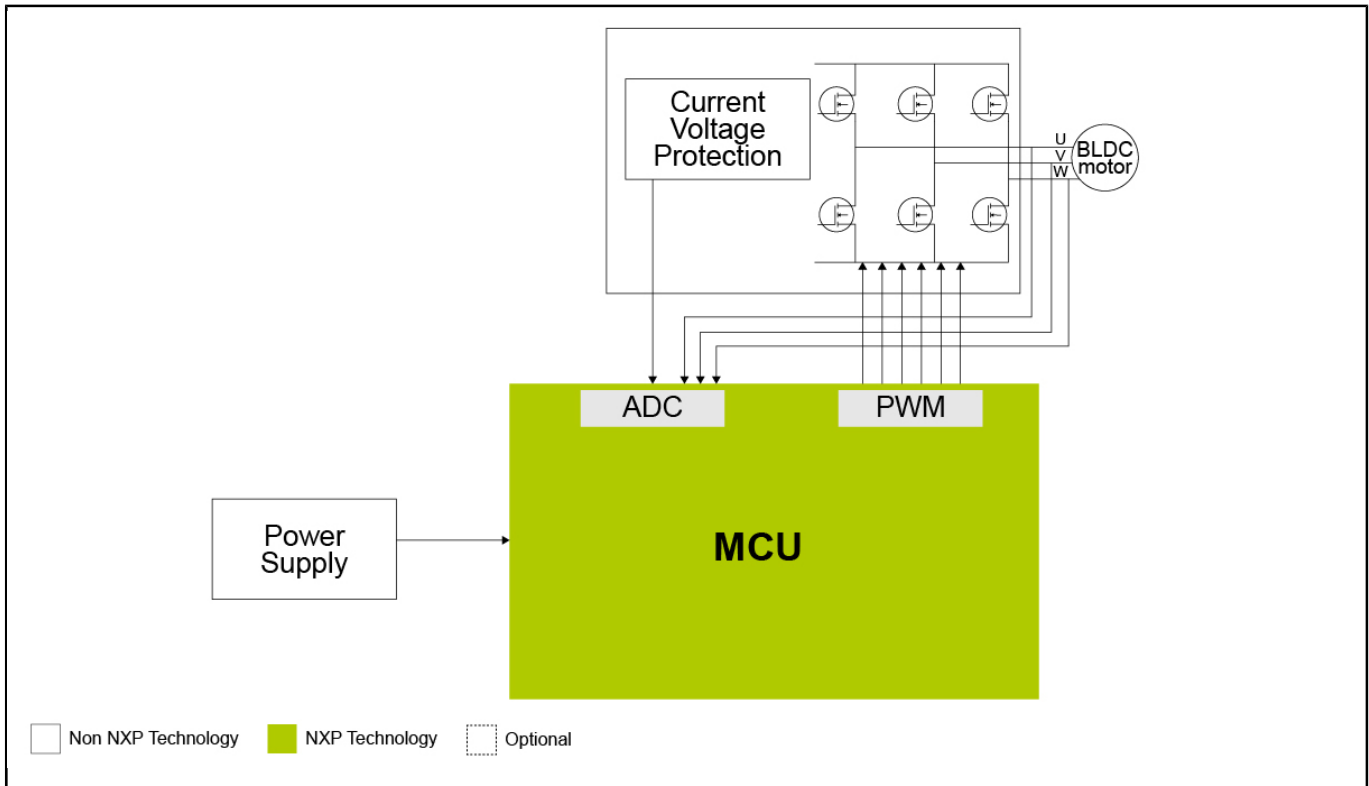
S08 Sensorless BLDC Control

SENSORLESS-BLDC-ESC

Last Updated: Aug 31, 2023

Sensorless BLDC control under ultra-high supply voltage (up to 18 V) is frequently required in many applications such as drone ESC and DC fan. This reference design is based on NXP's highly-integrated 8-bit S08 microcontroller MC9S08SU8/16. With its compact design, the BLDC control board can achieve great performance at a very low cost.

Sensorless BLDC Control Block Diagram



View additional information for [S08 Sensorless BLDC Control](#).

Note: The information on this document is subject to change without notice.

www.nxp.com

NXP and the NXP logo are trademarks of NXP B.V. All other product or service names are the property of their respective owners. The related technology may be protected by any or all of patents, copyrights, designs and trade secrets. All rights reserved. © 2024 NXP B.V.