



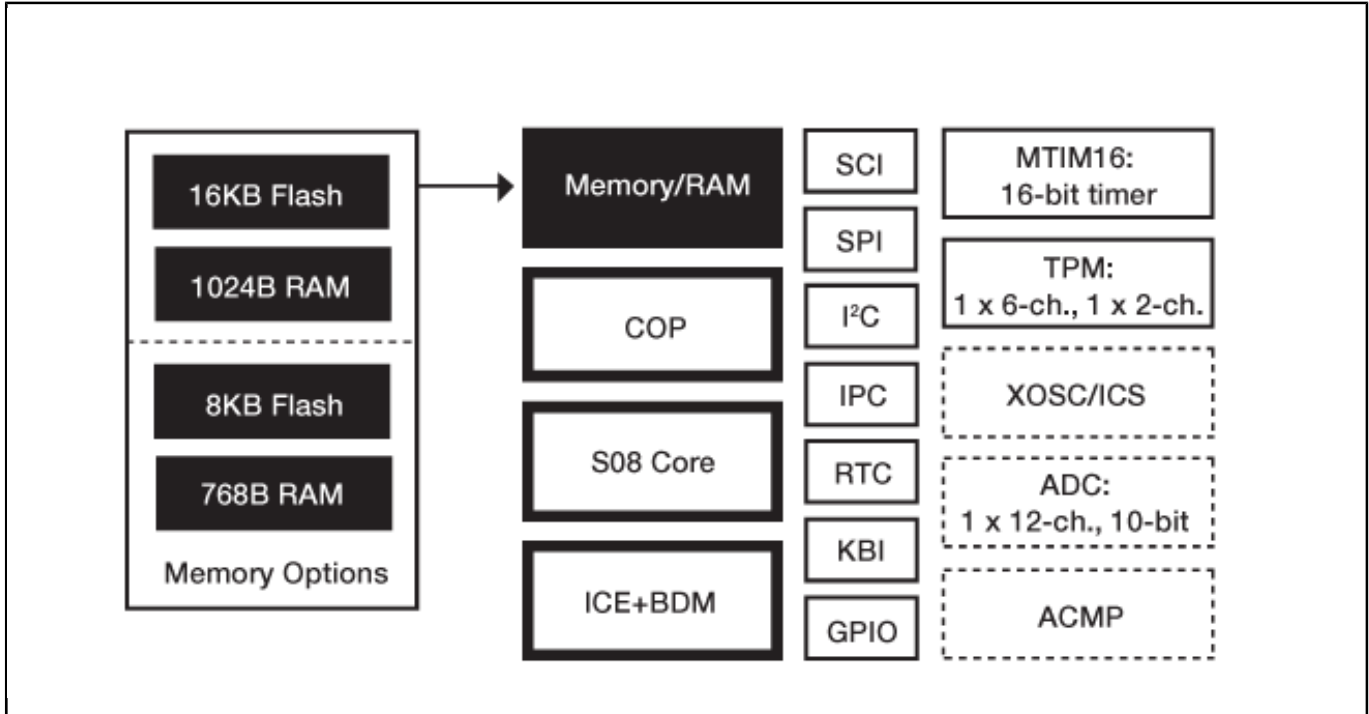
8-Bit General Purpose Enhanced Performance SV MCUs

S08SV

Last Updated: Dec 1, 2022

The 8-bit MC9S08SV16/8 (SV16/8) family of microcontrollers (MCUs) with enhanced performance, system reliability and design flexibility to meet the tough design requirements of industrial applications. The S08SV family increases design flexibility with 30 GPIO pins and simplifies software design through an interrupt priority controller with nested interrupt capability.

Freescale S08SV Microcontroller Block Diagram Block Diagram



View additional information for [8-Bit General Purpose Enhanced Performance SV MCUs](#).

Note: The information on this document is subject to change without notice.

www.nxp.com

NXP and the NXP logo are trademarks of NXP B.V. All other product or service names are the property of their respective owners. The related technology may be protected by any or all of patents, copyrights, designs and trade secrets. All rights reserved. © 2024 NXP B.V.