



Universal LCD driver for low multiplex rates

PCF8534AU

Not Recommended for New Designs

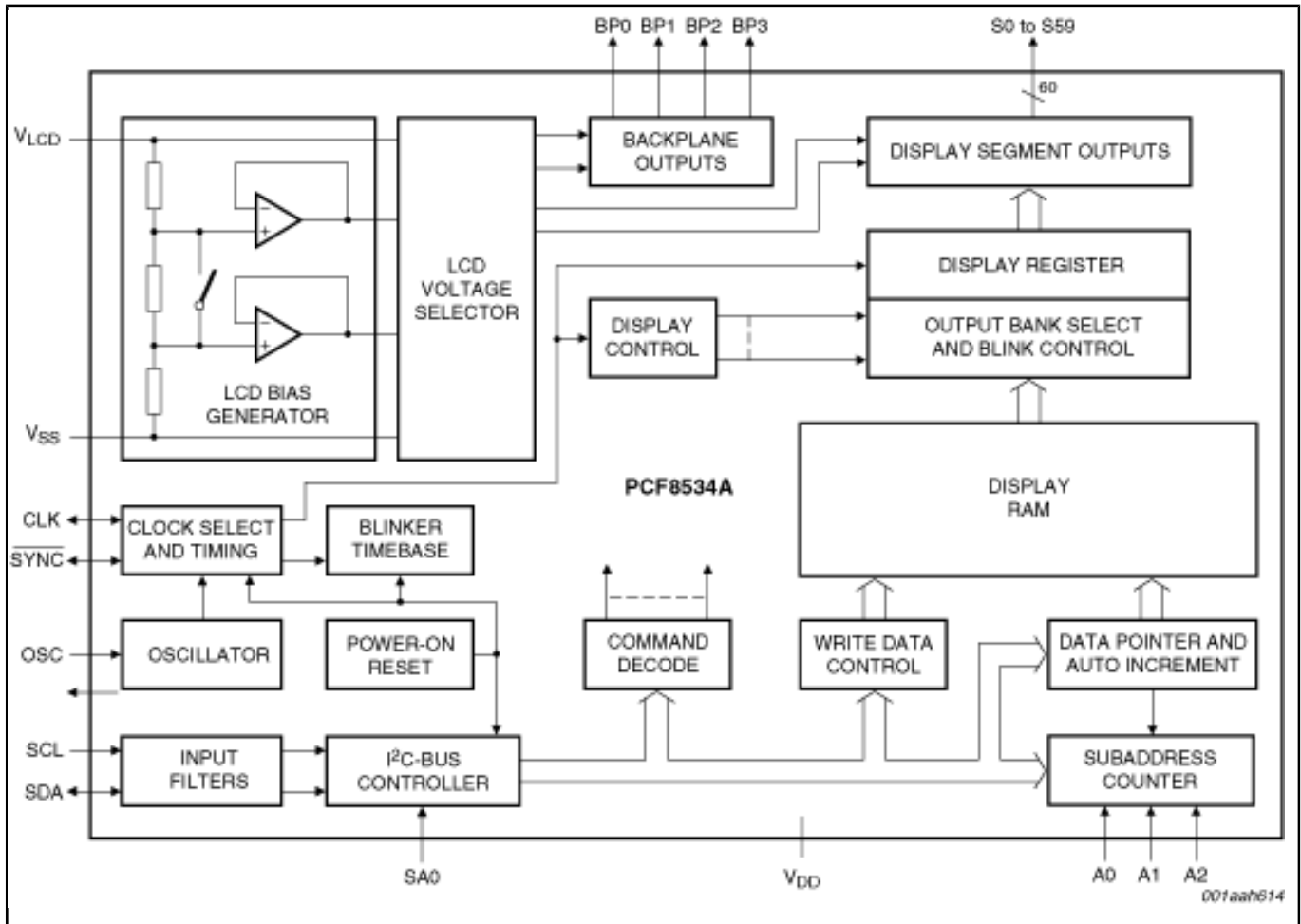
This page contains information on a product that is not recommended for new designs.

Last Updated: Oct 13, 2023

The PCF8534A is a peripheral device which interfaces to almost any Liquid Crystal Display (LCD) with low multiplex rates. It generates the drive signals for any static or multiplexed LCD containing up to four backplanes and up to 60 segments. It can be easily cascaded for larger LCD applications. The PCF8534A is compatible with most microcontrollers and communicates via the two-line bidirectional I²C-bus. Communication overheads are minimized by a display RAM with auto-incremented addressing, by hardware subaddressing, and by display memory switching (static and duplex drive modes).

PCF8534AHL should not be used for new designs. Recommended replacement: [PCF85134HL](#)

Block diagram: PCF8534AH, PCF8534AHL, PCF8534AU Block Diagram



View additional information for [Universal LCD driver for low multiplex rates](#).

Note: The information on this document is subject to change without notice.

www.nxp.com

NXP and the NXP logo are trademarks of NXP B.V. All other product or service names are the property of their respective owners. The related technology may be protected by any or all of patents, copyrights, designs and trade secrets. All rights reserved. © 2024 NXP B.V.