



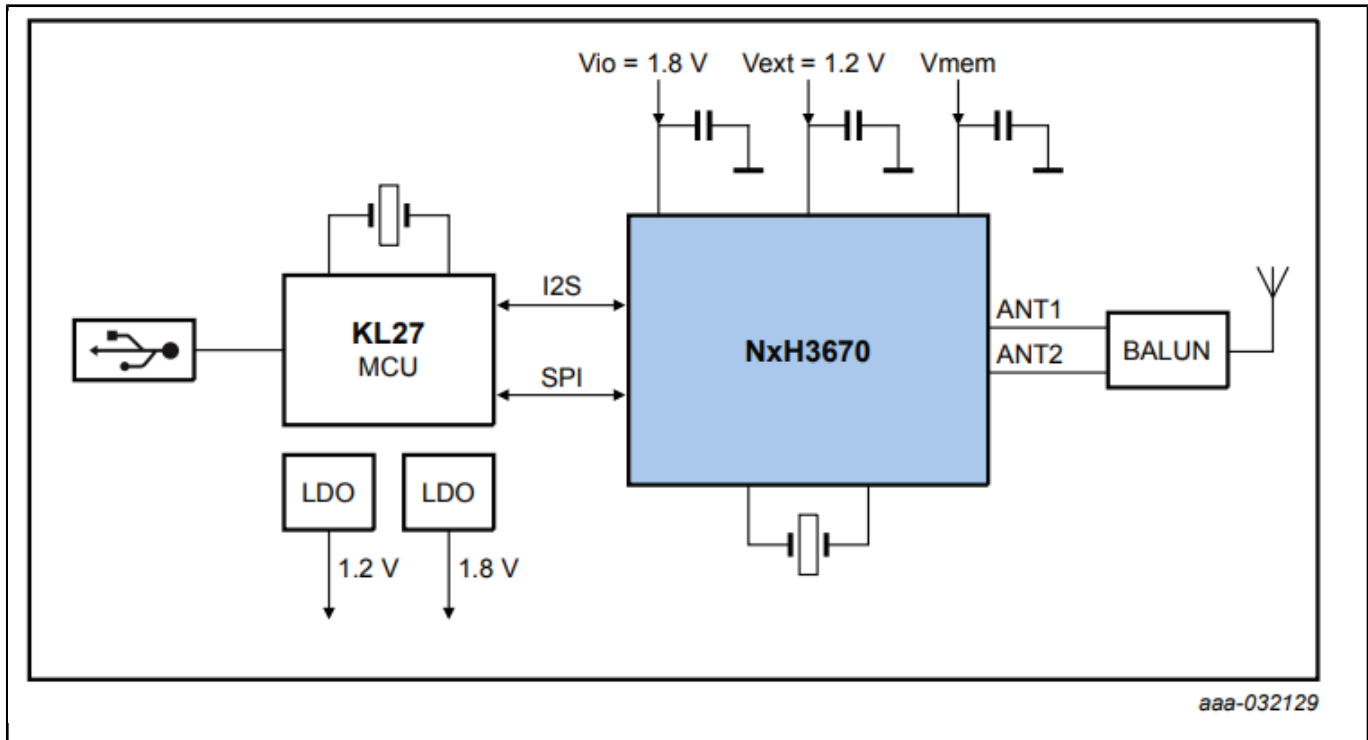
# NXH3670ADK Development Kit

## NXH3670ADK

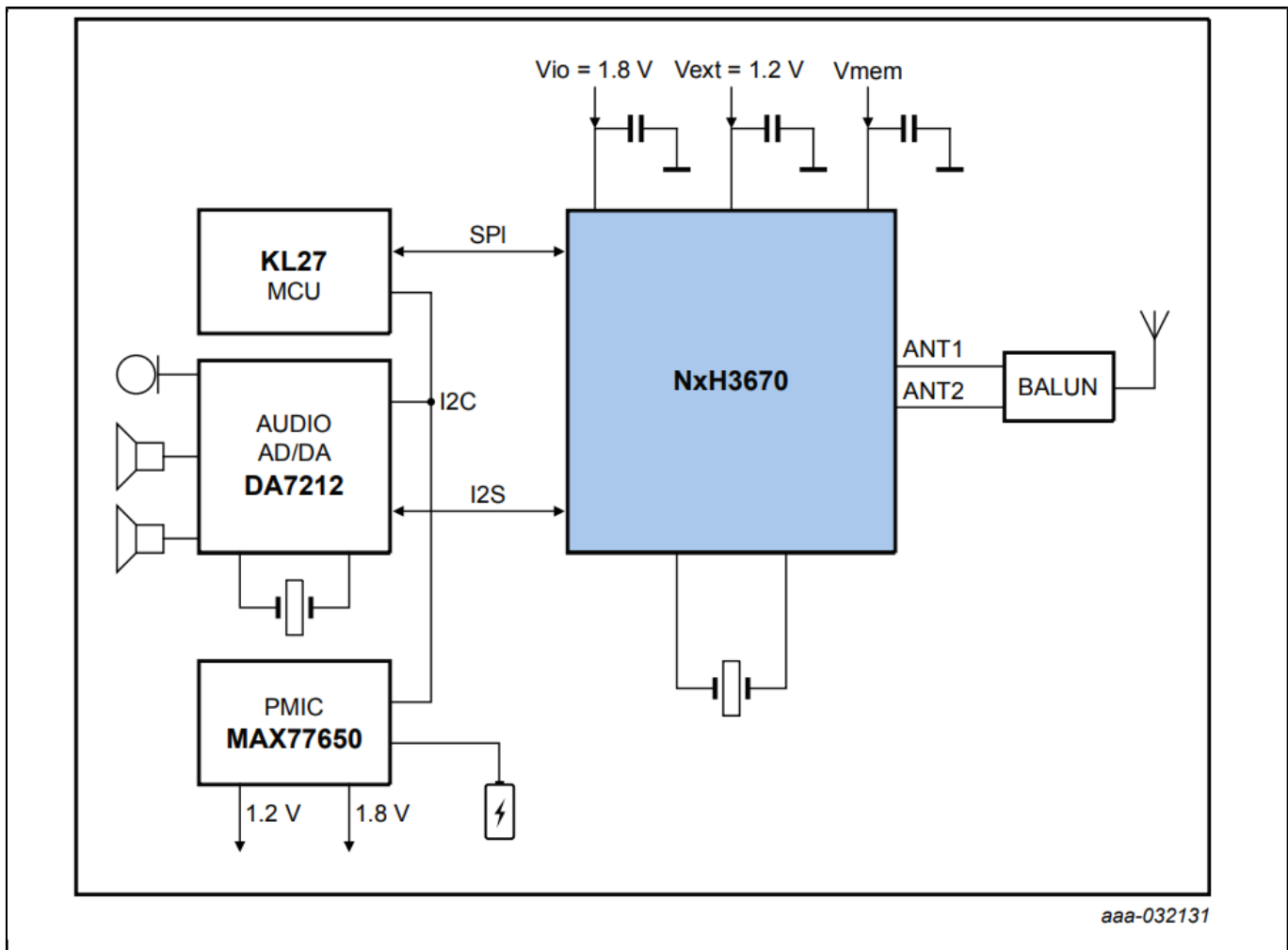
Last Updated: Dec 14, 2023

The NXH3670ADK (application development kit) consists of a dongle and headset board. The NXH3670ADK is an example of how an NXH3670 application can be made and is a reference in terms of performance.

## NXH3670ADK Block Diagram



## NXH3670ADK Headset Block Diagram



View additional information for [NXH3670ADK Development Kit](#).

**Note:** The information on this document is subject to change without notice.

---

**[www.nxp.com](http://www.nxp.com)**

NXP and the NXP logo are trademarks of NXP B.V. All other product or service names are the property of their respective owners. The related technology may be protected by any or all of patents, copyrights, designs and trade secrets. All rights reserved. © 2024 NXP B.V.