



Ultra-Reliable MPC56xS MCU for Automotive and Industrial Instrument Clusters

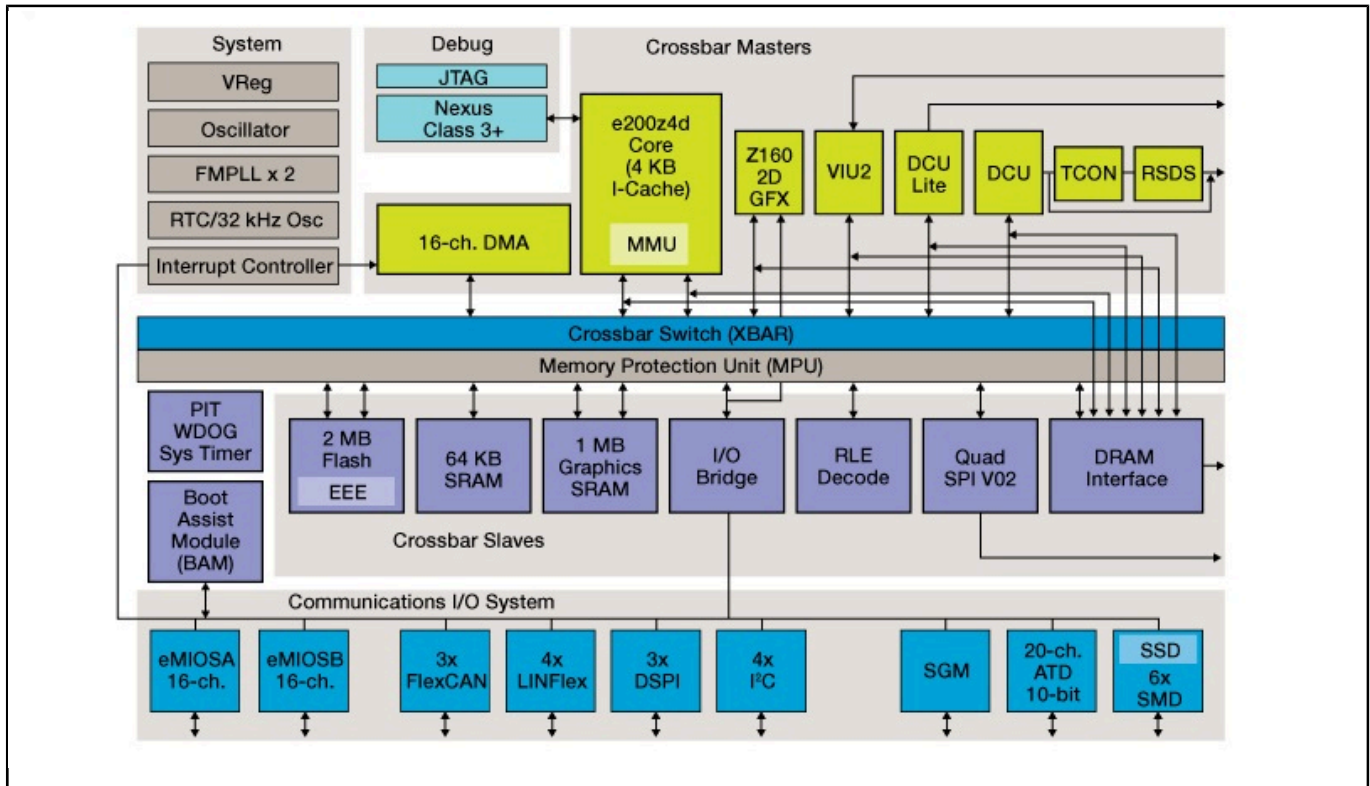
MPC564xS

Last Updated: Mar 12, 2024

The NXP® MPC564xS family of MCUs targets the needs of automotive instrument cluster and industrial markets.

- Includes on-chip display control units that directly drives the TFT displays
- Low-power design enables dynamic power management of core and peripherals
- Offers an industry standard graphics accelerator to help drive sophisticated graphics (e.g., simulated instrument cluster needles or image warping for heads-up displays)
- Offers code compatibility with applications in the MPC560xS environment
- Supported by robust enablement ecosystem to simplify and accelerate development

MPC564xS Block Diagram Block Diagram



View additional information for [Ultra-Reliable MPC56xS MCU for Automotive and Industrial Instrument Clusters](#).

Note: The information on this document is subject to change without notice.

www.nxp.com

NXP and the NXP logo are trademarks of NXP B.V. All other product or service names are the property of their respective owners. The related technology may be protected by any or all of patents, copyrights, designs and trade secrets. All rights reserved. © 2024 NXP B.V.