



NXP EdgeReady MCU-Based Solution for Local Voice Control

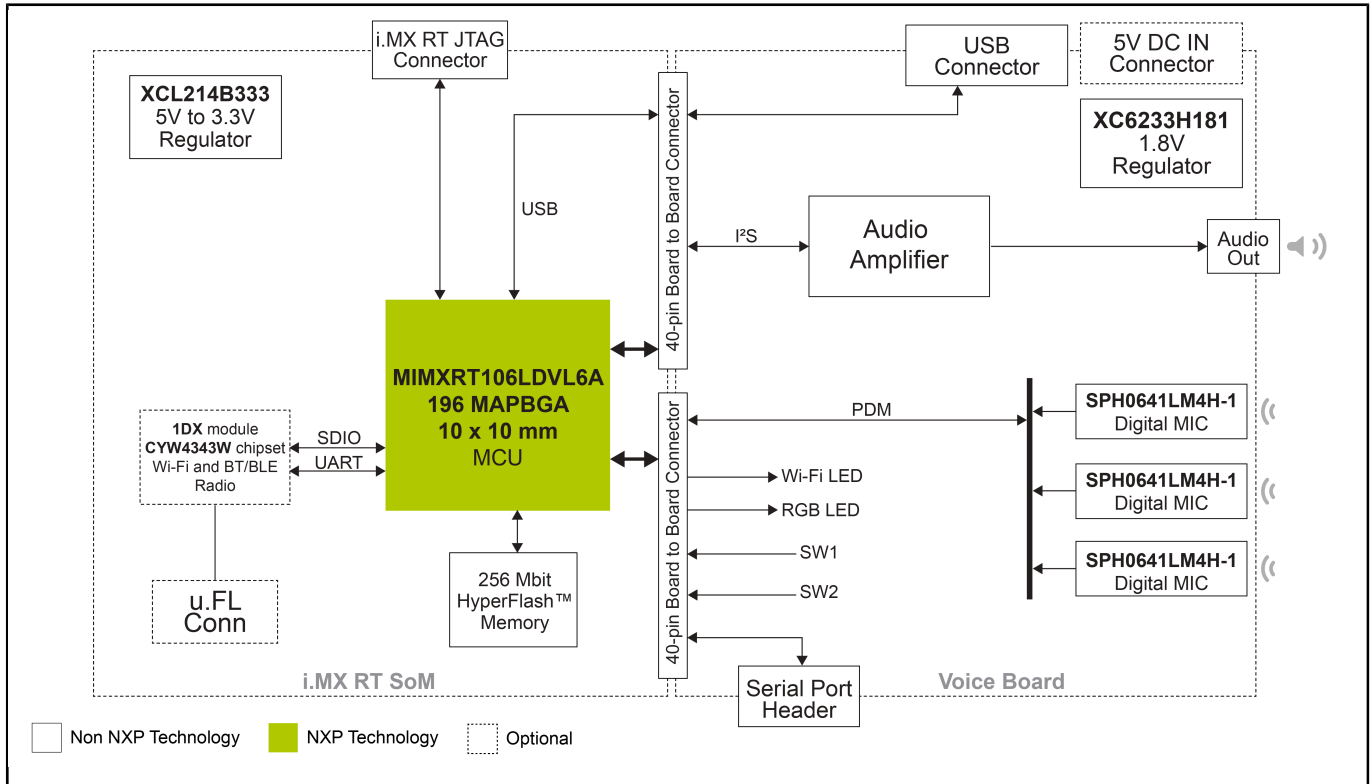
MCU-LOCAL-VOICE

Last Updated: May 30, 2023

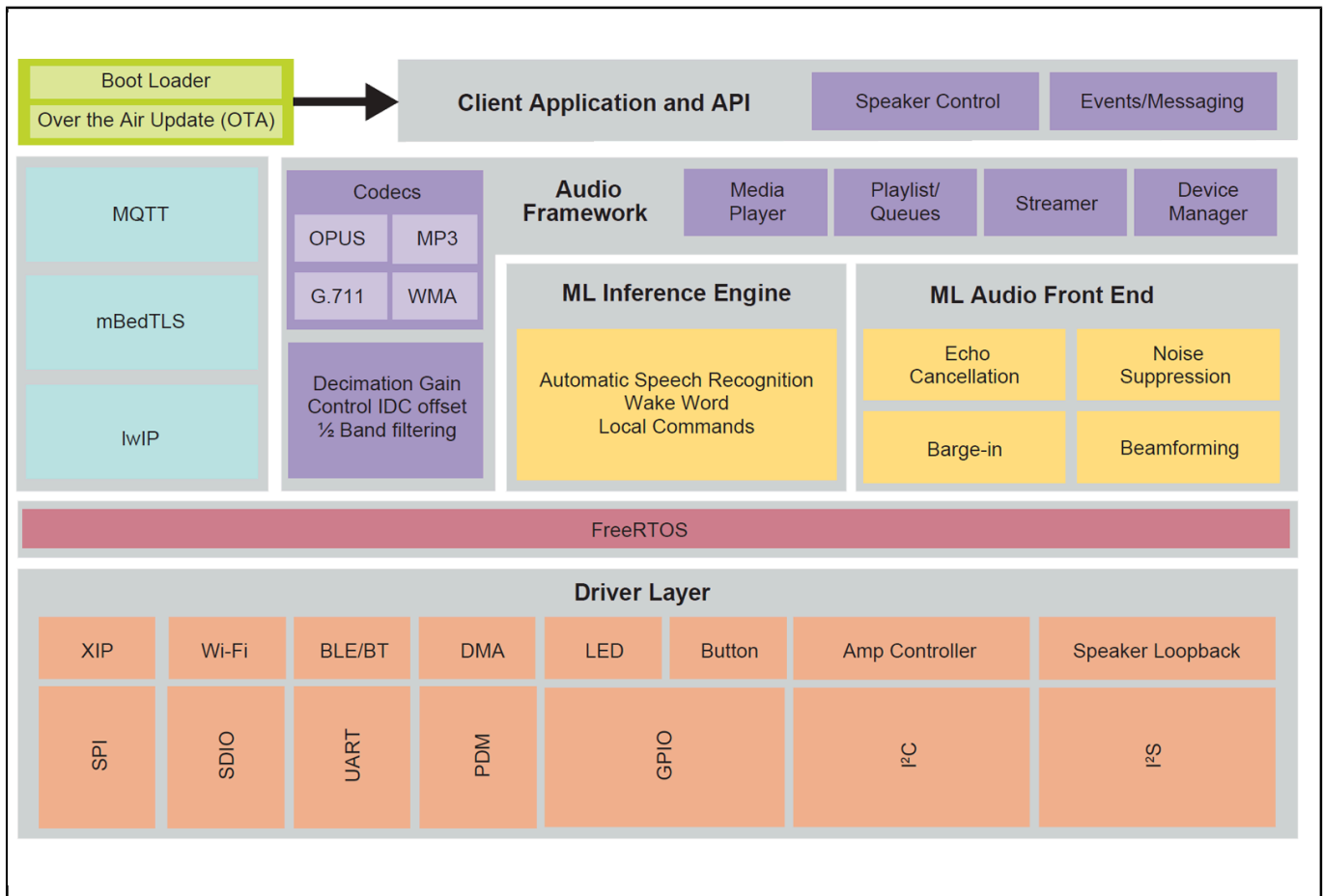
This product is not recommended for new designs, it has been replaced by an updated version, [here](#).

[NXP EdgeReady](#) MCU-based solution for local voice control leverages the i.MX RT106L crossover MCU, enabling developers to quickly and easily add local voice commands to their products. This ultra-small form-factor, production ready hardware design comes with fully integrated software running on FreeRTOS, for quick out-of-the-box evaluation and proof of concept development. This turnkey solution minimizes time to market, risk, and development effort enabling OEMs to easily add voice to their smart home and smart appliance products without the need for Wi-Fi® and cloud connectivity, addressing the privacy concerns of many consumers. This NXP EdgeReady solution is part of the EdgeVerse™ [edge computing](#) platform.

Local Voice Hardware Block Diagram



Local Voice Software Block Diagram



View additional information for [NXP EdgeReady MCU-Based Solution for Local Voice Control](#).

Note: The information on this document is subject to change without notice.

www.nxp.com

NXP and the NXP logo are trademarks of NXP B.V. All other product or service names are the property of their respective owners. The related technology may be protected by any or all of patents, copyrights, designs and trade secrets. All rights reserved. © 2024 NXP B.V.