



Safe System Basis Chip DC/DC up to 800 mA

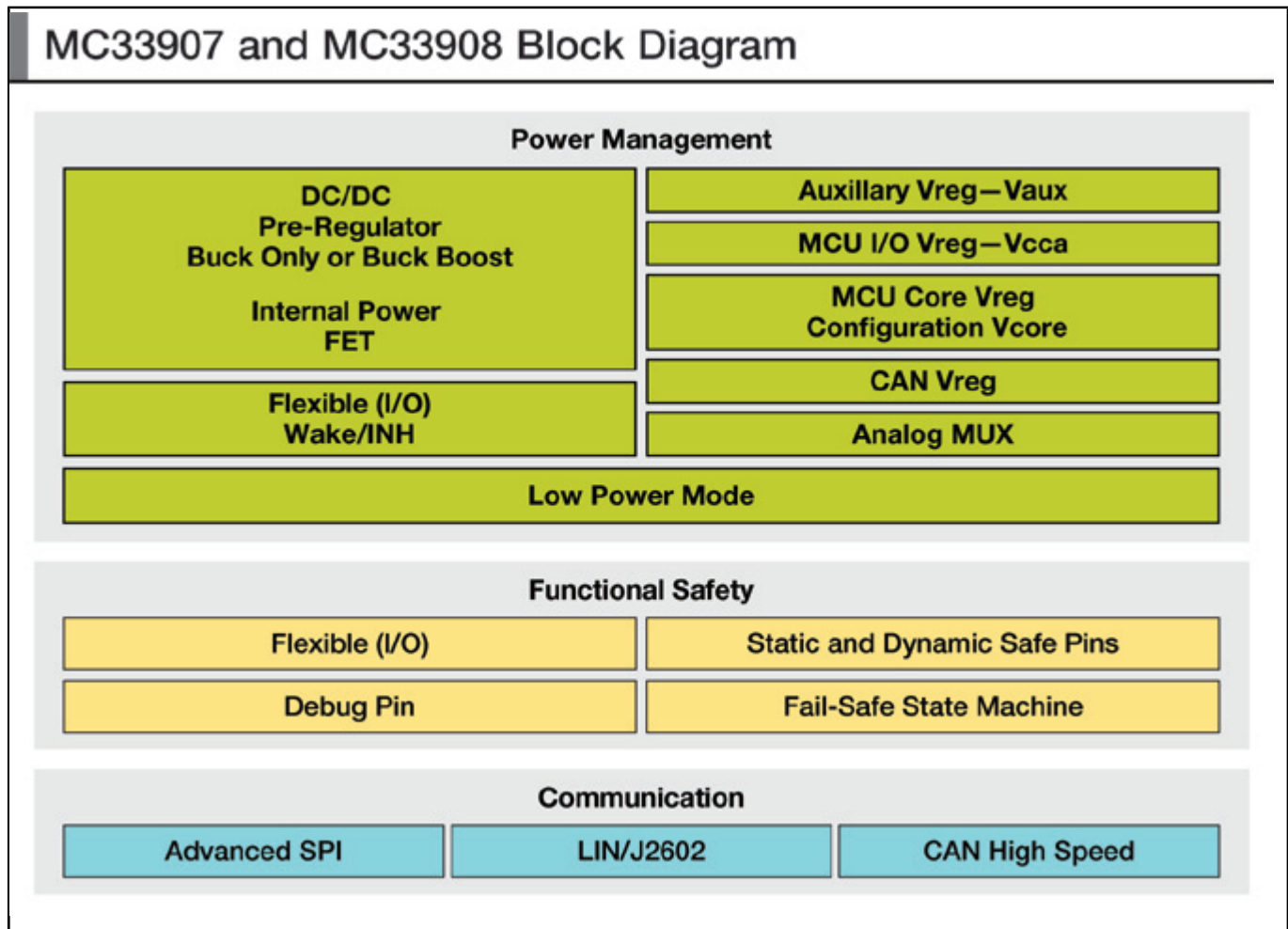
MC33907

Last Updated: Jan 19, 2024

The NXP® MC33907 system basis chip (SBC) provides power to MCUs and optimizes energy consumption through DC/DC switching regulators, linear regulators and ultra-low-power saving modes. Featuring:

- Advanced functional safety measures
- A serial peripheral interface (SPI) to allow control and diagnostics with the MCU
- Integration of CAN and LIN physical interfaces compliant with the ISO 11898-2,-5, LIN 2.2, 2.1/J2602-2 standards along with the latest automotive OEM standards for EMC and ESD
- A range of integrated safety features such as monitoring of critical analog parameters, a failsafe state machine and an advanced watchdog reduces software complexity with dual-core lock-step MCUs

MC33907 and MC33908 Block Diagram Block Diagram



View additional information for [Safe System Basis Chip DC/DC up to 800 mA](#).

Note: The information on this document is subject to change without notice.

www.nxp.com

NXP and the NXP logo are trademarks of NXP B.V. All other product or service names are the property of their respective owners. The related technology may be protected by any or all of patents, copyrights, designs and trade secrets. All rights reserved. © 2024 NXP B.V.