



# Four Channel Squib Driver IC

## MC33797

### Not Recommended for New Designs

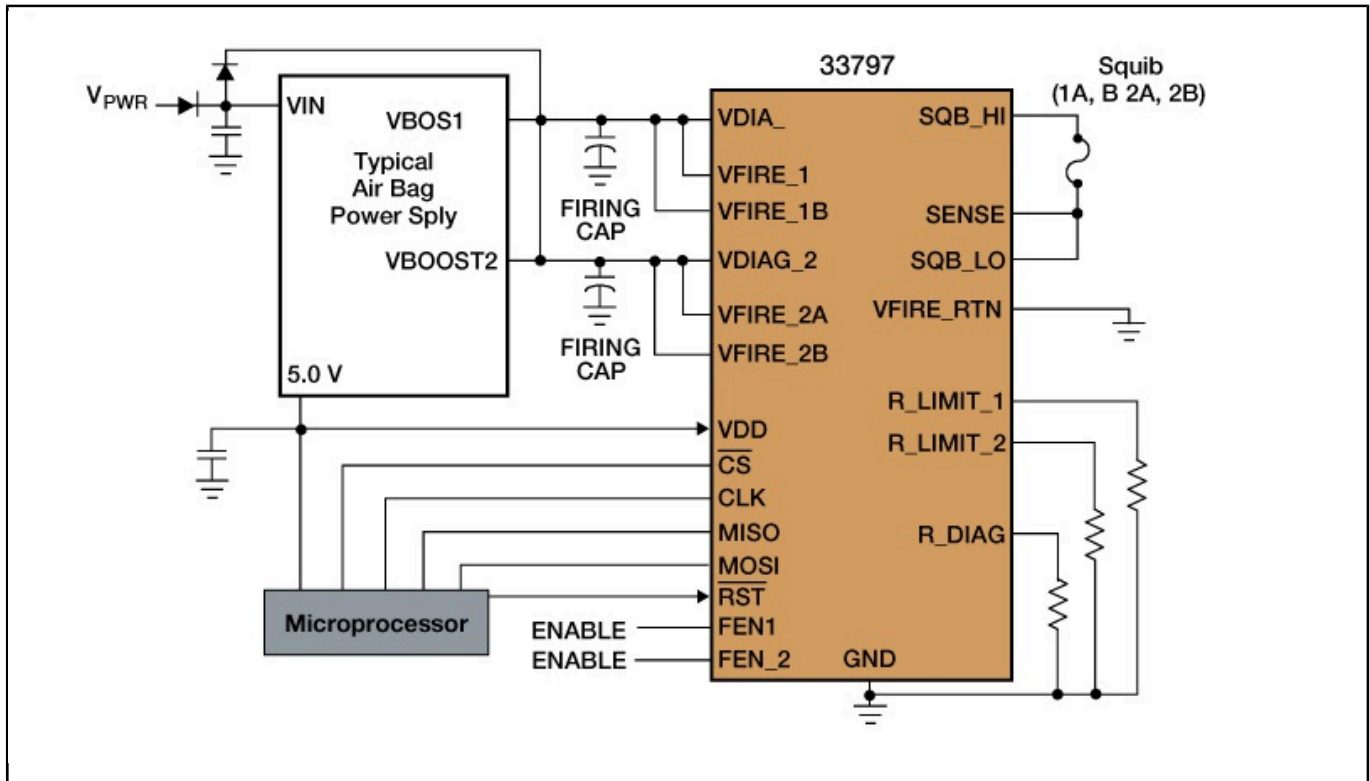
This page contains information on a product that is not recommended for new designs.

Last Updated: Sep 26, 2023

The NXP® MC33797 is a four-channel squib driver integrated circuit with a complete squib diagnostic and deployment interface for use in automotive air bag modules.

- Extensive diagnostics and system control features are incorporated to provide fail-safe operation
- Contains a SPI-compatible 8-bit interface to allow microprocessor control
- The device has the capability to be used in a standard four-channel squib driver IC or in a cross coupled state with the high- and low-side squib drivers located on separate squib driver ICs
- Both high- and low-side output drivers are protected against temporary shorts to battery or ground and the current limit threshold is set by an external resistor

## Four Channel Squib Driver IC Block Diagram



View additional information for [Four Channel Squib Driver IC](#).

**Note:** The information on this document is subject to change without notice.

**www.nxp.com**

NXP and the NXP logo are trademarks of NXP B.V. All other product or service names are the property of their respective owners. The related technology may be protected by any or all of patents, copyrights, designs and trade secrets. All rights reserved. © 2024 NXP B.V.