



ISO K Line Serial Link Interface

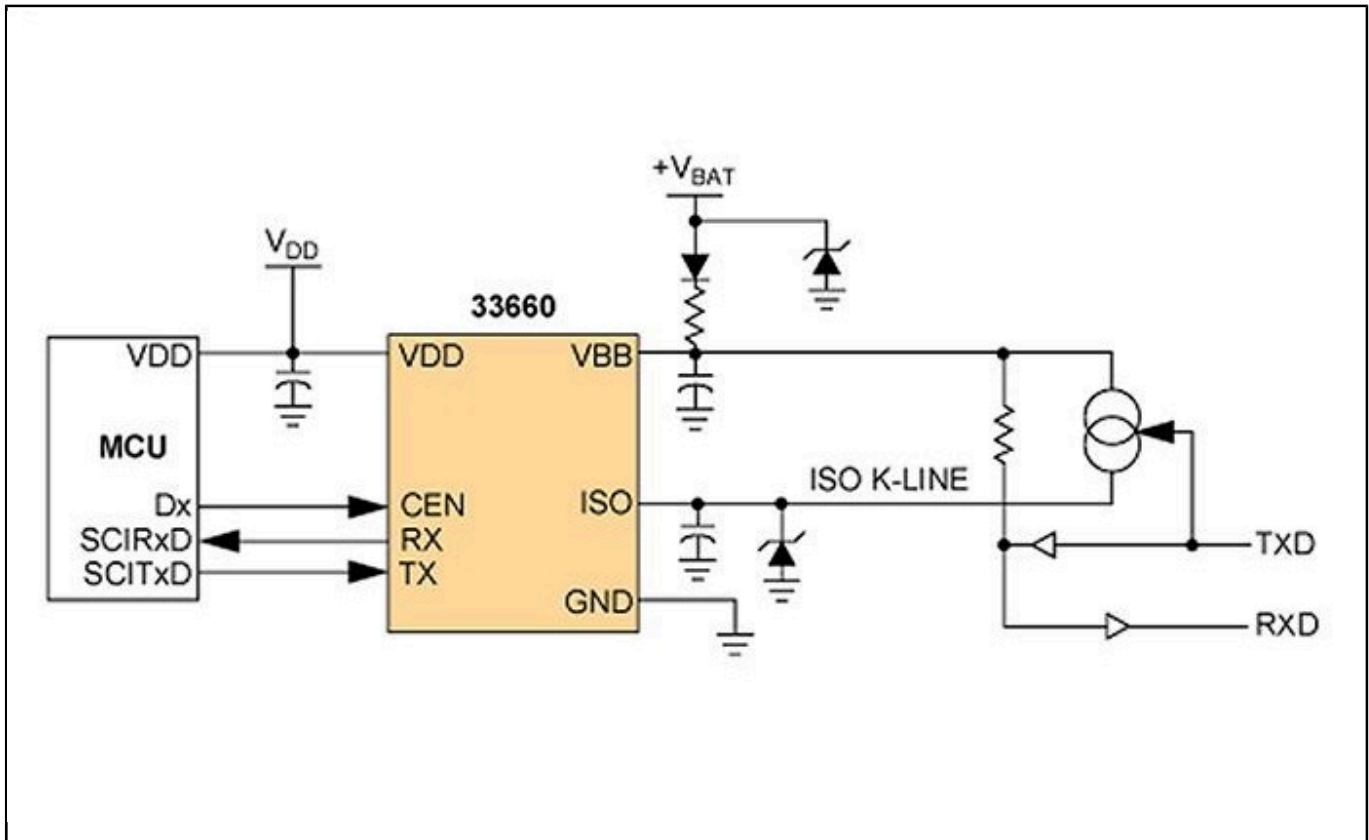
MC33660

Last Updated: Apr 12, 2024

The NXP® MC33660 is a serial link bus interface device designed to provide bi-directional half-duplex communication interfacing in automotive diagnostic applications.

- Designed to interface between the vehicle's on-board MCU and systems off-board the vehicle via the special ISO K line
- Meets the Diagnostic System ISO9141 specification
- The device's K line bus driver's output is fully protected against bus shorts and over-temperature conditions

MC33660 Simplified Application Drawing Block Diagram



View additional information for [ISO K Line Serial Link Interface](#).

Note: The information on this document is subject to change without notice.

www.nxp.com

NXP and the NXP logo are trademarks of NXP B.V. All other product or service names are the property of their respective owners. The related technology may be protected by any or all of patents, copyrights, designs and trade secrets. All rights reserved. © 2024 NXP B.V.