



External Automotive Lighting Multi-Channel eXtreme Switch

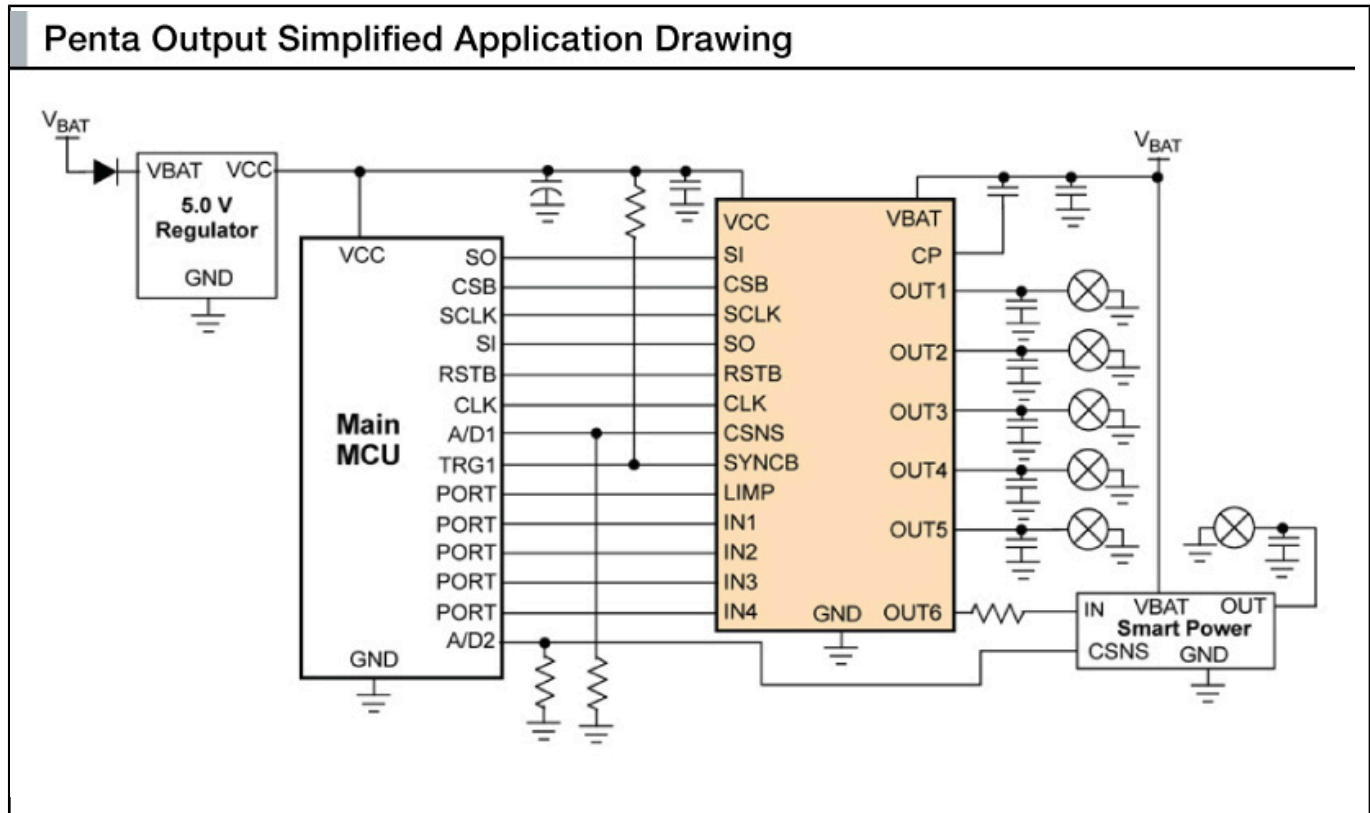
MC12XS6

Last Updated: Jul 20, 2023

The NXP® 12XS6 is a 4th generation eXtreme switch for automotive lighting drivers that can control and diagnose bulbs and light emitting diodes (LEDs) with enhanced diagnostic precision.

- Combines flexibility through daisy chainable SPI at 5.0 MHz, extended digital and analog feedbacks, safety and robustness
- Low RDS(ON) and high integration allows power and space saving at the module level
- Dual, triple, quad, and penta-output devices are hardware and SPI compatible
- Packaged in a Pb-Free power-enhanced SOIC package with exposed pad, which is ELV compliant

Penta Output Simplified Application Drawing Block Diagram



View additional information for [External Automotive Lighting Multi-Channel eXtreme Switch](#).

Note: The information on this document is subject to change without notice.

www.nxp.com

NXP and the NXP logo are trademarks of NXP B.V. All other product or service names are the property of their respective owners. The related technology may be protected by any or all of patents, copyrights, designs and trade secrets. All rights reserved. © 2024 NXP B.V.