



# KEA128 and MC10XS3425 Light Control and E-Switch Reference Design

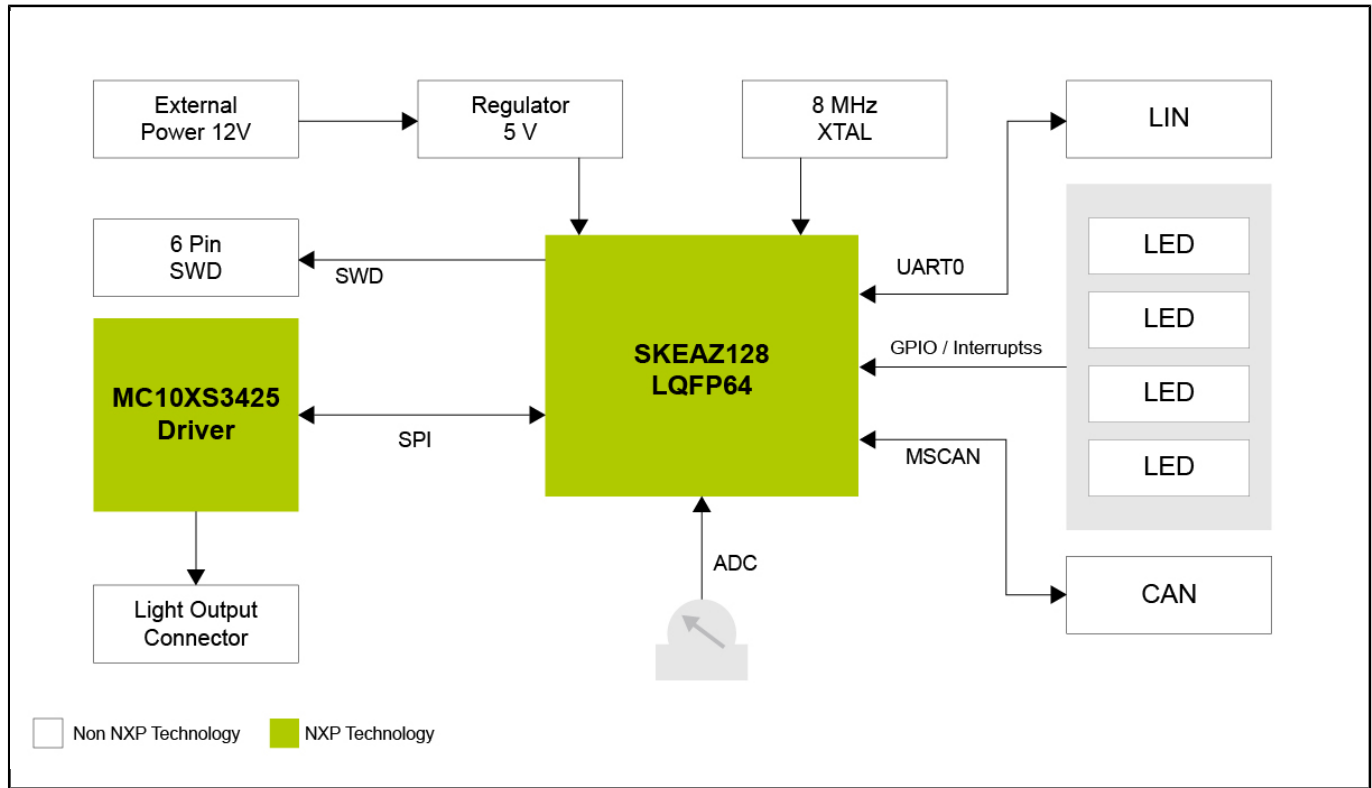
## KEA128LEDLIGHTRD

Last Updated: Dec 13, 2023

The KEA128LEDLIGHTRD is a reference design for controlling automotive lighting (high/low beam, turning and braking) and for diagnosing the status of the front headlamp using with eXtreme switch.

Based on the 32-bit Arm® Cortex®-M0+ Kinetis® KEA128 automotive-grade MCU and the MC10XS3425 eXtreme switch, the KEA128LEDLIGHTRD offers a LIN and CAN communication-based complete headlight environment control solution, including LEDs, tail lights, turn signals, lamp current control and diagnostics.

## Light Control and E-switch Block Diagram



View additional information for [KEA128 and MC10XS3425 Light Control and E-Switch Reference Design](#).

**Note:** The information on this document is subject to change without notice.

**www.nxp.com**

NXP and the NXP logo are trademarks of NXP B.V. All other product or service names are the property of their respective owners. The related technology may be protected by any or all of patents, copyrights, designs and trade secrets. All rights reserved. © 2024 NXP B.V.