



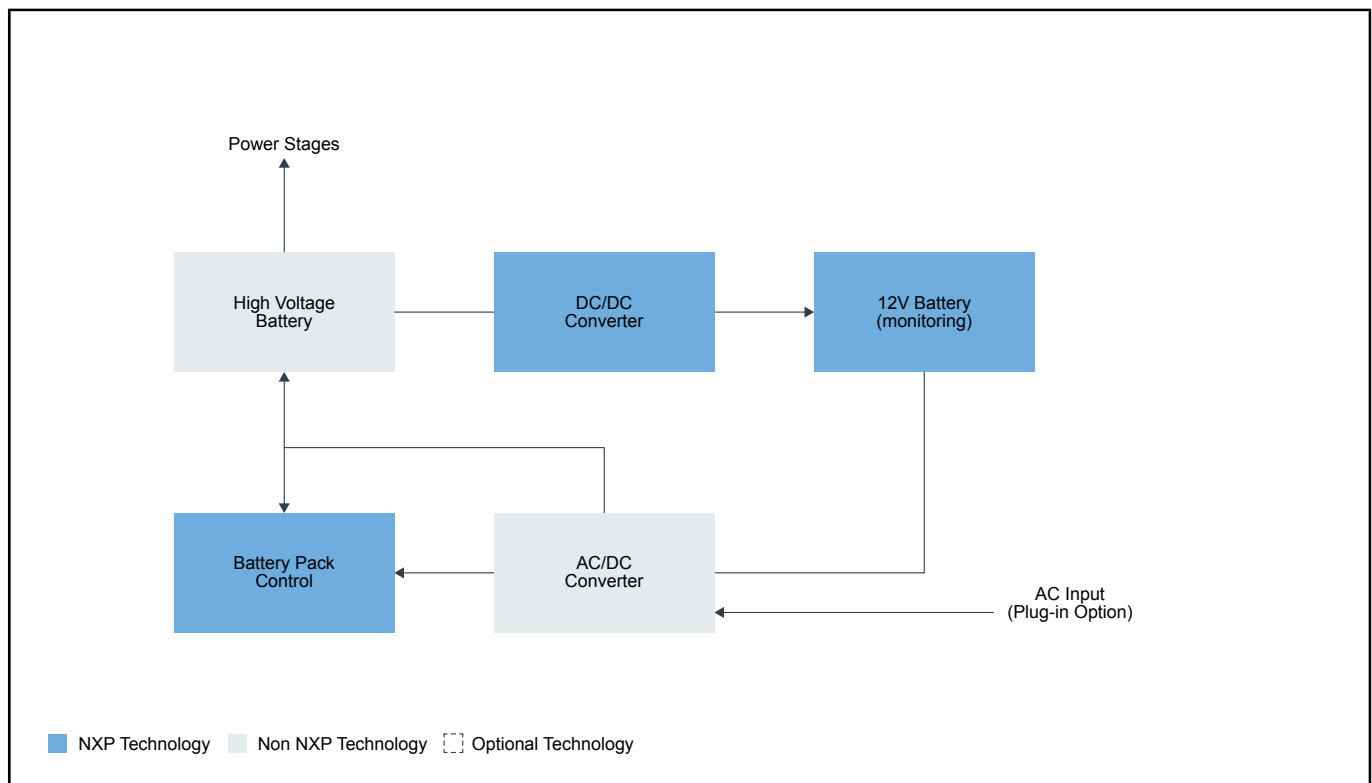
Hybrid Electric Vehicle (HEV) Applications

Last Updated: May 10, 2023

With the need for cleaner cars and fewer emissions, NXP has developed a portfolio that provides the building blocks for all the different electric vehicle types:

- Converter and charger: the AC-DC charger interfaces with the BMS to ensure a proper charge of electricity of the cells until it fulfills high-voltage requirements.
- Start/stop system: 8-, 16-bit MCUs with analog switches, system basis chips and transceivers to handle the high current and reliability.
- Hybrid control unit: controls power distribution, energy storage, engine and motor to enhance the efficiency of the HEV powertrain.

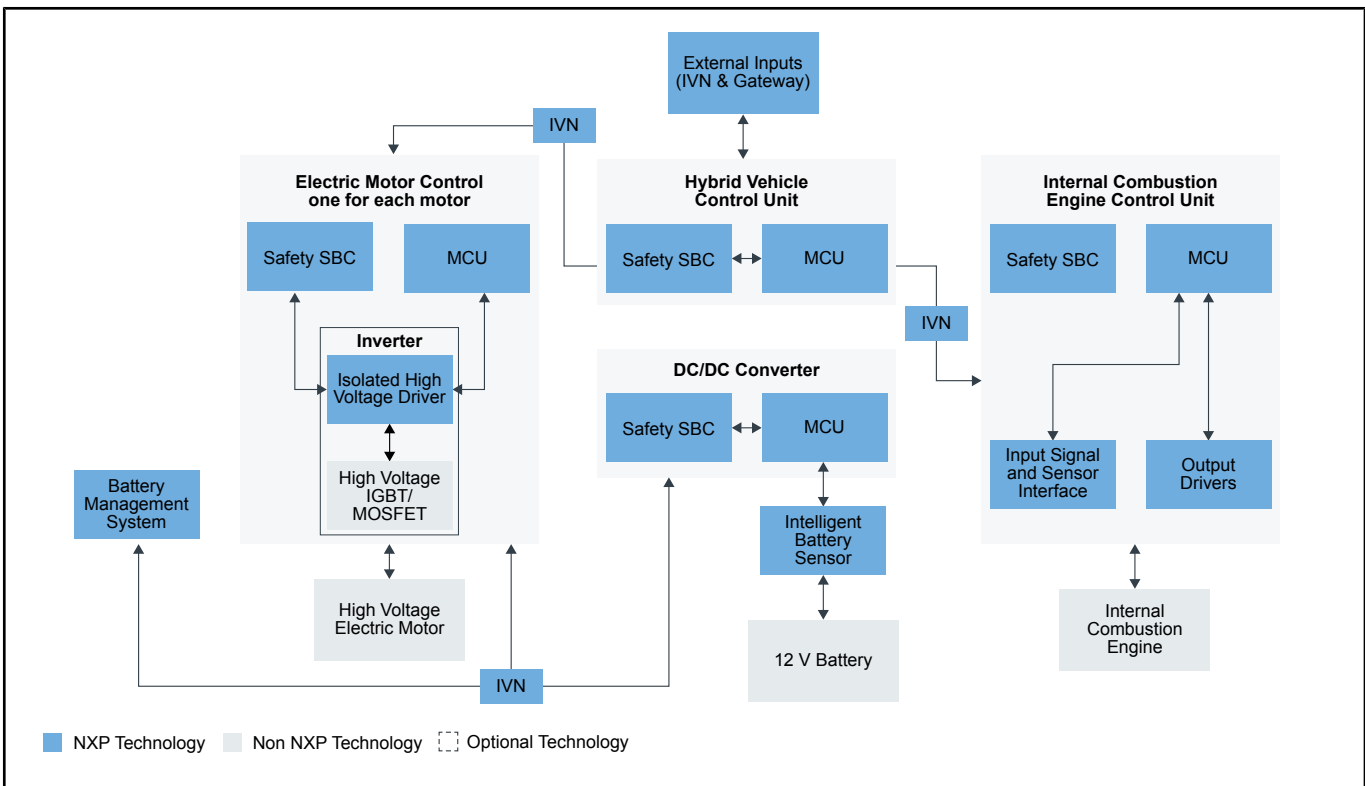
Converter and Charger Block Diagram



Recommended Products for Converter and Charger

Battery Pack Control	<ul style="list-style-type: none"> • MPC560xB: Ultra-Reliable MPC56xB MCU for Automotive and Industrial General Purpose • S12XE: Ultra-Reliable S12XE High-Performance Automotive and Industrial Microcontrollers • S12XS: S12XS Automotive and Industrial Microcontrollers (MCUs) • S12P: S12P Automotive and Industrial Microcontrollers (MCUs) • S12G: Ultra-Reliable S12G General Purpose Automotive and Industrial Microcontrollers
12 V Battery Monitoring	<ul style="list-style-type: none"> • MM912_637: Battery Sensor with LIN for 12 V Lead-Acid Batteries
DC/DC converter	<ul style="list-style-type: none"> • 56F824X_825X: Digital Signal Controller

Powertrain Block Diagram

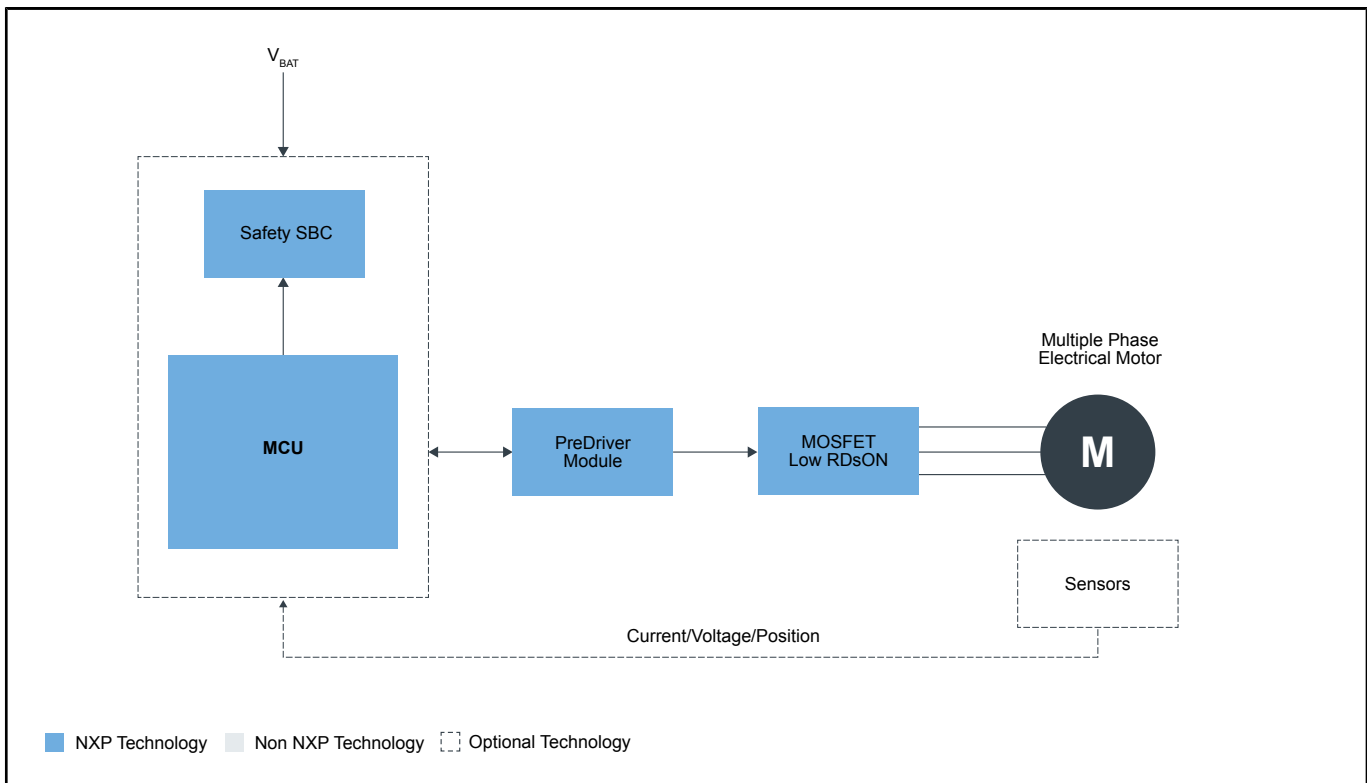


Recommended Products for Powertrain

Safety SBC	<ul style="list-style-type: none"> • FS6600: Safety System Basis Chip for S32S2 Microcontroller, Fit for ASIL D • FS6500: Grade 1 and Grade 0 Safety Power System Basis Chip with CAN Flexible Data Transceiver • FS26: Safety System Basis Chip with Low Power, for ASIL D Systems • FS4500: Grade 1 and Grade 0 Safety Power System Basis Chip with CAN Flexible Data Transceiver
Gate Driver	<ul style="list-style-type: none"> • GD3162: Advanced High Voltage Isolated Gate Driver with Dynamic Gate Strength Control • GD3160: Advanced High Voltage Isolated Gate Driver with Segmented Drive for SiC MOSFETs • GD3100: Advanced High Voltage Isolated Gate Driver for IGBT and SiC MOSFETs
Microcontrollers (MCU)	<ul style="list-style-type: none"> • S32Z and S32E Real-Time Processors: S32Z and S32E Real-Time Processors • S32K39-37: S32K39/37/36 Microcontrollers for Electrification Applications • MPC574xP: Ultra-Reliable MPC574xP MCU for Automotive and Industrial Safety Applications • MPC5777C: Ultra-Reliable MPC5777C MCU for Automotive and Industrial Engine Management

	<ul style="list-style-type: none"> • MPC564xL: Ultra-Reliable Dual-Core 32-bit MCU for Automotive and Industrial Applications • MPC5775B-E: MPC5775B and MPC5775E Microcontrollers for Battery Management Systems (BMS) and Inverter Applications
Input Signal and Sensor Interface	<ul style="list-style-type: none"> • CD1020: Low-Cost 22-CH Multiple Switch Detect Interface
Output Drivers	<ul style="list-style-type: none"> • CD1020: Low-Cost 22-CH Multiple Switch Detect Interface
External Inputs (IVN & Gateway)	<ul style="list-style-type: none"> • MPC574xB-C-G: Ultra-Reliable MPC574xB/C/G MCUs for Automotive and Industrial Control and Gateway • S32G2: S32G2 Processors for Vehicle Networking
External Inputs (IVN & Gateway)	<ul style="list-style-type: none"> • MPC574xB-C-G: Ultra-Reliable MPC574xB/C/G MCUs for Automotive and Industrial Control and Gateway • S32G2: S32G2 Processors for Vehicle Networking
Battery Management System	<ul style="list-style-type: none"> • Battery Management System (BMS): Battery Management System (BMS)
Battery Management System	<ul style="list-style-type: none"> • Battery Management System (BMS): Battery Management System (BMS)

Stop and Start System Block Diagram



Recommended Products for Stop and Start System

Microcontrollers (MCU)	<ul style="list-style-type: none"> • MPC560xB: Ultra-Reliable MPC56xB MCU for Automotive and Industrial General Purpose • S12XE: Ultra-Reliable S12XE High-Performance Automotive and Industrial Microcontrollers • S12XS: S12XS Automotive and Industrial Microcontrollers (MCUs)
------------------------	--

	<ul style="list-style-type: none"> • S12P: S12P Automotive and Industrial Microcontrollers (MCUs) • S12G: Ultra-Reliable S12G General Purpose Automotive and Industrial Microcontrollers • S32 Automotive Platform: S32 Automotive Processing Platform
Safety SBC	<ul style="list-style-type: none"> • FS4500: Grade 1 and Grade 0 Safety Power System Basis Chip with CAN Flexible Data Transceiver • FS26: Safety System Basis Chip with Low Power, for ASIL D Systems • FS6600: Safety System Basis Chip for S32S2 Microcontroller, Fit for ASIL D
CAN/LIN Transceiver	<ul style="list-style-type: none"> • CAN Transceivers: CAN Transceivers
Pre-Driver Module	<ul style="list-style-type: none"> • MC33937: 3-Phase Field Effect Transistor Pre-Driver
MOSFET Low RDs	<ul style="list-style-type: none"> • MC12XS2: 12 V Multipurpose Low RDSON eXtreme Switch

View our complete solution for [Hybrid Electric Vehicle \(HEV\) Applications](#).

Note: The information on this document is subject to change without notice.

www.nxp.com

NXP and the NXP logo are trademarks of NXP B.V. All other product or service names are the property of their respective owners. The related technology may be protected by any or all of patents, copyrights, designs and trade secrets. All rights reserved. © 2024 NXP B.V.