



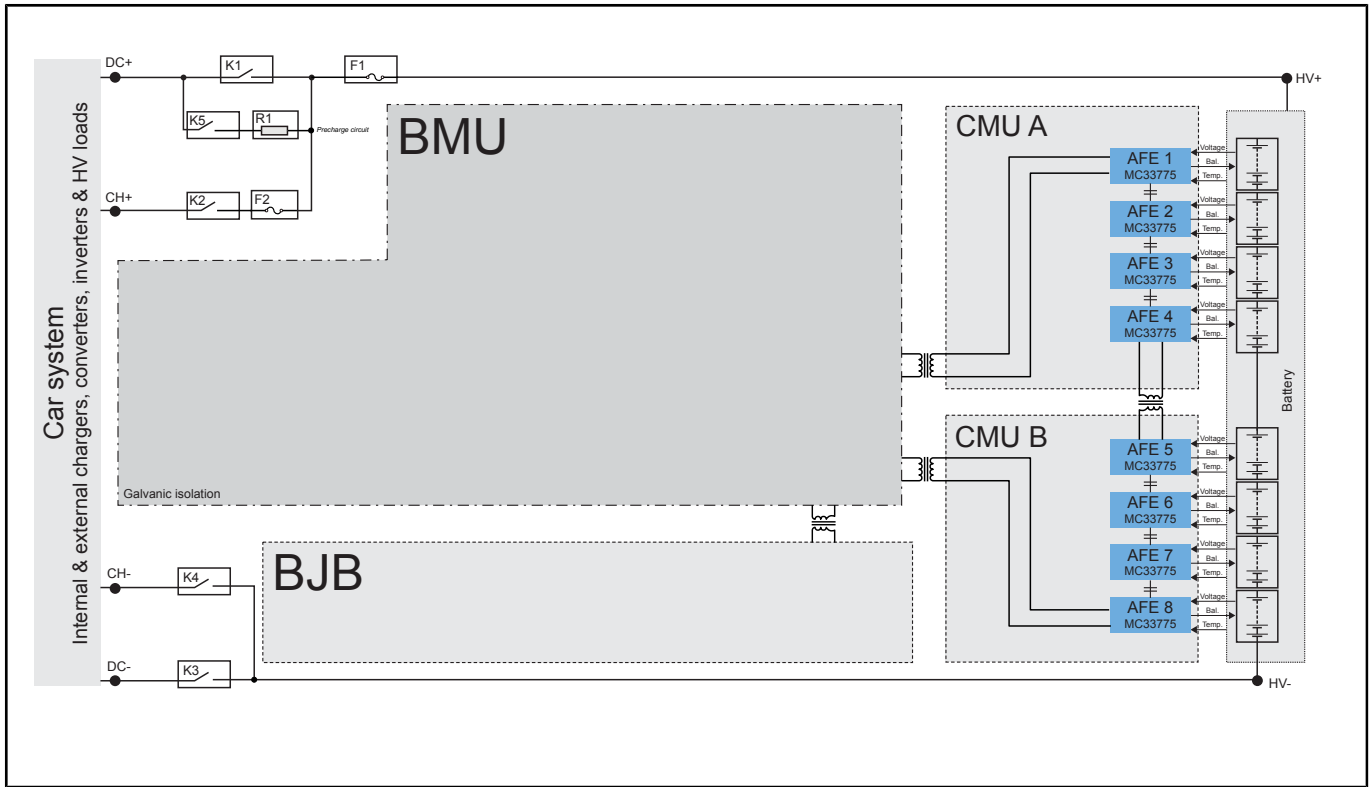
HVBMS Cell Monitoring Unit (CMU)

HVBMS-CMU

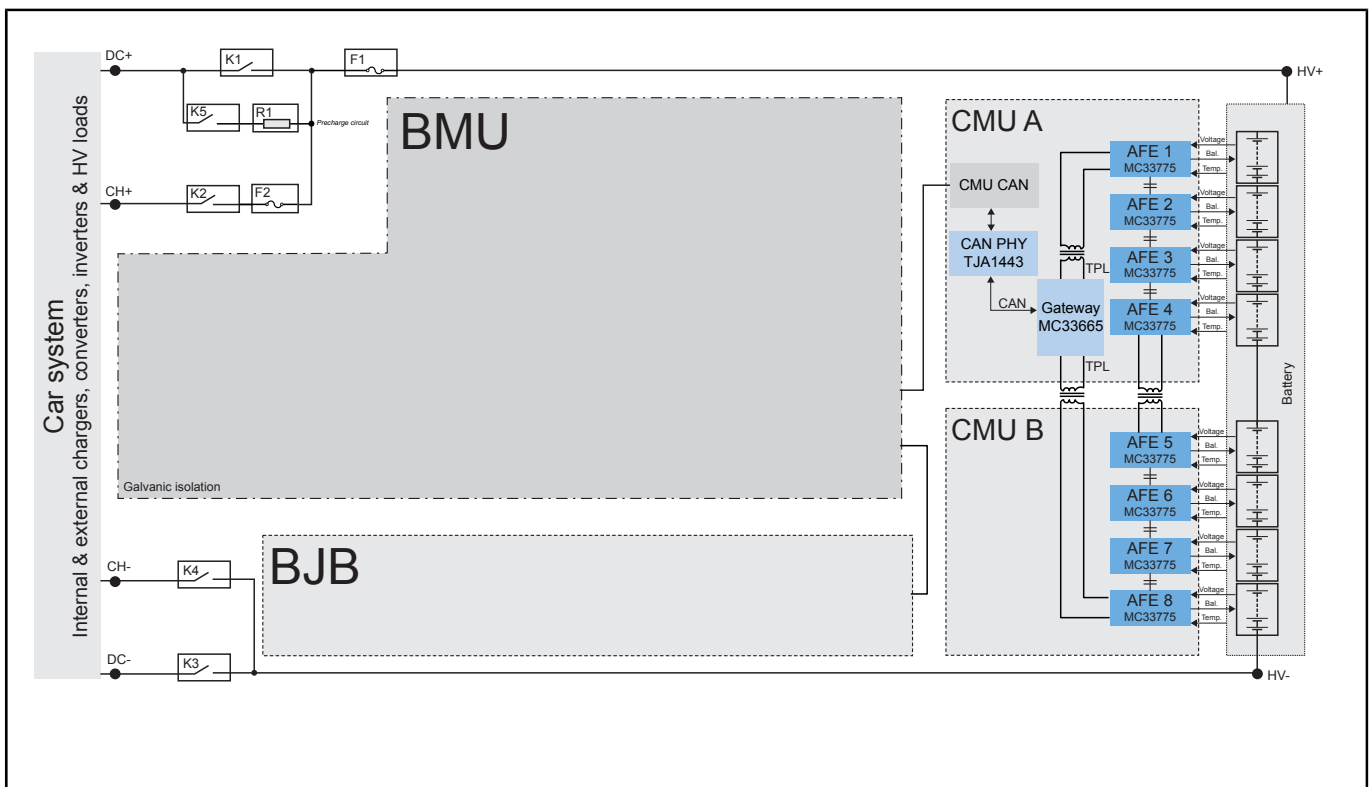
Last Updated: Oct 12, 2023

The cell monitoring unit (CMU) is the cell-sensing part of the BMS. It accurately measures the cell voltages, acquires temperature readings from the battery pack and balances the cells with a current up to 300 mA.

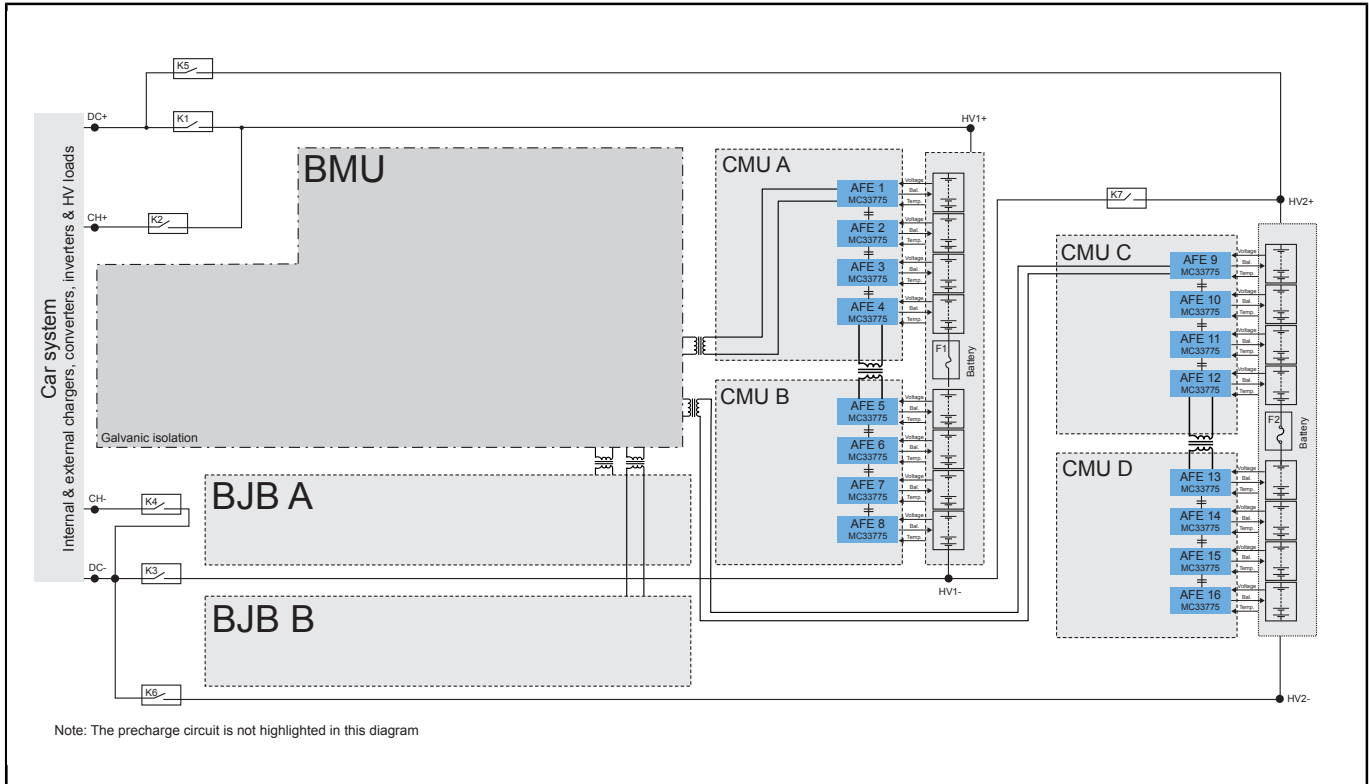
HVBMS-CMU - 400 V using ETPL Block Diagram



HVBMS-CMU - 400 V using CAN Block Diagram



HVBMS-CMU - 800 V using ETPL Block Diagram



View additional information for [HVBMS Cell Monitoring Unit \(CMU\)](#).

Note: The information on this document is subject to change without notice.

www.nxp.com

NXP and the NXP logo are trademarks of NXP B.V. All other product or service names are the property of their respective owners. The related technology may be protected by any or all of patents, copyrights, designs and trade secrets. All rights reserved. © 2024 NXP B.V.