



Advanced High Voltage Isolated Gate Driver with Dynamic Gate Strength Control

GD3162

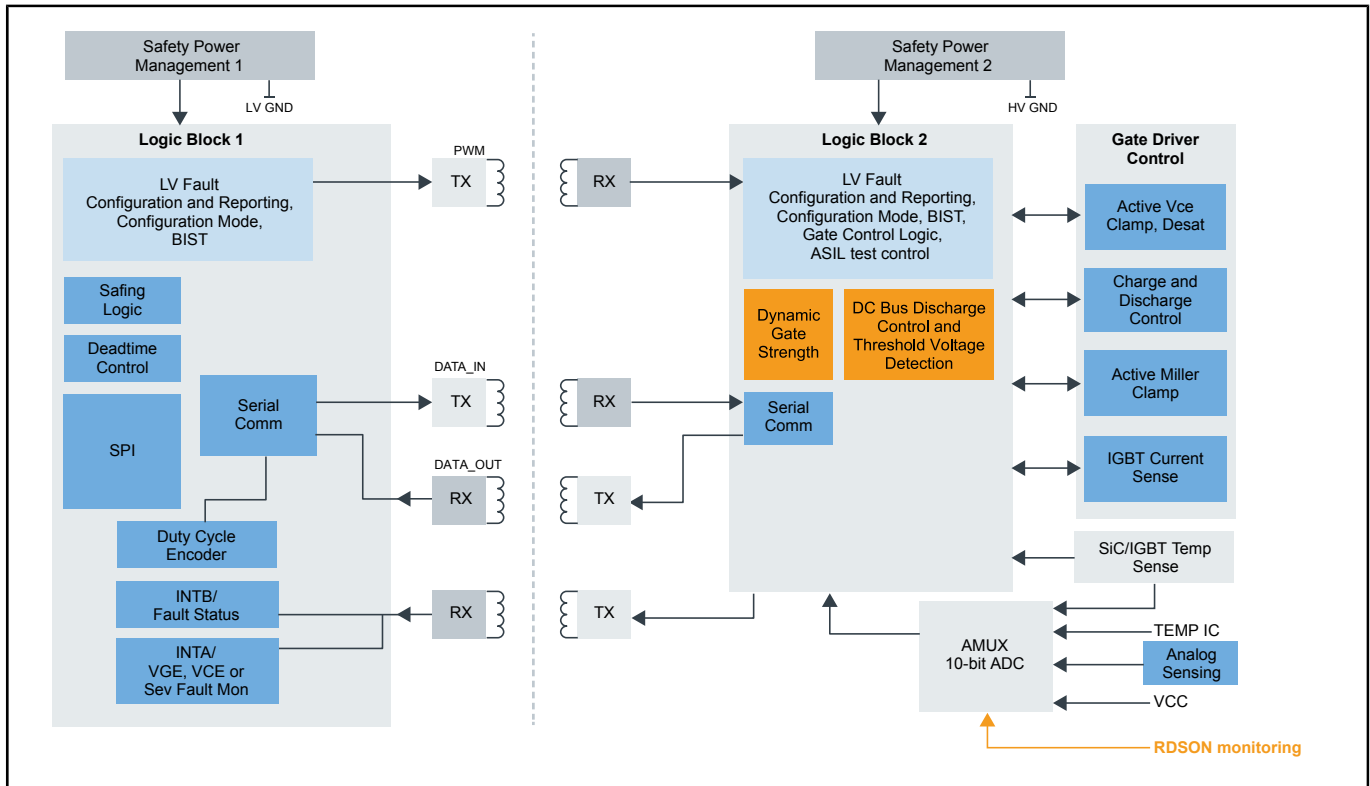
Last Updated: May 9, 2024

The GD3162 is an advanced, galvanically-isolated, single-channel gate driver designed to drive the latest SiC and IGBT modules for xEV traction inverters.

The GD3162 offers an adjustable dynamic gate strength drive via a programmable interface over SPI. In addition, advanced programmable protection features are autonomously managed as faults and the status of the power device and gate driver are reported via the interrupt pins.

The GD3162 is designed for high-functional safety integrity level systems (ASIL C/D) and meets the stringent requirements of automotive applications, being fully AEC-Q100 grade 1 qualified.

GD3162 Block Diagram



View additional information for [Advanced High Voltage Isolated Gate Driver with Dynamic Gate Strength Control](#).

Note: The information on this document is subject to change without notice.

www.nxp.com

NXP and the NXP logo are trademarks of NXP B.V. All other product or service names are the property of their respective owners. The related technology may be protected by any or all of patents, copyrights, designs and trade secrets. All rights reserved. © 2024 NXP B.V.