



Digital Motion Sensor – 3D Accelerometer ($\pm 2g/\pm 4g/\pm 8g$) + 3D Magnetometer

FXOS8700CQ

Not Recommended for New Designs

This page contains information on a product that is not recommended for new designs.

Last Updated: Feb 29, 2024

FXOS8700CQ is EOL and not recommended for new designs. NXP recommends that customers consider the following replacement options:

- [FXLS8971CF](#) or [FXLS8974CF](#) for accelerometer applications
- [NMH1000](#) for magnetic sensing applications

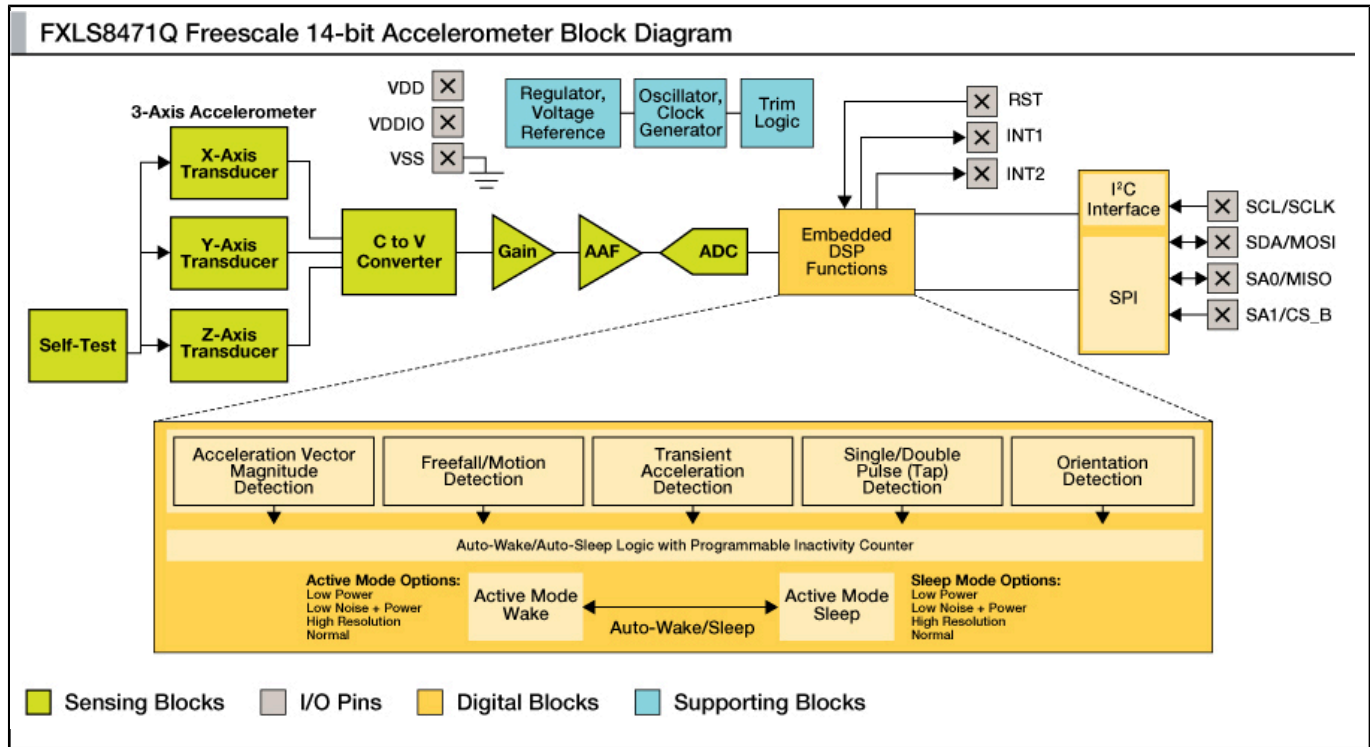
In cases where FXOS8700CQ is absolutely required, customers may reach out to Rochester electronics to check available stock.

The FXLS8471Q accelerometer is highly versatile and ideal for industrial, consumer and automotive high-performance, low-g applications that offer noise density, board mount offset, temperature performance, and sensitivity.

Featuring:

- FXLS8471Q is AEC-Q100, Grade 2 qualified and guaranteed to operate over the extended temperature range of $-40\text{ }^{\circ}\text{C}$ to $+105\text{ }^{\circ}\text{C}$
- Integrated motion detection including tilt, shake and tap detection with a new vector magnitude output that simplifies implementation and reduces power consumption
- A serial peripheral interface that is pin-compatible with our I2C accelerometer portfolio

FXOS8700CQ Block Diagram



View additional information for [Digital Motion Sensor - 3D Accelerometer \(±2g/±4g/±8g\) + 3D Magnetometer](#).

Note: The information on this document is subject to change without notice.

www.nxp.com

NXP and the NXP logo are trademarks of NXP B.V. All other product or service names are the property of their respective owners. The related technology may be protected by any or all of patents, copyrights, designs and trade secrets. All rights reserved. © 2024 NXP B.V.