



# High-speed Two-differential 1-to-2 Switching Chip

## CBTU02044

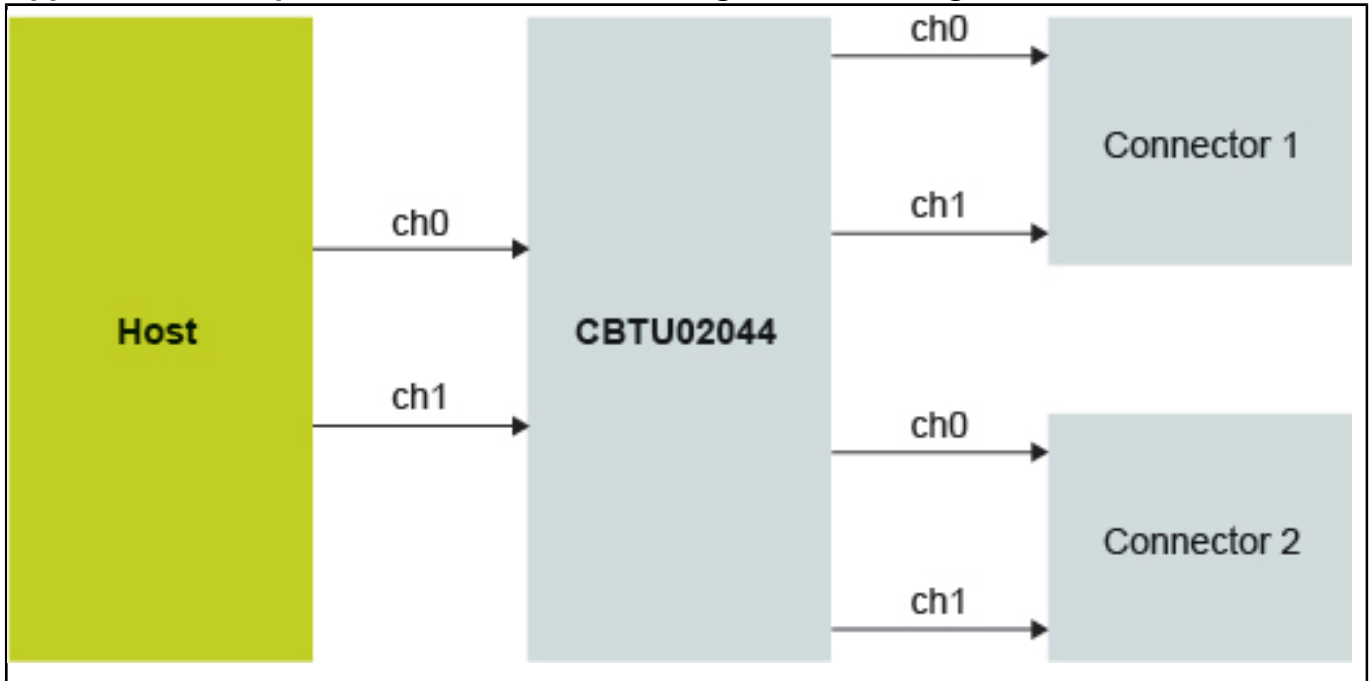
Last Updated: Oct 16, 2023

CBTU02044 is a high-speed differential 1-to-2 switching chip optimized to interface with PCIe4.0 for server and client applications. This high performance switch chip could be used for other high-speed interfaces such as PCIe-Gen4, MIPI, DP1.4 and DDR.

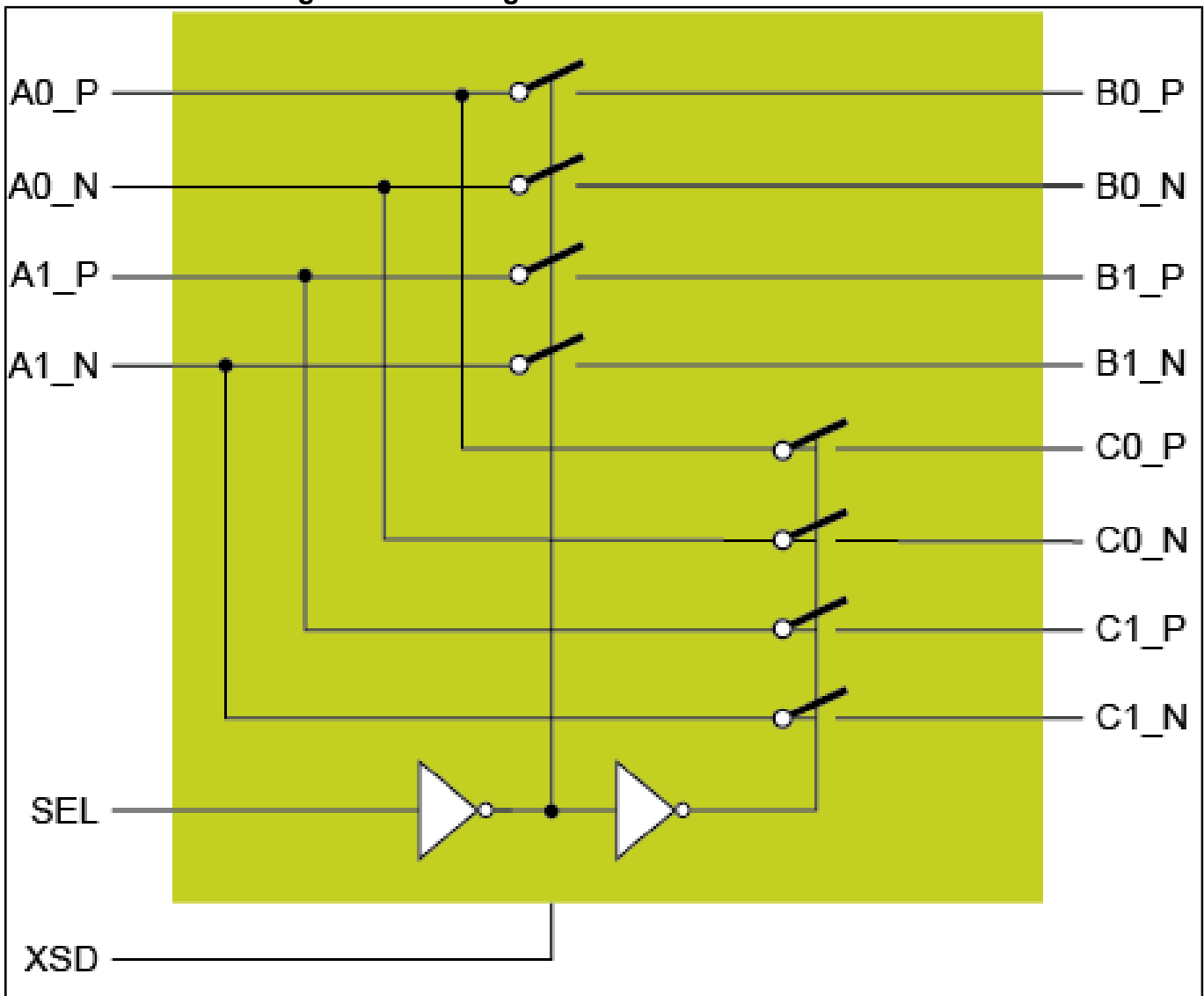
CBTU02044 also functions as a 2-to-1 MUX by selecting 1 (Port A) as output out of one of the two differential ports (either Port B or C). Pinouts are optimized for minimum number of layout layers and for achievement of very low crosstalk to meet stringent crosstalk requirements at higher data rate.

CBTU02044 is a small package with optimized footprint for smaller real estate occupancy and is available in 1.6 mm x 2.4 mm x 0.5 mm HUQFN16 package with 0.4 mm pitch.

### Application Example for CBTU02044 Block Diagram Block Diagram



### CBTU02044 Block Diagram Block Diagram



View additional information for [High-speed Two-differential 1-to-2 Switching Chip](#).

**Note:** The information on this document is subject to change without notice.

---

**[www.nxp.com](http://www.nxp.com)**

NXP and the NXP logo are trademarks of NXP B.V. All other product or service names are the property of their respective owners. The related technology may be protected by any or all of patents, copyrights, designs and trade secrets. All rights reserved. © 2024 NXP B.V.