



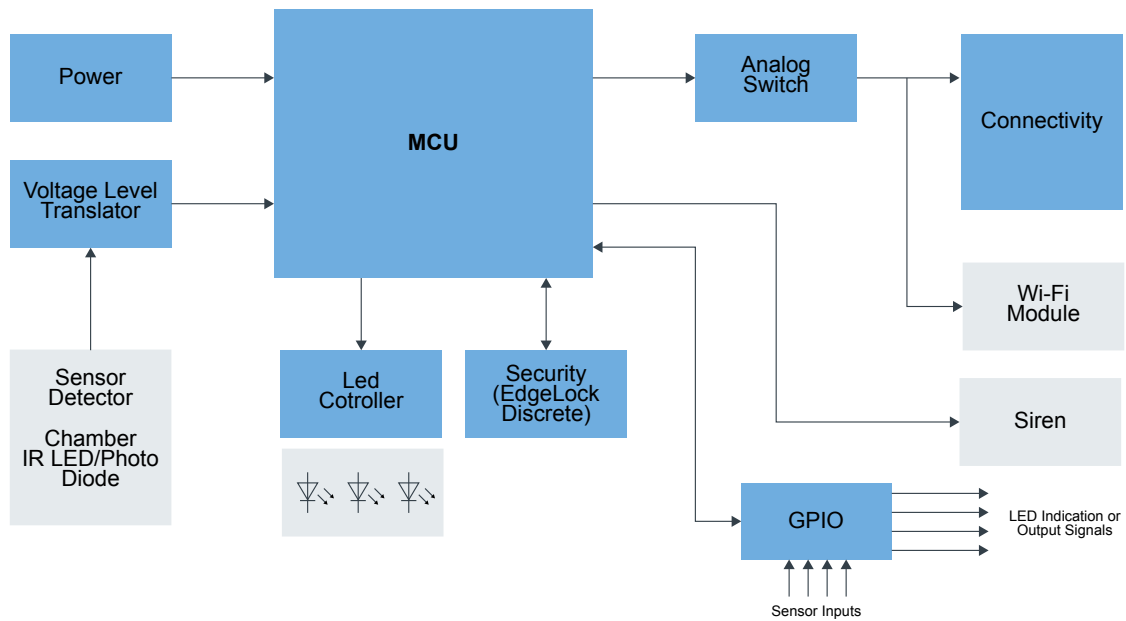
# Building Safety

Last Updated: Mar 14, 2024

Smoke detectors are a vital safety feature of any home or building. They incorporate sensors to detect smoke, fire, carbon monoxide, and other noxious fumes.

Detectors are also becoming more intelligent as they seamlessly connect wirelessly with each other as well as to other parts of a building automation system. Working together with a thermostat and home automation or building gateway, these devices can alert individuals and authorities quicker, reducing the alert time and avoiding property damage and casualties.

## Building Safety Block Diagram



■ NXP Technology   
 ■ Non NXP Technology   
  Optional Technology

### Recommended Products for Building Safety

MCU	<ul style="list-style-type: none"> <li>• <b>KM3x</b>: 50–75 MHz Precision Metrology MCUs with Segment LCDs Based on Arm® Cortex®-M0+</li> <li>• <b>LPC800 Arm Cortex-M0+</b> : LPC800 Series: Low-Cost Arm® Cortex®-M0+-Based MCUs</li> </ul>
Connectivity	<ul style="list-style-type: none"> <li>• <b>88W8977</b>: 2.4/5 GHz Dual-Band 1x1 Wi-Fi® 4 (802.11n) + Bluetooth® 5.2 Solution</li> <li>• <b>QN9090-30</b>: QN9090/30: Bluetooth Low-Energy MCU with Arm® Cortex®-M4 CPU, Energy Efficiency, Analog and Digital Peripherals and NFC Tag Option</li> </ul>
Power	<ul style="list-style-type: none"> <li>• <b>TEA1721AT</b>: HV Start-Up Flyback Controller with Integrated MOSFET for 5 W Applications, F~burst = 430 Hz</li> </ul>



	<ul style="list-style-type: none"> <li>• <a href="#">PCAL9722</a>: 22-Bit SPI I/O Expander with Agile I/O Features</li> </ul>
Air Conditioning GPIO	<ul style="list-style-type: none"> <li>• <a href="#">PCAL9714</a>: 14-Bit SPI I/O Expander with Agile I/O Features</li> <li>• <a href="#">PCAL9722</a>: 22-Bit SPI I/O Expander with Agile I/O Features</li> </ul>
Air Conditioning GPIO	<ul style="list-style-type: none"> <li>• <a href="#">MCX-A14X-A15X</a>: MCX A14x/15x MCUs with Arm® Cortex® M33, Scalable Device Options, Low Power and Intelligent Peripherals</li> <li>• <a href="#">MCX-N94X-N54X</a>: MCX N94x/54x Highly Integrated Multicore MCUs with On-Chip Accelerators, Intelligent Peripherals and Advanced Security</li> <li>• <a href="#">PCAL9714</a>: 14-Bit SPI I/O Expander with Agile I/O Features</li> <li>• <a href="#">PCAL9722</a>: 22-Bit SPI I/O Expander with Agile I/O Features</li> </ul>

View our complete solution for [Building Safety](#).

**Note:** The information on this document is subject to change without notice.

---

**[www.nxp.com](http://www.nxp.com)**

NXP and the NXP logo are trademarks of NXP B.V. All other product or service names are the property of their respective owners. The related technology may be protected by any or all of patents, copyrights, designs and trade secrets. All rights reserved. © 2024 NXP B.V.